

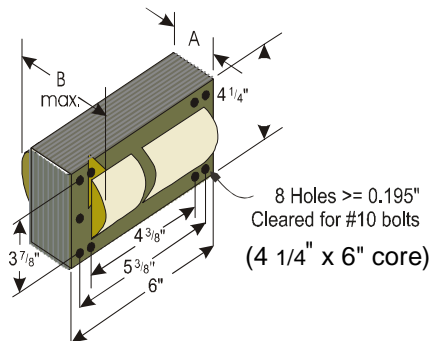


HID BALLAST KIT

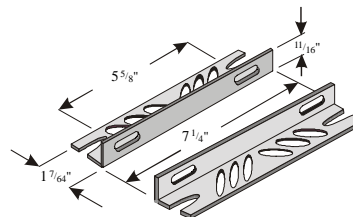


Model No:	1XUE5	Capacitance	24 μ F \pm 3%	
Input Voltage	120/208/240/277V	Minimum Volts	480V	
Frequency	60Hz			
Circuit Type	CWA			
Input Power	1080W	Oil	A	1.77"
Power Factor	\geq 90%		B	2.80"
Operating Current	9.0/5.2/4.5/4.0 A		Height	3.94"
Open Circuit Voltage	420 (400-440V)	Case Max. Temperature	90°C Oil	
Short Circuit Current (Sec.)	4.80 - 6.80 A	Ignitor	-	
Ballast Type	Metal Halide / Mercury			
Watts	1000W			
ANSI Code	M-47 / H-36	Min. Starting Temp.	-20°F / -30°C	
A	2.83"	Weight	21 lbs.	
B	4.90"	Leads	12"-Cross Link Polyolefin	
UL 1029 Bench Top Rise Code	B/B/B/B	Regulation	\pm 5% Input Volts ~ \pm 5% Nom. Lamp Watts	

Dimensions



Bracket Kit





HID BALLAST KIT



1XUE5
4MH/MV1000SC



1 1XUE5

Mfg. for Grainger International Inc.
Lake Forest, IL 60045
Made in China

Metal Halide-Mercury Vapor 1000W

Quad Tap - 60Hz. 120V/208V/240V/277V

Current Ratings: 9.0A/5.0A/4.5A/3.9A

For: 1-1000Watt M-47MHLamp or H-36MVLamp

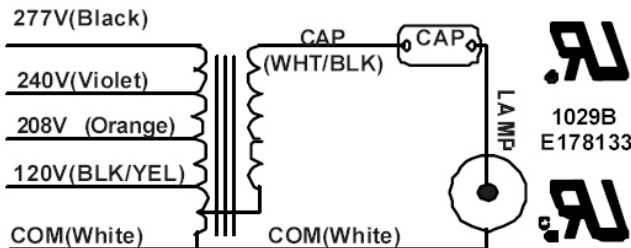
O.C.V. -421V HIGH POWER FACTOR

CAP: 24mfd 480V DIS: max 2.10 megohms

CLASS H, 180°C INSULATION SYSTEM-1029B

CONSTANT WATTAGE AUTOTRANSFORMER

Install in Accordance with National and Local
Electrical Codes



Ground Ballast Core and Metallic Capacitor Case

FIXTURE TEST DATA: INPUT CURRENT

VOLTAGE	OPEN CIRCUIT	SHORT CIRCUIT
120V	1.9-5.6A	3.7-11.2A
208V	1.1-3.3A	2.2 - 6.5A
240V	1.0-2.9A	1.9 - 5.7A
277V	0.8-2.5A	1.6 - 4.9A

OCV: 340-470V

SHORT CKT SEC.: 4.2-6.5A