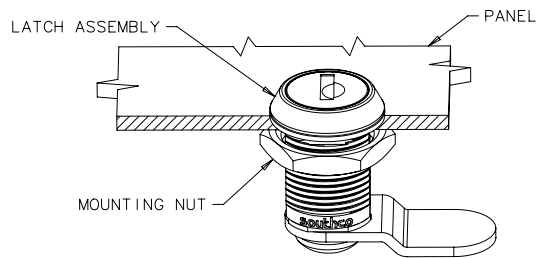
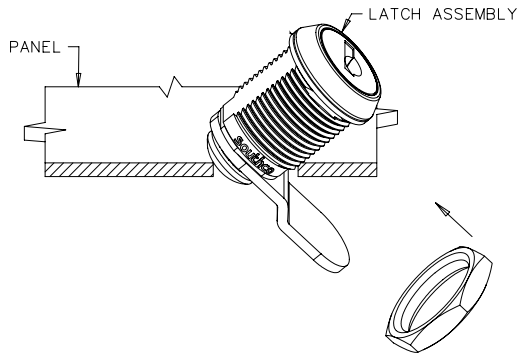


INSTALLATION METHOD 1

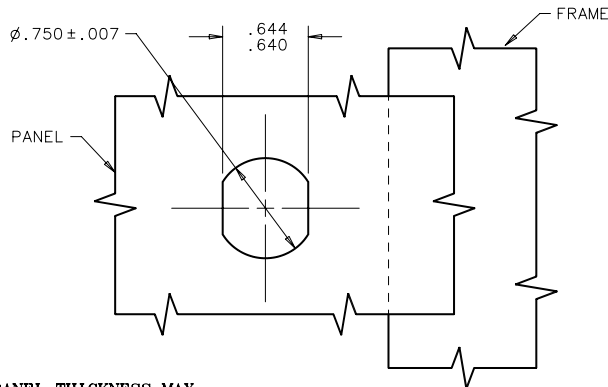
USE WHEN CAM IS ASSEMBLED TO LATCH ASSEMBLY.

TILT LATCH THROUGH MOUNTING HOLE.

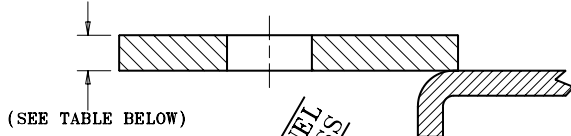
INSTALL MOUNTING NUT AND TIGHTEN TO 5 N·m (44 IN-LBS) MAX.



PANEL PREPARATION



PANEL THICKNESS MAX



(SEE TABLE BELOW)

HOUSING LENGTHS

MAX PANEL THICKNESS

1 = .625	.281
2 = .875	.531
6 = 1.125	.781
3 = 1.375	1.031
4 = 1.625	1.281
5 = 1.875	1.531

INSTALLATION METHOD 2

SUGGESTED IF CAM ORDERED SEPARATELY OR IF PART CAN NOT BE INSTALLED AS AN ASSEMBLY.

1. REMOVE SCREW FROM HOUSING SUBASSEMBLY.
2. THROUGH MOUNTING HOLE. PLACE LATCH
3. INSTALL MOUNTING NUT AND TIGHTEN TO 5 N·m (44 IN-LBS) MAX.
4. INSTALL CAM TO LATCH ASSEMBLY.
5. INSTALL SCREW. TIGHTEN TO 4 N·m (35.4 IN-LBS) MAX WITH A No. 2 PHILLIPS DRIVER.

