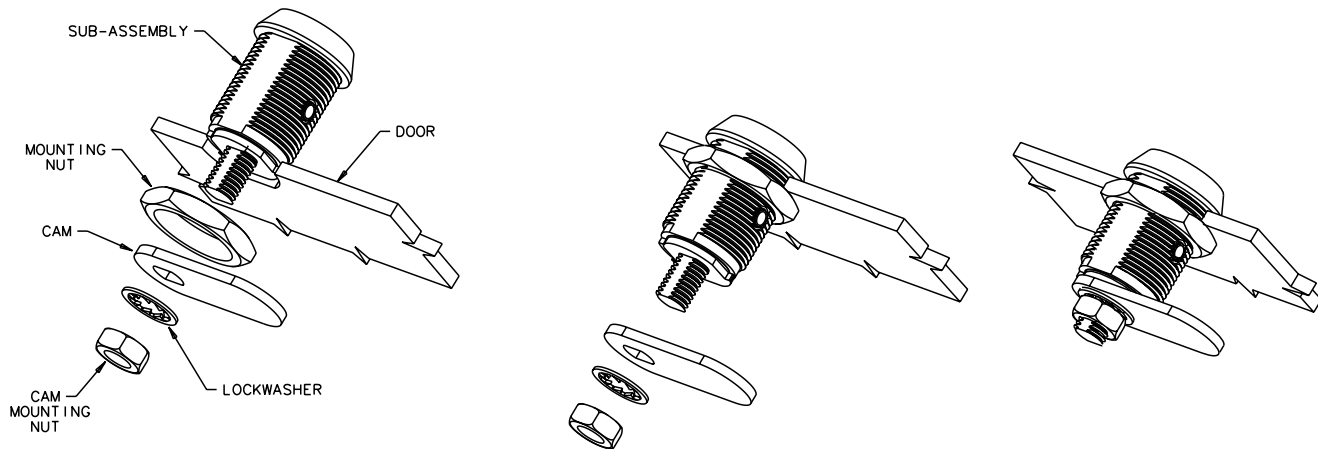
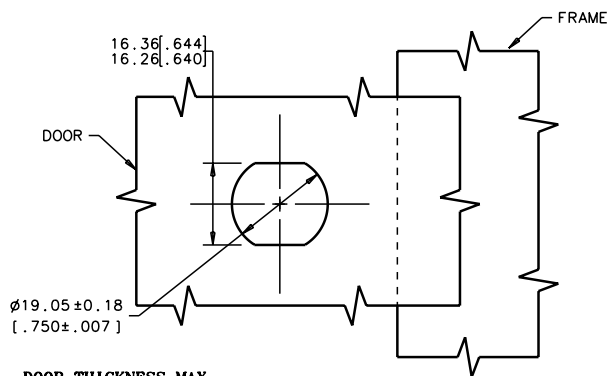


INSTALLATION METHOD

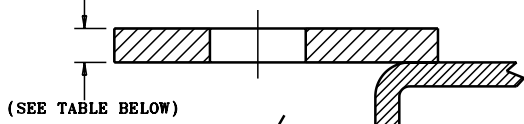
1. PLACE LATCH THROUGH MOUNTING HOLE.
2. INSTALL MOUNTING NUT AND TIGHTEN TO 5 N·m (44 IN-LBS).
3. INSTALL CAM TO LATCH ASSEMBLY.
4. INSTALL LOCKWASHER AND CAM MOUNTING NUT. TIGHTEN NUT TO 2 N·m (17.7 IN-LBS).



MOUNTING HOLE DIMENSIONS



DOOR THICKNESS MAX



HOUSING LENGTHS

MAXIMUM DOOR THICKNESS

1 = 12.7 (.50)	5.1 (.20)
2 = 17.5 (.69)	11 (.43)
3 = 23.8 (.94)	16.1 (.63)
4 = 30.5 (1.20)	23.1 (.91)
5 = 36.5 (1.44)	28.9 (1.14)

90° CLOCKWISE CAM ROTATION INTO LOCKED POSITION SHOWN

