

M-7752 2

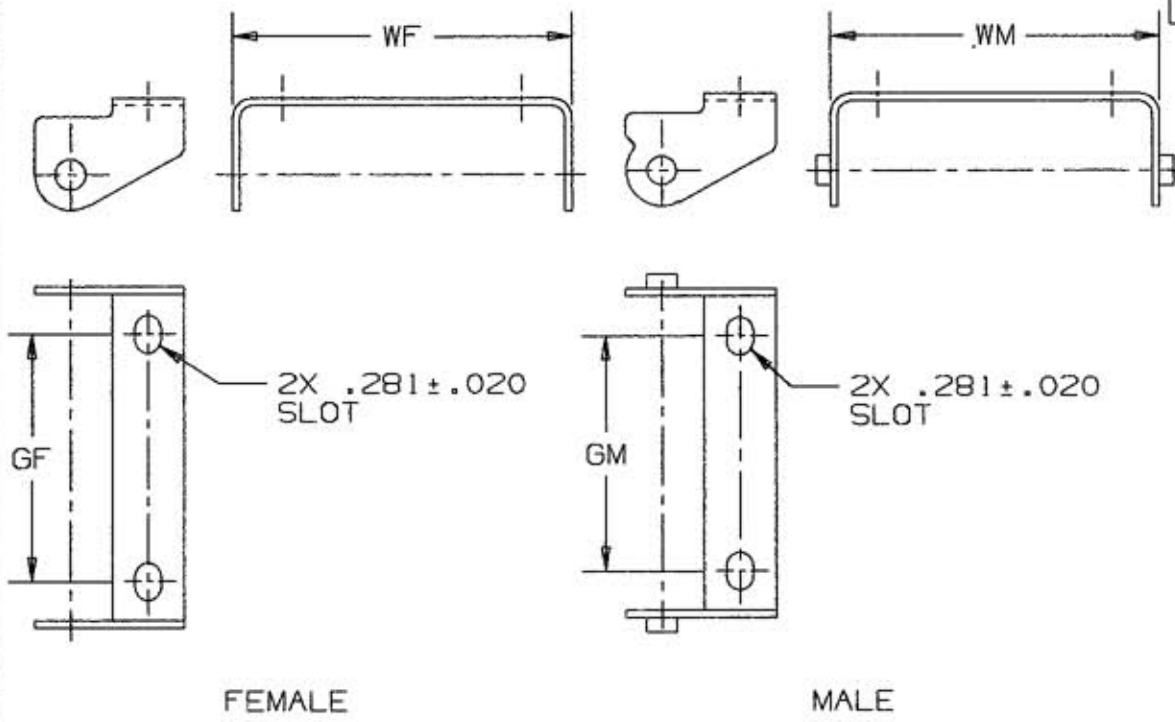


FIG. 2

CATALOG NUMBER	FIG.	WF	WM	R ±.03	C ±.05	D ±.02	GF ±.12	GM ±.12	T TRAVEL	TRACK LGTH (REF)
HCT16119K	1,2	1.97	1.84	1.91	5.44	1.50	.99	.87	3 FT	4 FT
HCT16119I	1								1 FT	1 FT
HCT16134K	1,2	1.97	1.84	3.44	8.50	1.50	.99	.87	3 FT	4.5 FT
HCT16134I	1								1 FT	1 FT
HCT16219K	1,2	2.75	2.63	1.91	5.44	2.28	1.78	1.65	3 FT	4 FT
HCT16219I	1								1 FT	1 FT
HCT16234K	1,2	2.75	2.63	3.44	8.50	2.28	1.78	1.65	3 FT	4.5 FT
HCT16234I	1								1 FT	1 FT
HCT16334K	1,2	3.55	3.42	3.44	8.50	3.08	2.57	2.44	3 FT	4.5 FT
HCT16334I	1								1 FT	1 FT
HCT16434K	1,2	4.53	4.41	3.44	8.50	4.06	3.56	3.47	3 FT	4.5 FT
HCT16434I	1								1 FT	1 FT
HCTBK161	2	1.97	1.84				.99	.87		
HCTBK162	2	2.75	2.63				1.78	1.65		
HCTBK163	2	3.55	3.42				2.57	2.44		
HCTBK164	2	4.53	4.41				3.56	3.47		

IF "T" = 1 FT, THEN SEE NOTE 2.

- NOTES: UNLESS OTHERWISE SPECIFIED
- HCT16\_\_\_K PARTS ARE SUPPLIED WITH MOUNTING BRACKETS.
  - CATALOG NUMBERS WITH HCT16\_\_\_I ARE EXTENDER KITS FOR SIMILAR CABLE TRAK CONFIGURATIONS, AND ARE NOT SUPPLIED WITH MOUNTING BRACKETS.
  - MAX. CABLE O.D.: HCT16\_19\_ = .382 IN.  
HCT16\_34\_ = .688 IN.
  - TRAVEL CAN BE DOUBLED IF CABLE TRAK IS TERMINATED AT MACHINE TRAVEL CENTER.
  - TOTAL TRAVEL (SELF SUPPORTED) NO SAG = 9 FT. WITH SAG = 13.5 FT.

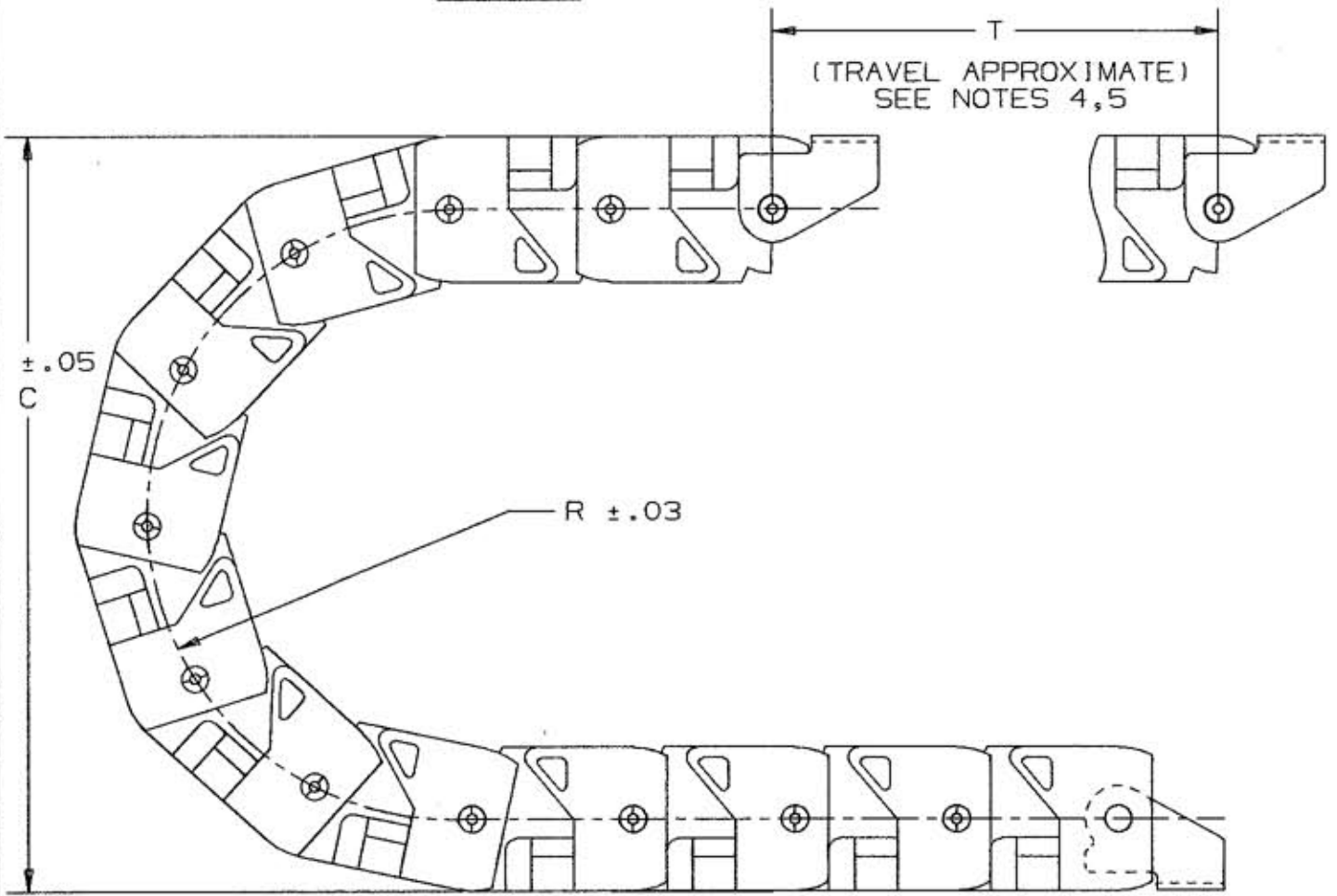
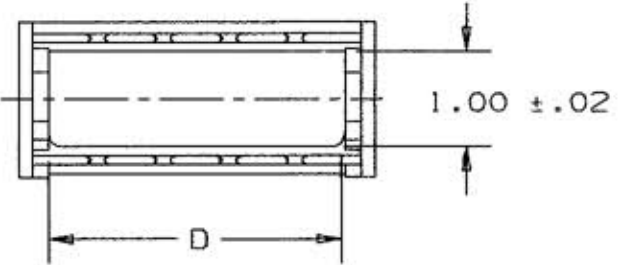


FIG. 1



LIST OF PARTS

DESCRIPTION	MATERIAL	FINISH
LINK	GLASS REINF. NYLON 6	BLACK
BRACKET	STEEL	BLACK COATED

DIMENSION SHEET FOR CAT. NO.

REPAIRABLE

NON-REPAIRABLE

M-7752

2

SYM	REVISIONS	APP	DATE
2	ADDED HCT16119K, HCT16119I, HCT16219K, HCT16219I, HCTBK161, 162, 163, AND 164 CAT NO.'S, ADDED "FIG.", "WF", "WM", "R", "C" AND "TRACK LGTH" COLUMNS TO CHART. "C" DIM WAS 8.50, "R" DIM WAS 3.44, NOTE 3 WAS MAX. CABLE O.D. = .688 IN. PER DCN #6323 R.T.K.	FFS	10/27/98
1	"X" REMOVED; LAST X-REVISION WAS X-0. RELEASED FOR PRODUCTION PER DCN #5250 JMN	JLW	7/9/97

THE DESIGN AND DIMENSIONS OF THE PRODUCT SHOWN ON THIS DRAWING ARE SUBJECT TO CHANGE WITHOUT NOTICE

TITLE  
CABLE TRAK

TOLERANCES UNLESS OTHERWISE SPECIFIED	WIRING DEVICE-KELLEMS HUBBELL INCORPORATED BRIDGEPORT, CT	
FRACTIONS ±1/64	DR. BY JLW	APP. BY FFS
DECIMALS ±.005	TR. BY	SCALE
ANGLES ±2°	CHK'D BY FFS	DATE 6-2-97