



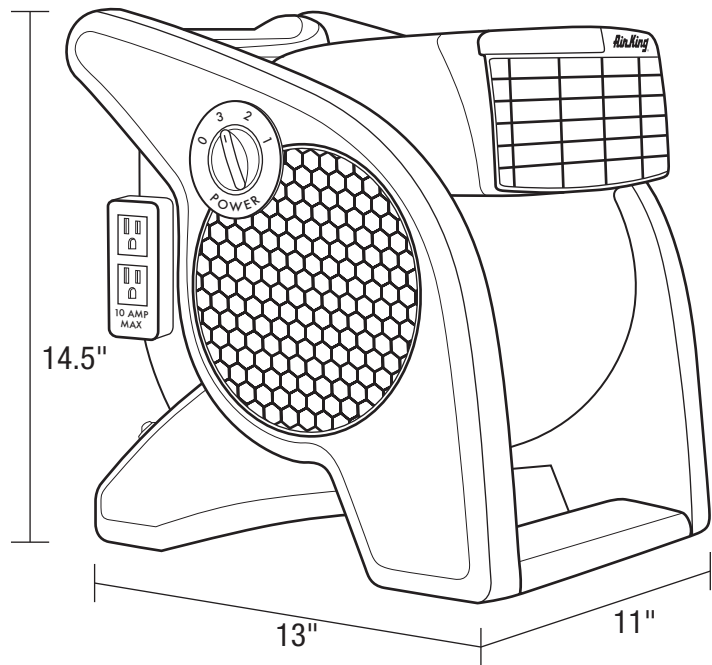
SPECIFICATIONS

9555

COMMERCIAL FANS

Pivoting High Velocity Blower

- **Motor**
3-speed, 1/13 HP, 120V, 1 phase, ball bearing, permanently lubricated, permanent split capacitor
- **Fan Blade**
7" x 7" blower wheel
- **Controls**
Side mounted rotary dial switch
- **Power Cord**
Black, 7', 3-conductor with GFCI, SO type
- **Outlets**
Two 120 Volt outlets protected by a 10 amp resettable breaker
- **Pivoting Head**
Fan head pivots 225°
- **Construction**
Molded ABS Plastic
- **Compliance**
ETL, OSHA
- **Product Dimensions**
13"L x 11"W x 14.5"H
- **Shipping Information**
UPC: 0-46013-43620-7
Shipping Weight: 12.8 lbs.



MODEL	CFM			RPM			AMPS			WATTS			DB A		
	HIGH	MED	LOW	HIGH	MED	LOW	HIGH	MED	LOW	HIGH	MED	LOW	HIGH	MED	LOW
9555	350	300	250	1440	1295	875	0.95	0.80	0.70	110	95	85	77	73	69



U.S.: 820 Lincoln Drive
West Chester, Pennsylvania 19380-4466
Tel: (610) 692-7400 • 877-304-3785
Fax: (610) 696-8048