

Operating Instruction and Parts Manual

Model 1VER1

Please read and save these instructions. Read through this owner's manual carefully before using product. Protect yourself and others by observing all safety information, warnings, and cautions. Failure to comply with instructions could result in personal injury and/or damage to product or property. Please retain instructions for future reference.

WESTWARD®

NON CONTACT LASER INFRARED THERMOMETER

USE:

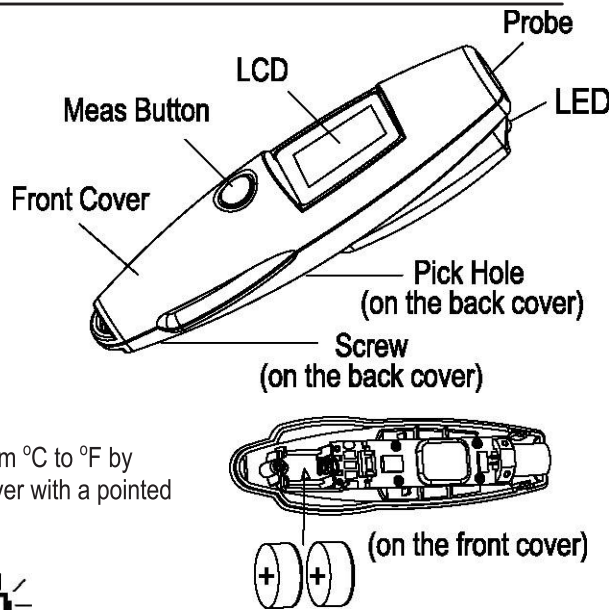
Simply aim the thermometer at the target with the probe and press the Meas. Button to display the surface temperature.

The distance to target diameter ratio (Distance:Spot) is 1:1 therefore the device should be positioned as close to the target as possible.

Note: The LED lamp will automatically turn on with a measurement.

°C OR °F MODE:

The temperature unit can be changed from °C to °F by pressing the pick hole under the back cover with a pointed object.



BATTERY REPLACEMENT:



When the icon above flashes in the LCD, that indicates the battery is low and should be replaced. Confirm the unit is OFF, loosen the screw on the back cover and replace with (2) 5U085, LR44, 1.5v cell batteries.

** Dispose of used batteries properly and keep away from children.

SPECIFICATIONS

Temperature Range	-27.4 to 230°F / -33 to 100°F
Operating Range	32 to 122°F / 0 to 50°C
Storage Temperature	-4 to 149°F/-20°C to 65°C
Accuracy(Tamb=23±3°C)	+/- 2.5% of reading or +/-2.5°C(4.5°F) whichever is greater
Response Time	1 second
Emissivity	0.95 fixed
Battery Life	30 continuous hours
Auto Power Off	15 seconds

EMC/RFI

Reading may be affected if the unit is operated within a radio frequency electromagnetic field strength of approximately 3 volts per meter, but the performance of the instrument will not be permanently affected.

LIMITED 1 YEAR WARRANTY

Should this product fail to perform satisfactorily due to a defect or poor workmanship within 1 YEAR from the date of purchase, return it to the place of purchase and it will be replaced, free of charge. Incidental or consequential damages are excluded from this warranty.

Manufactured for Grainger International, Inc.
100 Grainger Pkwy., Lake Forest , IL 60045 USA

RAD007

PRINTED IN CHINA

06/06

