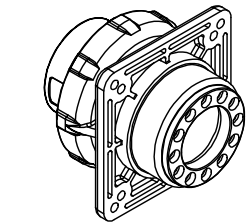
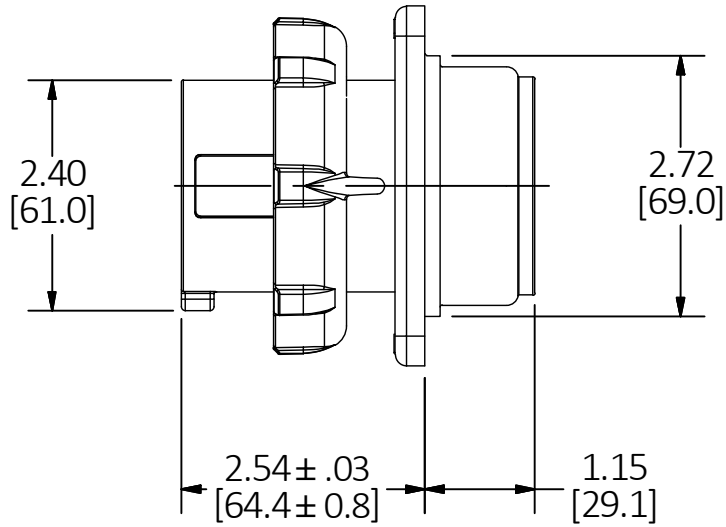
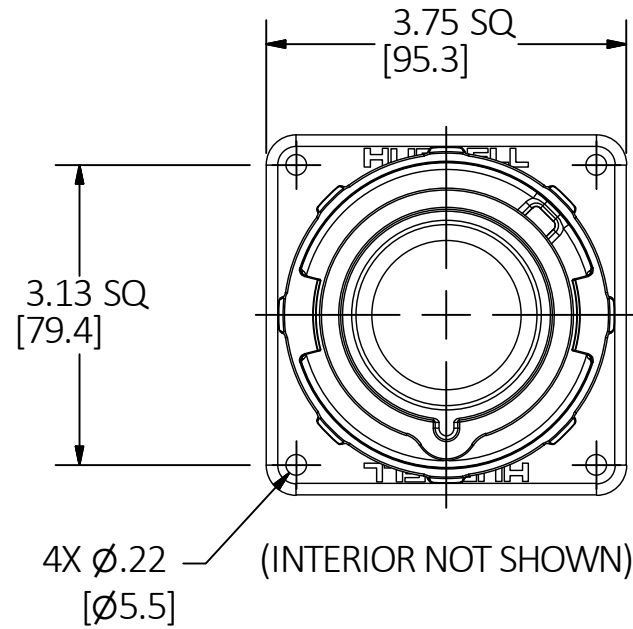


M-13339

2



LIST OF PARTS		
DESCRIPTION	MATERIAL	FINISH
HOUSING	PBT	
GASKET	RUBBER	
LOCKING RING	PBT	
INTERIOR	THERMOSET	
PINS	BRASS	
TERM. SCREWS	ST. STEEL	
GLAND CAP	PBT	
GLANDS	RUBBER	
CLAMPS	PBT	
CLAMP NUTS	BRASS	NICKEL
ASSY SCREWS	ST. STEEL	

DIMENSION SHEET FOR CAT. NO. SEE TABLE

CAT. NO.	CONFIG.	RATING	HOUSING COLOR
HBL516B1W		BARGE OVERFILL CONTROL	BLUE
HBL520B5W		20A 347/600VAC 3Ø	BLACK
HBL520B6W		20A 240/415VAC 3Ø 16A - 6h/200/346-240/415V~	RED
HBL520B7W		20A 277/480VAC 3Ø	RED
HBL520B9W		20A 120/208VAC 3Ø 16A - 9h/120/208-144/250V~	BLUE

REV	DESCRIPTION	APP	DATE
2	REVISED HBL520B6W RATING PAD INFO PER DCN 22751 Mr.B	TLS	11/15/16
1	INITIAL RELEASE PER DCN 21982 Mr.B	TLS	3/10/16

THE DESIGN AND DIMENSIONS OF THE PRODUCT SHOWN ON THIS DRAWING ARE SUBJECT TO CHANGE WITHOUT NOTICE. DIMENSIONS ARE IN INCHES [mm].

TITLE  
16A & 20A 4 POLE 5 WIRE PIN AND SLEEVE INLET



WIRING DEVICE-KELLEMS  
HUBBELL INCORPORATED  
SHELTON, CT

TOLERANCES UNLESS OTHERWISE SPECIFIED  
.XX = ± .01  
.XXX = ± .005  
ANGLE TOL. ±2°

DR. BY	Mr.B	SCALE	1:2
CHK. BY	TLS	DATE	3/2/16

B

M-13339

2