

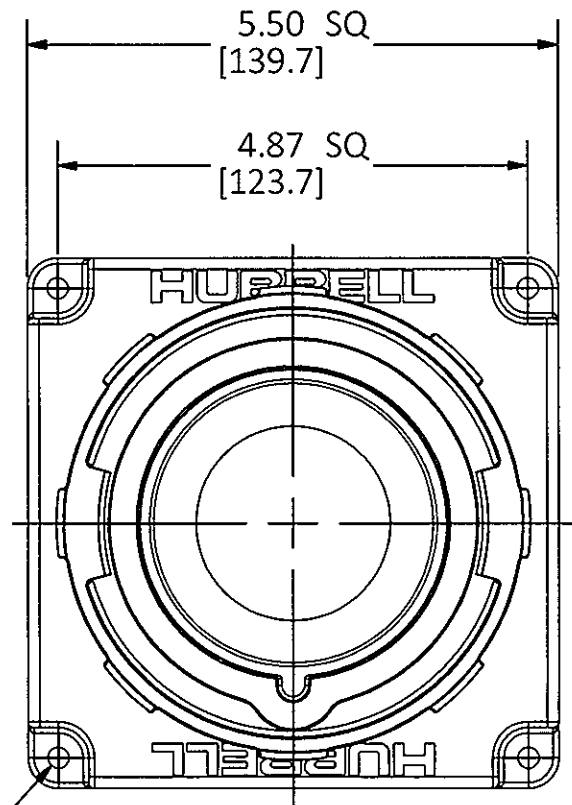
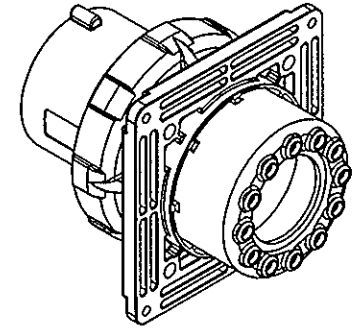
M-13347

1

LIST OF PARTS

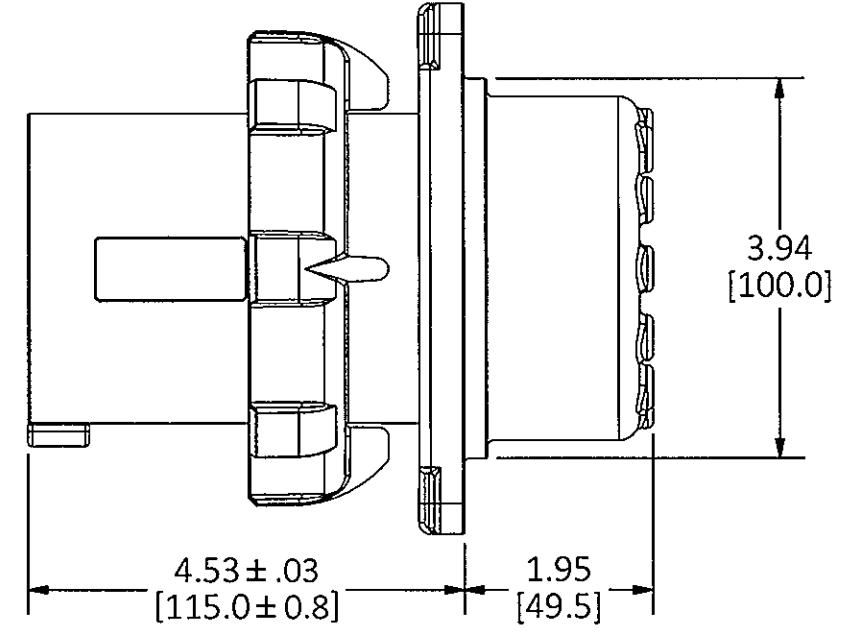
DESCRIPTION	MATERIAL	FINISH
HOUSING	PBT	
GASKET	RUBBER	
LOCKING RING	PBT	
INTERIOR	THERMOSET	
PINS	BRASS	
TERM. SCREWS	ST. STEEL	
GLAND CAP	PBT	
GLANDS	RUBBER	
CLAMPS	PBT	
CLAMP NUTS	BRASS	NICKEL
ASSY SCREWS	ST. STEEL	

DIMENSION SHEET FOR CAT. NO. SEE TABLE



4X Ø.22  
[Ø5.5]

(INTERIOR NOT SHOWN)



CAT. NO.	CONFIG.	RATING	HOUSING COLOR	PILOT
HBL4100B5W		100A 600VAC 3Ø	BLACK	NO
HBL4100B5WP		100A 600VAC 3Ø	BLACK	YES
HBL4100B6W		100A 380-415VAC 3Ø 125A - 6h/380-415V~	RED	NO
HBL4100B6WP		100A 380-415VAC 3Ø 125A - 6h/380-415V~	RED	YES
HBL4100B7W		100A 480VAC 3Ø	RED	NO
HBL4100B7WP		100A 480VAC 3Ø	RED	YES
HBL4100B9W		100A 250VAC 3Ø 125A - 9h/200-250V~	BLUE	NO
HBL4100B9WP		100A 250VAC 3Ø 125A - 9h/200-250V~	BLUE	YES
HBL4100B12W		100A 125/250VAC	ORANGE	NO
HBL4100B12WP		100A 125/250VAC	ORANGE	YES

CAGE CODE 74545

1	INITIAL RELEASE PER DCN 21982 Mr.B	TLS	3/10/16
REV	DESCRIPTION	APP	DATE

THE DESIGN AND DIMENSIONS OF THE PRODUCT SHOWN ON THIS DRAWING ARE SUBJECT TO CHANGE WITHOUT NOTICE. DIMENSIONS ARE IN INCHES [mm].

TITLE  
100A & 125A 3 POLE 4 WIRE PIN AND SLEEVE INLET



WIRING DEVICE-KELLEMS  
HUBBELL INCORPORATED  
SHELTON, CT

TOLERANCES UNLESS OTHERWISE SPECIFIED .XX = ±.01 .XXX = ±.005 ANGLE TOL. ±2	DR. BY Mr.B	SCALE 1:2
	CHK. BY TLS	DATE 3/2/16

B

M-13347

1