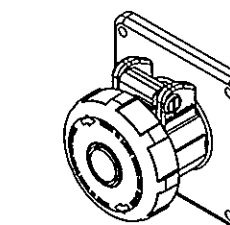
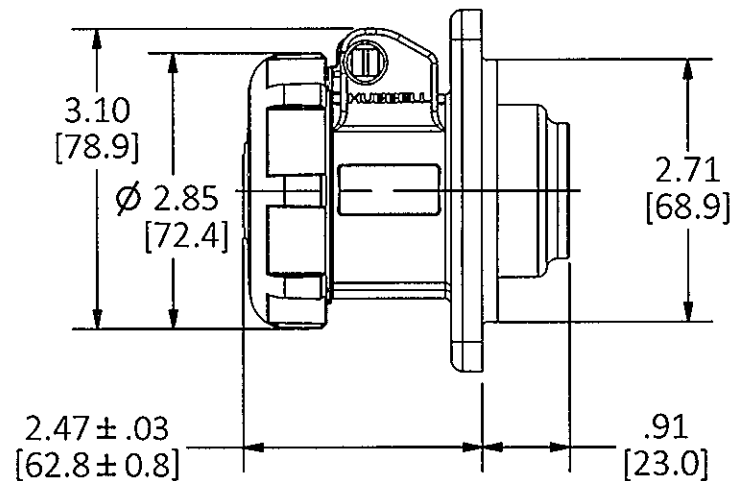
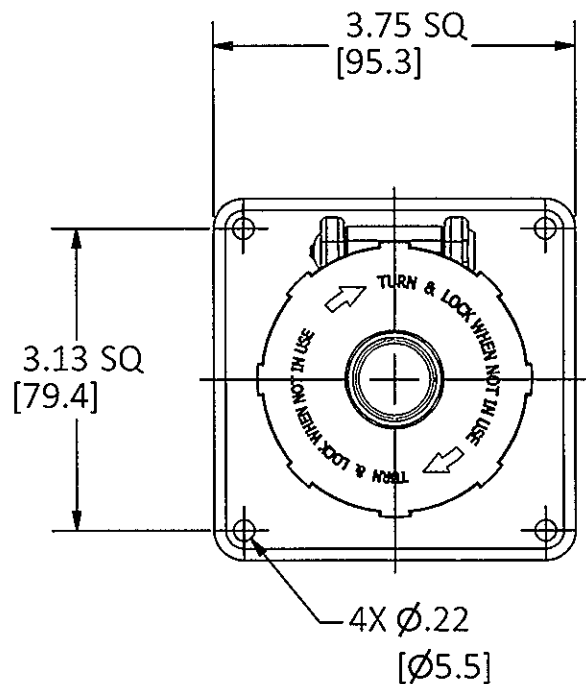
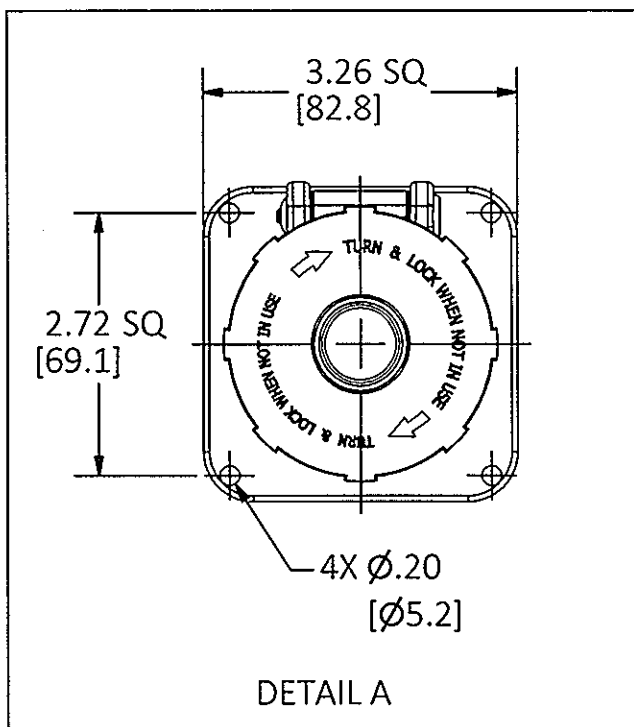


M-13313

1



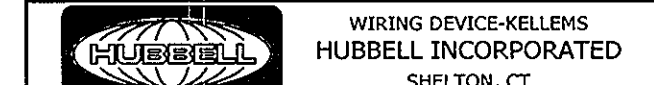
LIST OF PARTS		
DESCRIPTION	MATERIAL	FINISH
HOUSING	PBT	
INTERIOR	THERMOSET	
SLEEVES	BRASS	
SLEEVE SPRINGS	ST. STEEL	
TERMINAL SCR.	ST. STEEL	
COVER	PBT	
GASKET	CLOSED CELL FOAM	
HINGE ARM	PBT	
HINGE PIN	BRASS	NICKEL
HINGE SPRING	ST. STEEL	
GLAND CAP	PBT	
GLANDS	NEOPRENE	
CLAMPS	PBT	
CLAMP NUTS	BRASS	NICKEL
ASSY. SCREWS	ST. STEEL	

CAT. NO.	CONFIG.	RATING	HOUSING COLOR	COMMENTS
HBL320R4W		20A 125VAC	YELLOW	
HBL316R4W		16A - 4h/100-130V~	YELLOW	
HBL320R6W		20A 250VAC 16A - 6h/200-250V~	BLUE	
HBL320R7W		20A 480VAC	RED	
HBL320R4WMIL		20A 125VAC	YELLOW	SEE DETAIL A

1	INITIAL RELEASE PER DCN 21982 Mr. B	TLS	3/10/16
REV	DESCRIPTION	APP	DATE

THE DESIGN AND DIMENSIONS OF THE PRODUCT SHOWN ON THIS DRAWING ARE SUBJECT TO CHANGE WITHOUT NOTICE. DIMENSIONS ARE IN INCHES [mm].

TITLE
20A & 16A 2 POLE 3 WIRE PIN AND SLEEVE RECEPTACLE



TOLERANCES UNLESS OTHERWISE SPECIFIED .XX = ± .01 .XXX = ± .005 ANGLE TOL. #2	DR. BY Mr. B	SCALE 1 : 2
	CHK. BY TLS	DATE 3/2/16

DIMENSION SHEET FOR CAT. NO.

SEE TABLE

B

M-13313

1