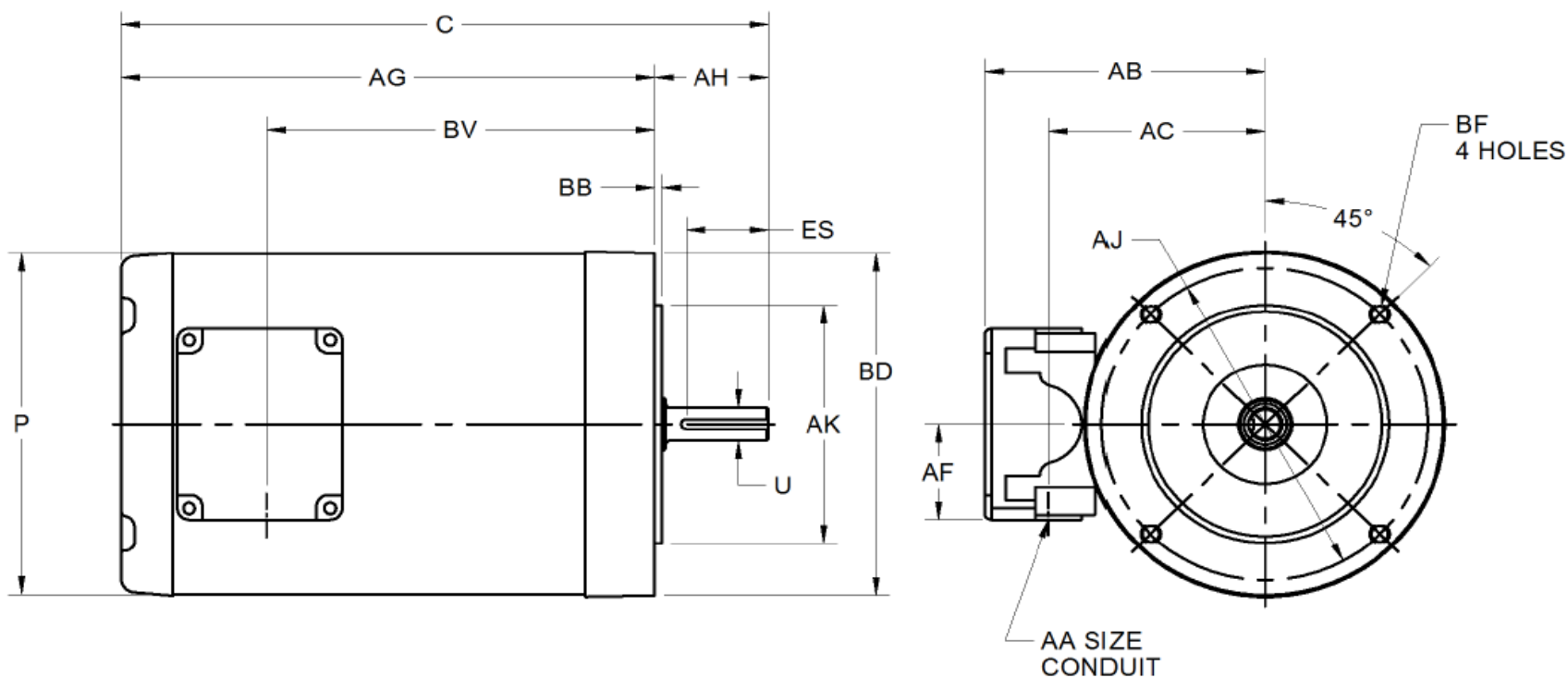


Dimensional Drawing



1TTA4BH	REV. -
----------------	-----------



ALL DIMENSIONS ARE IN INCHES AND MILLIMETERS

UNITS	C	P ²	U -.0005	AA	AB	AC	AF	AG	AH	AJ	AK -.003
IN	11.75	6.50	.6250	1/2 NPT	5.13	3.97	1.81	9.89	2.06	5.875	4.500
mm	298	165	15.875		130	101	46	246	52	149.23	114.30

UNITS	BB	BD	BF ³	BV	ES MIN	SQ KEY
IN	.13	6.500	3/8-16 X .75	7.06	1.41	.188
mm	3	165.10		179	36	4.78

- 1: ALL ROUGH DIMENSIONS MAY VARY .25" DUE TO CASTING AND/OR FABRICATION VARIATIONS.
- 2: LARGEST MOTOR WIDTH.
- 3: TAP SIZE AND BOLT PENETRATION ALLOWANCE.
- 4: ALL TAPPED HOLES ARE UNIFIED NATIONAL COARSE, RIGHT HAND THREAD.
- 5: TOLERANCES ARE ALL IN INCHES.
- 6: FRAME REFERENCE: 7.50"

TOLERANCES	
FACE RUNOUT	.004 T.I.R
PERMISSIBLE ECCENTRICITY OF MOUNTING RABBET	.004 T.I.R
PERMISSIBLE SHAFT RUNOUT	.002 T.I.R

DRAWING NO.	PAGE 1 of 1	REV.
	1TTA4BH	-

Dayton Electric Mfg. Co. Lake Forest, IL 60045 USA

Performance Data



1TTA4BH

REV.
-

MOTOR PERFORMANCE

MODEL NO.	CATALOG NO.	PHASE	TYPE	FRAME
1TTA4BH	NA	3	WEFN	56C

ORDER NO.	24742	LINE NO.
-----------	-------	----------

MPI:		203961	203962	203964	203965
HP:		1	1	1	1
POLES:		2	2	2	2
VOLTS:		460	230	380	190
HZ:		60	60	50	50
SERVICE FACTOR:		1.15	1.15	1	1
EFFICIENCY (%):					
	S.F.	85.9	85.9		
	FULL	85.5	85.5	84.6	84.6
	3/4	85.3	85.3	85.6	85.6
	1/2	82.5	82.5	84.4	84.4
	1/4	72.7	72.7	77.2	77.2
POWER FACTOR (%):					
	S.F.	88.3	88.3		
	FULL	86.4	86.4	89.4	89.4
	3/4	81	81	85.2	85.2
	1/2	70.9	70.9	76.3	76.3
	1/4	50.2	50.2	55.8	55.8
	NO LOAD	13.8	13.8	12.8	12.8
	LOCKED ROTOR	66.2	66.2	71.4	71.4
AMPS:					
	S.F.	1.4	2.8		
	FULL	1.3	2.5	1.5	3
	3/4	1	2	1.2	2.3
	1/2	0.8	1.6	0.9	1.8
	1/4	0.6	1.3	0.7	1.3
	NO LOAD	0.6	1.1	0.6	1.1
	LOCKED ROTOR	14.1	28.1	12.6	25.1
NEMA CODE LETTER		N	N	K	K
NEMA DESIGN LETTER		B	B	B	B
FULL LOAD RPM		3520	3520	2895	2895
NEMA NOMINAL / EFFICIENCY (%)		85.5	85.5	84.6	84.6
GUARANTEED EFFICIENCY (%)		82.5	82.5	81.5	81.5
MAX KVAR		0.4	0.4	0.3	0.3
AMBIENT (°C)		40	40	40	40
ALTITUDE (FASL)		3300	3300	3300	3300
SAFE STALL TIME-HOT (SEC)		15	15	19	19
SOUND PRESSURE (DBA @ 1M)		0	0	0	0
TORQUES:					
	BREAKDOWN{% F.L.}	488	488	369	369
	LOCKED ROTOR{% F.L.}	354	354	281	281
	FULL LOAD{LB-FT}	1.5	1.5	1.8	1.8

NEMA Nominal and Guaranteed Efficiencies are up to 3,300 feet above sea level and 25 ° C ambient

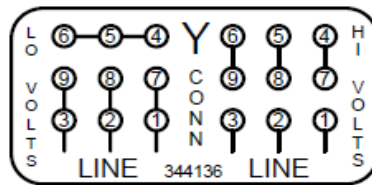
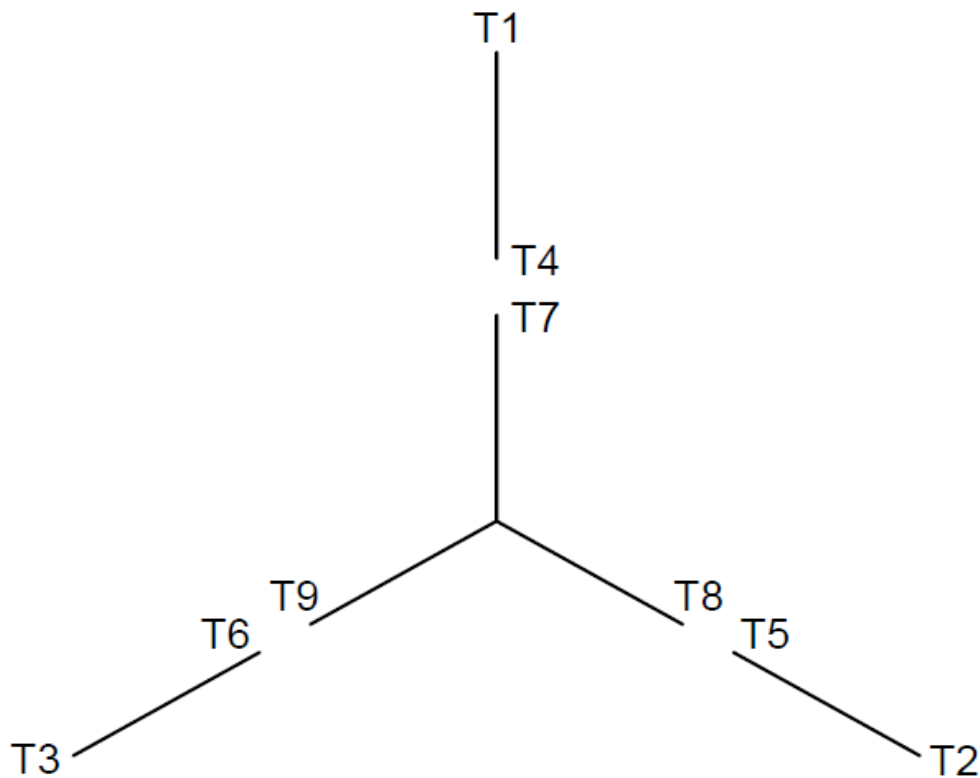
DRAWING NO.	PAGE 1 of 1	REV.
	1TTA4BH	-

Dayton Electric Mfg. Co. Lake Forest, IL 60045 USA

1TTA4BH

REV.
0

Motor Wiring Diagram 9 Lead, Dual Voltage (WYE Conn.)



To reverse direction of rotation, interchange leads L1 & L2.
Each lead may have one or more cables comprising that lead.
In such case, cable will be marked with the appropriate lead number.

DRAWING NO.	PAGE 1 of 1	REV.
1TTA4BH	1TTA4BH	0

Dayton[®]Part No. **1TTA4BH****WASHDOWN
MOTOR**

CC 030A

**NEMA
Premium**[™]SHAFT
END BRG **6205-2RS-J/C3**OPP
END BRG **6203-2RS-J/C3**FR **56C**TYPE **WEFN**ENCL **TENV**PH **3** MAX
AMB **40 °C** ID#INSUL CLASS **F** DUTY **CONT** WT **35 LB** BALHZ **60** HP **1** RPM **3520**SF **1.15** DESIGN **B** CODE **N**GUARANTEED EFFICIENCY **82.5** MAX
KVAR **.4**NEMA NOM EFFICIENCY **85.5** NOM
PF **86.4**VOLTS **230/460**FL AMPS **2.5/1.3**SF AMPS **2.8/1.4**HZ **50** HP **1** RPM **2895**SF **1.00** DESIGN **B** CODE **K**GUARANTEED EFFICIENCY **81.5** MAX
KVAR **.3**NEMA NOM EFFICIENCY **84.6** NOM
PF **89.4**VOLTS **190/380**FL AMPS **3.0/1.5**

SF AMPS

2062925-010 MADE IN MEXICO OF IMPORTED AND DOMESTIC COMPONENTSMfd. for Dayton Electric Mfg. Co.
Lake Forest, IL 60045 USAENERGY
RU[®]
C **US**
E47479