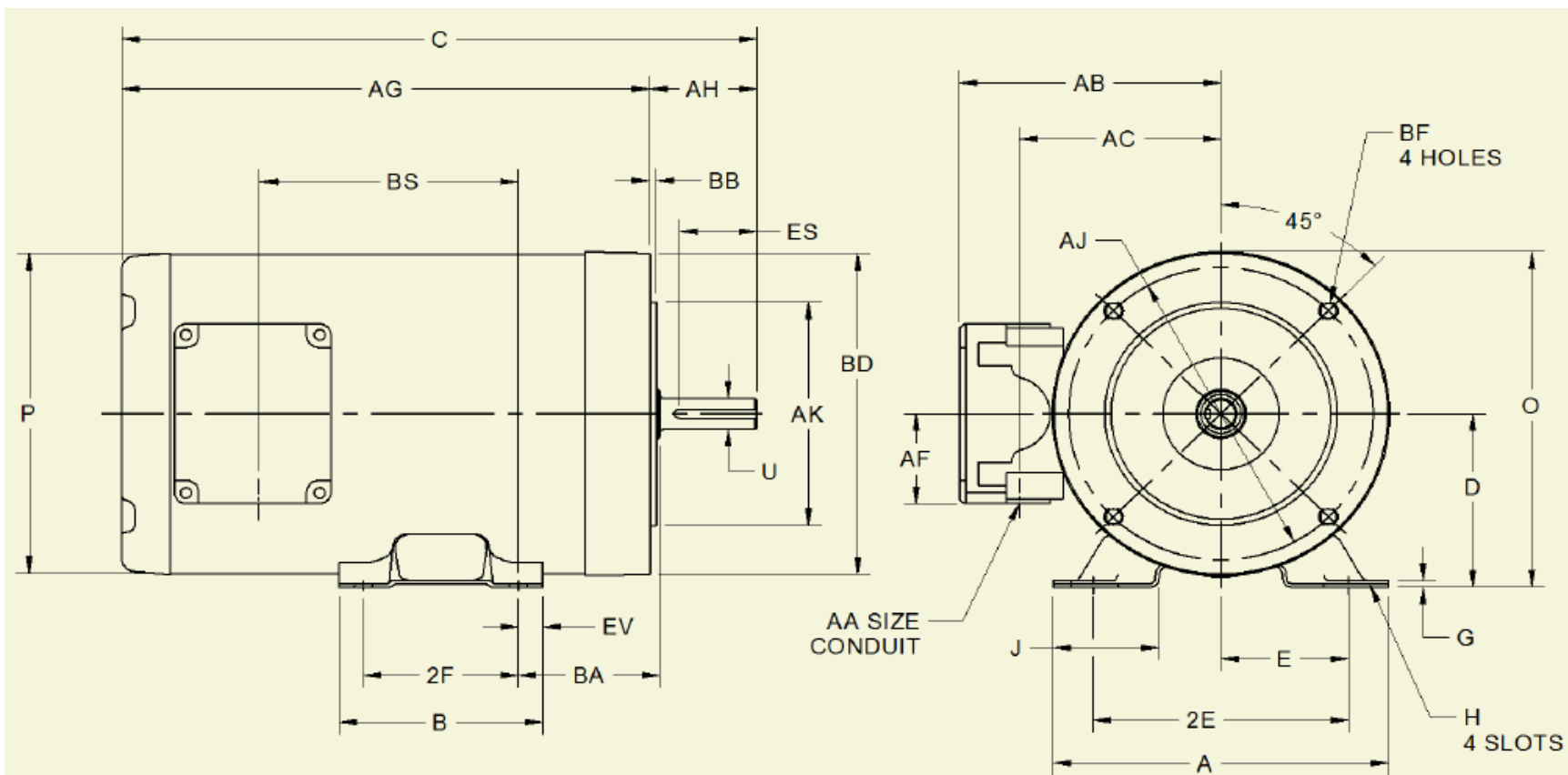


1TRZ6BH

REV.
-



ALL DIMENSIONS ARE IN INCHES AND MILLIMETERS

UNITS	A	B	C	D	E	2E	2F	G	H	J
IN	6.50	4.25	12.25	3.50	2.44	4.88	3.00	.13	.34 X 1.25	1.84
mm	165	108	311	89	62	124	76	3		47

UNITS	O	P ²	U -.0005	AA	AB	AC	AF	AG	AH	AJ
IN	6.77	6.50	.6250	1/2 NPT	5.13	3.97	1.81	10.19	2.06	5.875
mm	172	165	15.875		130	101	46	259	52	149.23

UNITS	AK -.003	BA	BB	BD	BF ³	BS	ES MIN	EV	SQ KEY
IN	4.500	2.75	.13	6.500	3/8-16 X .75	5.30	1.41	.63	.188
mm	114.30	70	3	165.10		135	36	16	4.78

1. ALL ROUGH DIMENSIONS MAY VARY .25" DUE TO CASTING AND/OR FABRICATION VARIATIONS.
2. LARGEST MOTOR WIDTH.
3. TAP SIZE AND BOLT PENETRATION ALLOWANCE.
4. ALL TAPPED HOLES ARE UNIFIED NATIONAL COARSE, RIGHT HAND THREAD.
5. TOLERANCES ARE ALL IN INCHES.
6. FRAME REFERENCE: 8.00"

TOLERANCES	
FACE RUNOUT	.004 T.I.R
PERMISSIBLE ECCENTRICITY OF MOUNTING RABBET	.004 T.I.R
PERMISSIBLE SHAFT RUNOUT	.002 T.I.R

DRAWING NO.	PAGE 1 of 1	REV.
	1TRZ6BH	-

Performance Data



1TRZ6BH

REV.
-

MOTOR PERFORMANCE

MODEL NO.	CATALOG NO.	PHASE	TYPE	FRAME
1TRZ6BH	NA	3	WEN	56C

ORDER NO.	24708	LINE NO.

MPI:		203966	203967	203969	203970
HP:		1	1	1	1
POLES:		4	4	4	4
VOLTS:		460	230	380	190
HZ:		60	60	50	50
SERVICE FACTOR:		1.15	1.15	1	1
EFFICIENCY (%):					
	S.F.	85.5	85.5		
	FULL	85.5	85.5	83.7	83.7
	3/4	84.9	84.9	84.6	84.6
	1/2	81.8	81.8	83.1	83.1
	1/4	72	72	75.2	75.2
POWER FACTOR (%):					
	S.F.	77.5	77.5		
	FULL	73.6	73.6	80	80
	3/4	64.5	64.5	71.7	71.7
	1/2	51.1	51.1	58.1	58.1
	1/4	32.4	32.4	37	37
	NO LOAD	8.2	8.2	8.1	8.1
	LOCKED ROTOR	66.9	66.9	72.1	72.1
AMPS:					
	S.F.	1.6	3.3		
	FULL	1.5	3	1.7	3.4
	3/4	1.3	2.6	1.4	2.8
	1/2	1.1	2.2	1.2	2.3
	1/4	1	2	1	2
	NO LOAD	1	2	1	1.9
	LOCKED ROTOR	13.9	27.8	12.4	24.8
NEMA CODE LETTER		M	M	K	K
NEMA DESIGN LETTER		B	B	B	B
FULL LOAD RPM		1750	1750	1435	1435
NEMA NOMINAL / EFFICIENCY (%)		85.5	85.5	83.7	83.7
GUARANTEED EFFICIENCY (%)		82.5	82.5	80	80
MAX KVAR		0.7	0.7	0.6	0.5
AMBIENT (°C)		40	40	40	40
ALTITUDE (FASL)		3300	3300	3300	3300
SAFE STALL TIME-HOT (SEC)		19	19	26	26
SOUND PRESSURE (DBA @ 1M)		0	0	0	0
TORQUES:					
	BREAKDOWN{% F.L.}	546	546	408	408
	LOCKED ROTOR{% F.L.}	435	435	344	344
	FULL LOAD{LB-FT}	3	3	3.7	3.7

NEMA Nominal and Guaranteed Efficiencies are up to 3,300 feet above sea level and 25 ° C ambient

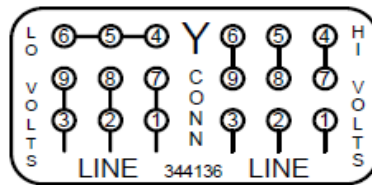
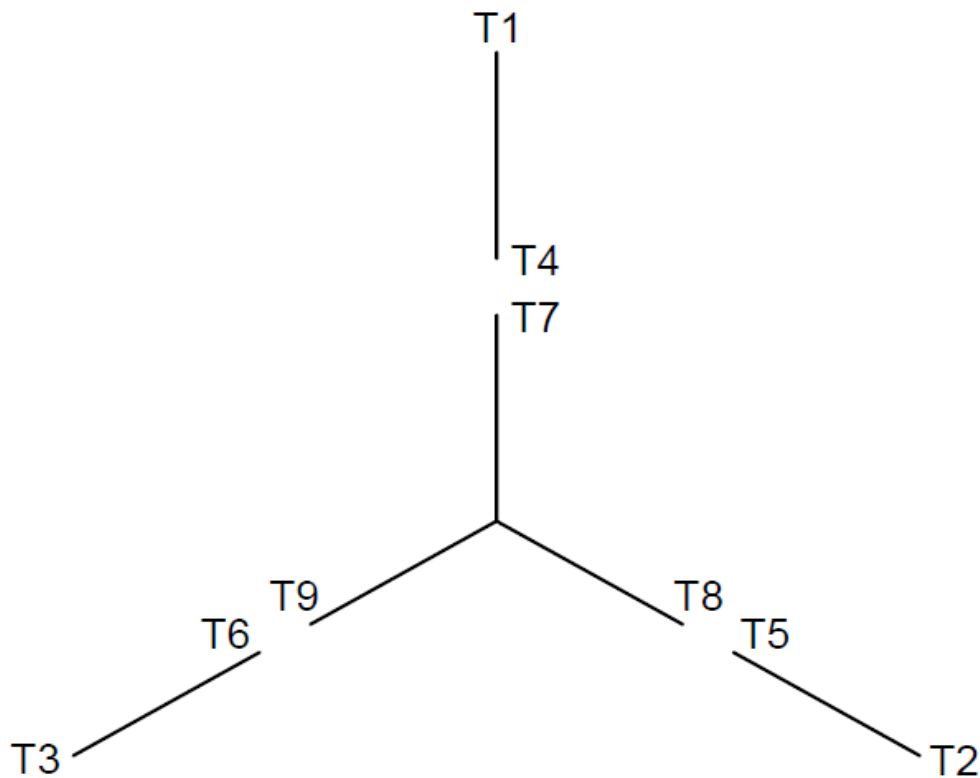
DRAWING NO.	PAGE 1 of 1	REV.
	1TRZ6BH	-

Dayton Electric Mfg. Co. Lake Forest, IL 60045 USA

1TRZ6BH

REV.
0

Motor Wiring Diagram 9 Lead, Dual Voltage (WYE Conn.)



To reverse direction of rotation, interchange leads L1 & L2.
Each lead may have one or more cables comprising that lead.
In such case, cable will be marked with the appropriate lead number.

DRAWING NO.	PAGE 1 of 1	REV.
1TRZ6BH	1TRZ6BH	0

Dayton[®]Part No. **1TRZ6BH****WASHDOWN
MOTOR**

CC 030A

**NEMA
Premium**[™]SHAFT
END BRG **6205-2RS-J/C3**OPP
END BRG **6203-2RS-J/C3**FR **56C**TYPE **WEN**ENCL **TENV**PH **3** MAX
AMB **40 °C** ID#INSUL CLASS **F** DUTY **CONT** WT **35 LB** BALHZ **60** HP **1** RPM **1750**HZ **50** HP **1** RPM **1435**SF **1.15** DESIGN **B** CODE **M**SF **1.00** DESIGN **B** CODE **K**GUARANTEED
EFFICIENCY **82.5** MAX
KVAR **.7**GUARANTEED
EFFICIENCY **80.0** MAX
KVAR **.6**NEMA NOM
EFFICIENCY **85.5** NOM
PF **73.6**NEMA NOM
EFFICIENCY **83.7** NOM
PF **80.0**VOLTS **230/460**VOLTS **190/380**FL AMPS **3.0/1.5**FL AMPS **3.4/1.7**SF AMPS **3.3/1.6**

SF AMPS

2062925-007 MADE IN MEXICO OF IMPORTED AND DOMESTIC COMPONENTSMfd. for Dayton Electric Mfg. Co.
Lake Forest, IL 60045 USAENERGY
UL[®]
C **US**
E47479**SA**[®]
258525