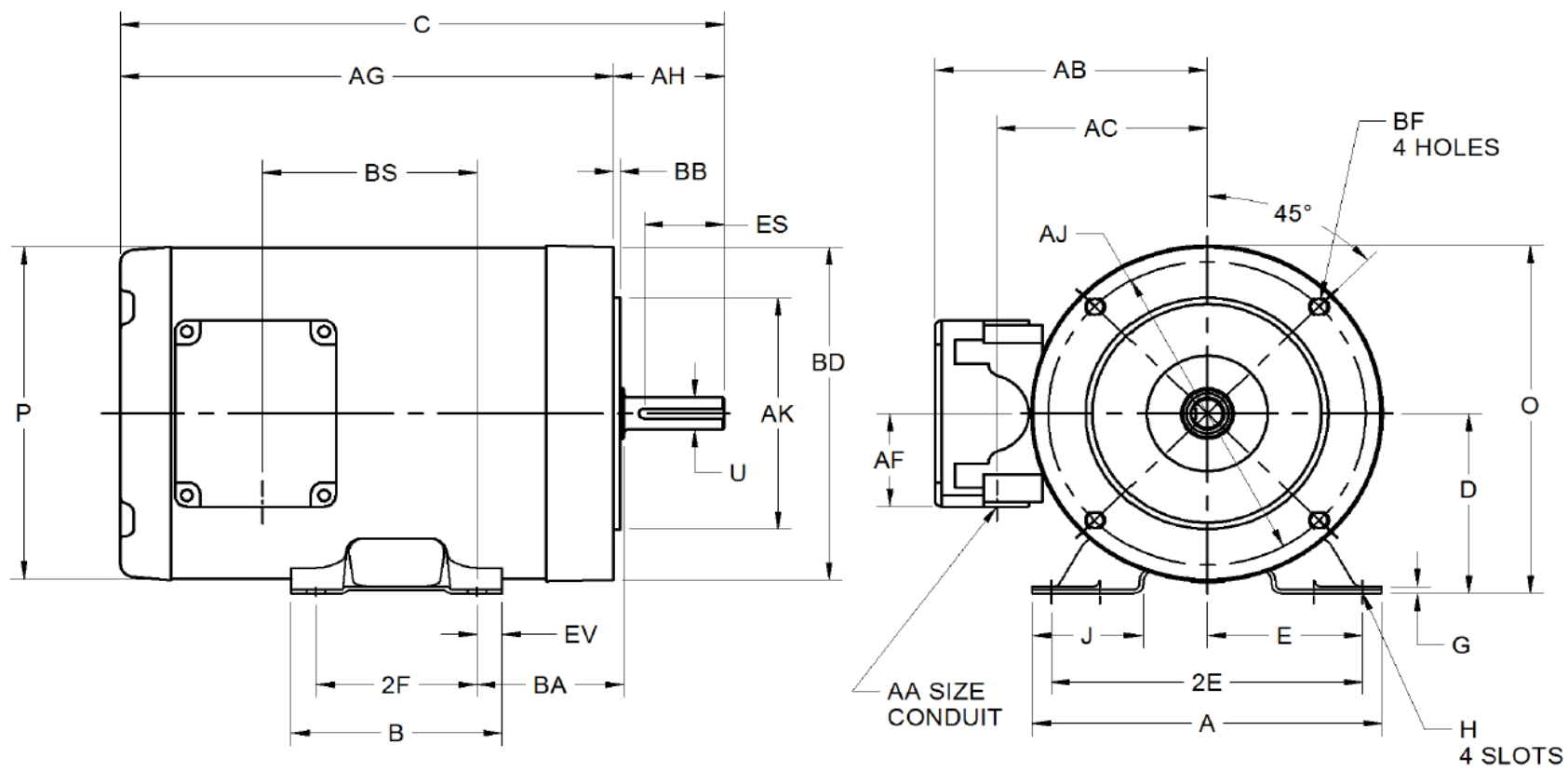


Dimensional Drawing



1TRZ3BH	REV. -
----------------	-----------



ALL DIMENSIONS ARE IN INCHES AND MILLIMETERS

UNITS	A	B	C	D	E	2E	2F	G	H	J
IN	6.50	3.94	11.25	3.50	2.44	4.88	3.00	.13	.34 X 1.25	1.84
mm	165	100	286	89	62	124	76	3		47

UNITS	O	P ²	U -.0005	AA	AB	AC	AF	AG	AH	AJ
IN	6.77	6.50	.6250	1/2 NPT	5.13	3.97	1.81	9.19	2.06	5.875
mm	172	165	15.875		130	101	46	233	52	149.23

UNITS	AK -.003	BA	BB	BD	BF ³	BS	ES MIN	EV	SQ KEY
IN	4.500	2.75	.13	6.500	3/8-16 X .75	4.00	1.41	.47	.188
mm	114.30	70	3	165.10		102	36	12	4.78

- 1: ALL ROUGH DIMENSIONS MAY VARY .25" DUE TO CASTING AND/OR FABRICATION VARIATIONS.
- 2: LARGEST MOTOR WIDTH.
- 3: TAP SIZE AND BOLT PENETRATION ALLOWANCE.
- 4: ALL TAPPED HOLES ARE UNIFIED NATIONAL COARSE, RIGHT HAND THREAD.
- 5: TOLERANCES ARE ALL IN INCHES.
- 6: FRAME REFERENCE: 7.00"

TOLERANCES	
FACE RUNOUT	.004 T.I.R
PERMISSIBLE ECCENTRICITY OF MOUNTING RABBET	.004 T.I.R
PERMISSIBLE SHAFT RUNOUT	.002 T.I.R

DRAWING NO.	PAGE 1 of 1	REV.
	1TRZ3BH	-

Dayton Electric Mfg. Co. Lake Forest, IL 60045 USA

Performance Data



1TRZ3BH

REV.
-

MOTOR PERFORMANCE

MODEL NO.	CATALOG NO.	PHASE	TYPE	FRAME
1TRZ3BH	NA	3	WEN	56C

ORDER NO.	24741	LINE NO.

MPI:		222401	222402	222404	222405
HP:		0.5	0.5	0.5	0.5
POLES:		4	4	4	4
VOLTS:		460	230	380	190
HZ:		60	60	50	50
SERVICE FACTOR:		1.15	1.15	1	1
EFFICIENCY (%):					
	S.F.	80.7	80.7		
	FULL	78.5	80	77.3	78.7
	3/4	79.1	79.1	79.3	79.3
	1/2	74.6	74.6	76.7	76.7
	1/4	62.1	62.1	66	66
POWER FACTOR (%):					
	S.F.	76	76		
	FULL	72.1	72.1	78.9	78.9
	3/4	63.1	63.1	70.4	70.4
	1/2	50.2	50.2	57.1	57.1
	1/4	33.3	33.3	37.4	37.4
	NO LOAD	11.4	11.4	11.3	11.3
	LOCKED ROTOR	71.6	71.6	76.2	76.2
AMPS:					
	S.F.	0.9	1.8		
	FULL	0.8	1.6	0.9	1.8
	3/4	0.7	1.4	0.8	1.5
	1/2	0.6	1.2	0.6	1.3
	1/4	0.6	1.1	0.6	1.1
	NO LOAD	0.6	1.1	0.6	1.1
	LOCKED ROTOR	6.3	12.5	5.5	11.1
NEMA CODE LETTER		M	M	J	J
NEMA DESIGN LETTER		B	B	B	B
FULL LOAD RPM		1750	1750	1435	1435
NEMA NOMINAL / EFFICIENCY (%)		78.5	80	77.3	78.7
GUARANTEED EFFICIENCY (%)		75.5	77	74	75.5
MAX KVAR		0.4	0.4	0.3	0.3
AMBIENT (°C)		40	40	40	40
ALTITUDE (FASL)		3300	3300	3300	3300
SAFE STALL TIME-HOT (SEC)		20	20	27	27
SOUND PRESSURE (DBA @ 1M)		0	0	0	0
TORQUES:					
	BREAKDOWN{% F.L.}	444	444	326	326
	LOCKED ROTOR{% F.L.}	319	319	246	246
	FULL LOAD{LB-FT}	1.5	1.5	1.8	1.8

NEMA Nominal and Guaranteed Efficiencies are up to 3,300 feet above sea level and 25 ° C ambient

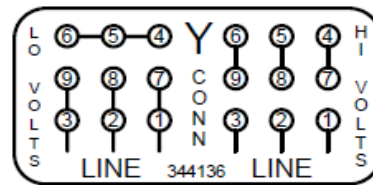
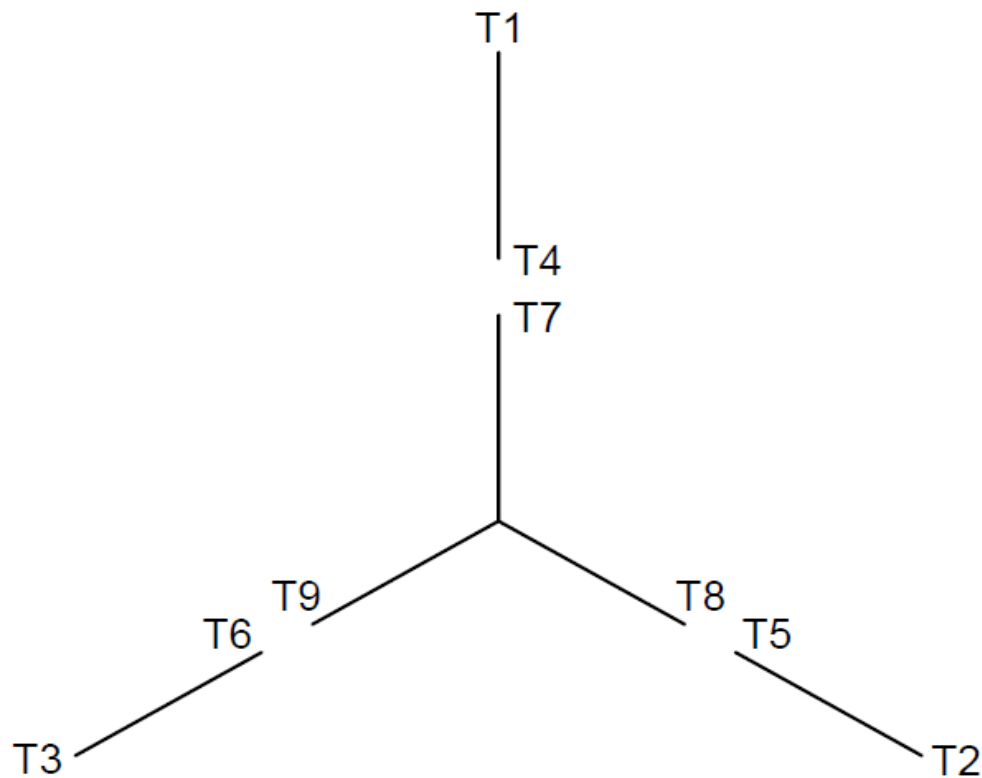
DRAWING NO.	PAGE 1 of 1	REV.
1TRZ3BH		-

Dayton Electric Mfg. Co. Lake Forest, IL 60045 USA

1TRZ3BH

REV.
0

Motor Wiring Diagram 9 Lead, Dual Voltage (WYE Conn.)



To reverse direction of rotation, interchange leads L1 & L2.
Each lead may have one or more cables comprising that lead.
In such case, cable will be marked with the appropriate lead number.

DRAWING NO.	PAGE 1 of 1	REV.
1TRZ3BH	1TRZ3BH	0

Dayton[®]Part No. **1TRZ3BH****WASHDOWN
MOTOR**

CC 030A

**NEMA
Premium**[™]SHAFT
END BRG **6205-2RS-J/C3**OPP
END BRG **6203-2RS-J/C3**FR **56C**TYPE **WEN**ENCL **TENV**PH **3** MAX
AMB **40 °C** ID#INSUL CLASS **F** DUTY **CONT** WT **35 LB** BALHZ **60** HP **.5** RPM **1750**HZ **50** HP **.5** RPM **1435**SF **1.15** DESIGN **B** CODE **M**SF **1.00** DESIGN **B** CODE **J**GUARANTEED
EFFICIENCY **75.5** MAX
KVAR **.4**GUARANTEED
EFFICIENCY **74.0** MAX
KVAR **.3**NEMA NOM
EFFICIENCY **78.5** NOM
PF **72.1**NEMA NOM
EFFICIENCY **77.3** NOM
PF **78.9**VOLTS **230/460**VOLTS **190/380**FL AMPS **1.6/.8**FL AMPS **1.8/.9**SF AMPS **1.8/.9**

SF AMPS

2062925-007 MADE IN MEXICO OF IMPORTED AND DOMESTIC COMPONENTSMfd. for Dayton Electric Mfg. Co.
Lake Forest, IL 60045 USAENERGY
UL[®]
C **US**
E47479**SA**[®]
258525