

Wiring Diagram

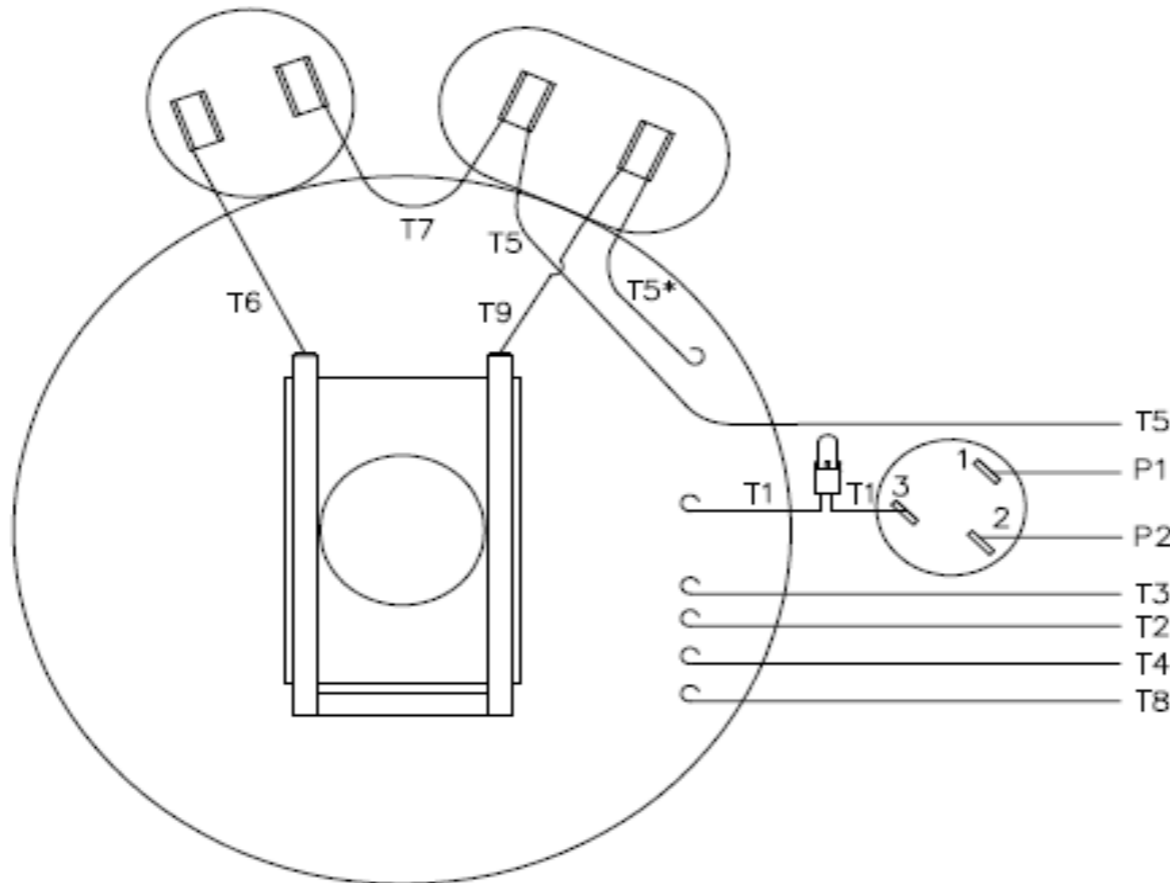


1TMV7

REV.

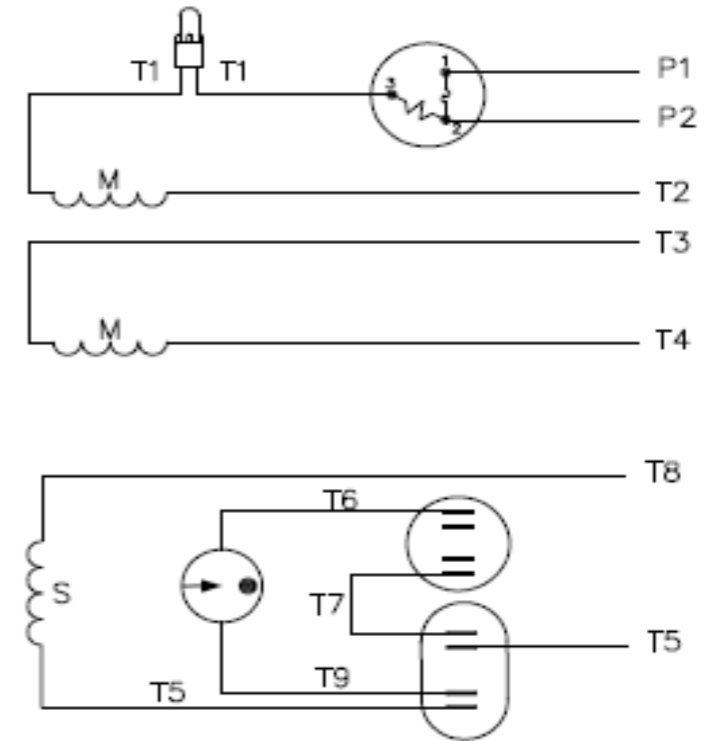
-

VIEW FROM OUTSIDE OF MOTOR AT SWITCH END.



* THIS LEAD MAY BE WHITE

LINE LEADS



	ROTATION FACING LEAD END	L1	L2	JOIN	INSULATE SEPARATELY
HIGH VOLT	C.C.W.	P1	T4 T5	T2, T3 T8	P2
	C.W.	P1	T4 T8	T2, T3 T5	P2
LOW VOLT	C.C.W.	P1	T2, T4 T5	P2, T3 T8	-----
	C.W.	P1	T2, T4 T8	P2, T3 T5	-----

DRAWING NO.	PAGE OF	REV.
1TMV7	1	-

Dayton Electric Mfg. Co. Lake Forest, IL 60045 USA