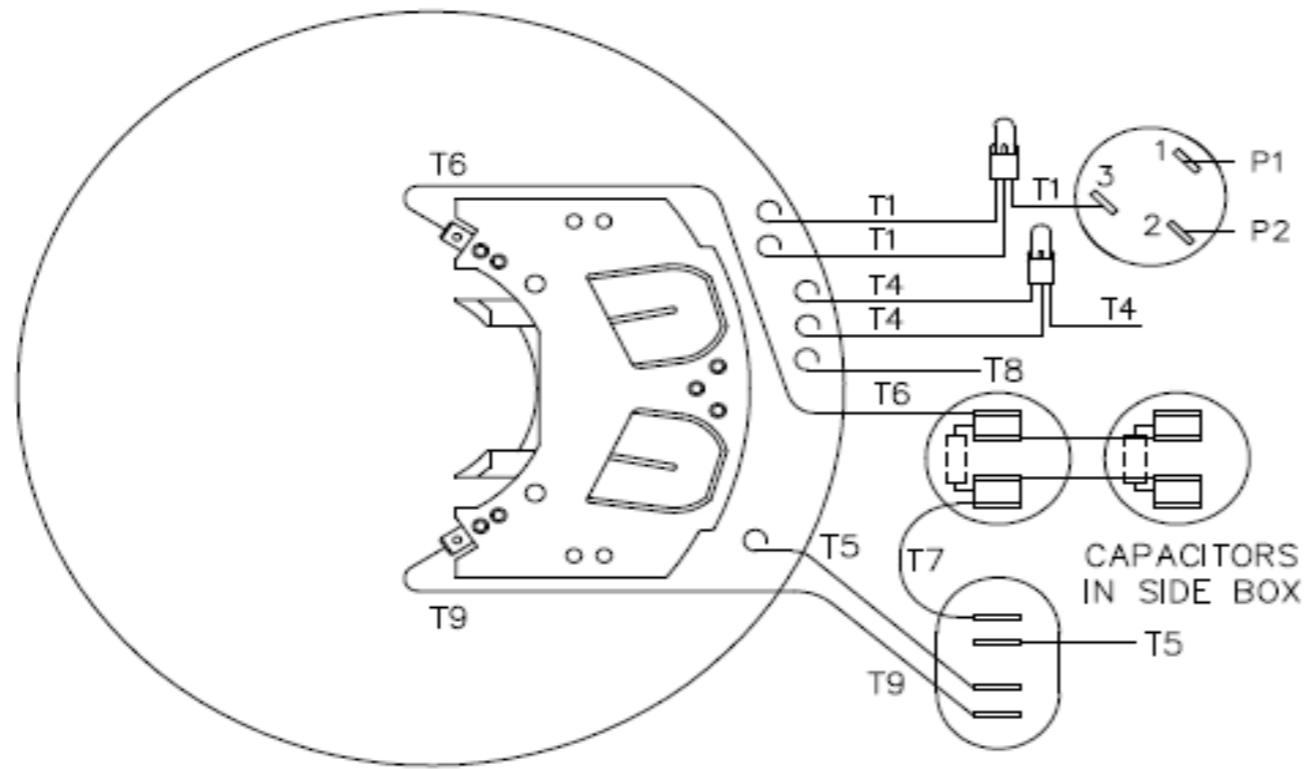


Wiring Diagram

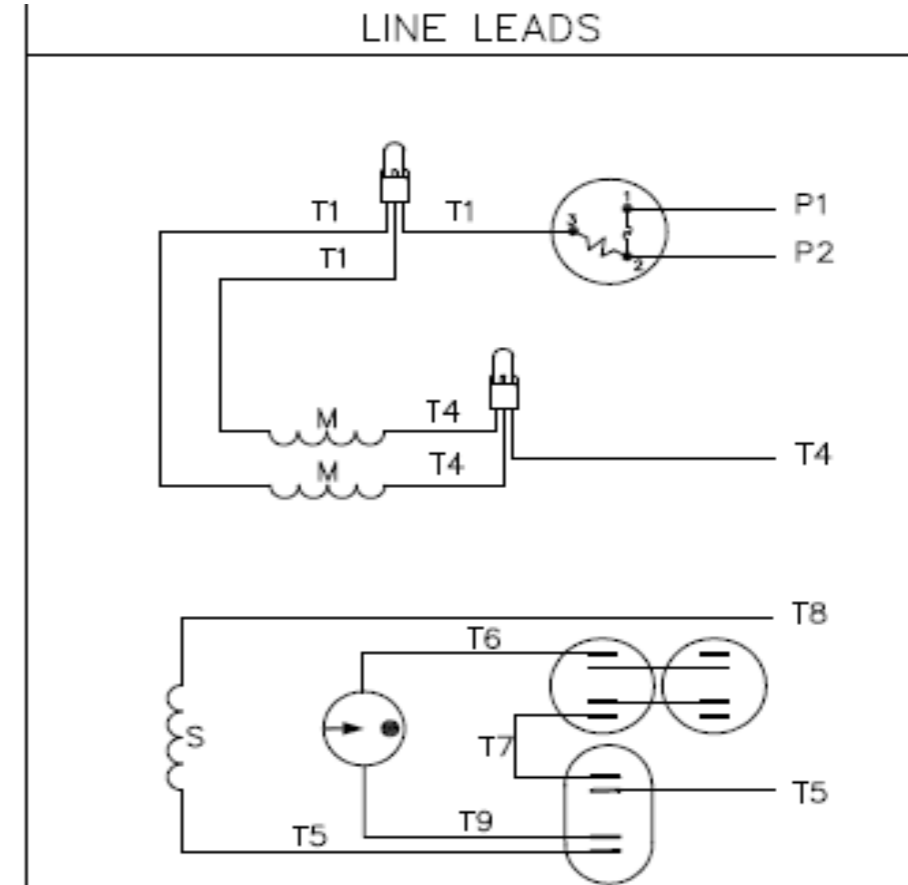


| | |
|-------|-----------|
| 1TMV6 | REV. - |
|-------|-----------|



VIEW FROM OUTSIDE OF MOTOR AT SWITCH END

CAUTION:
LEAD WIRE INSULATION TO EXTEND MIN. OF 1/4" INTO CONNECTOR INSULATION



| ROTATION FACING LEAD END | L1 | L2 | JOIN & INSULATE |
|--------------------------|----|--------|-----------------|
| C.C.W. | P1 | T4, T5 | P2, T8 |
| C.W. | P1 | T4, T8 | P2, T5 |

| | | |
|-------------|---------|------|
| DRAWING NO. | PAGE OF | REV. |
| 1TMV6 | 1 | - |