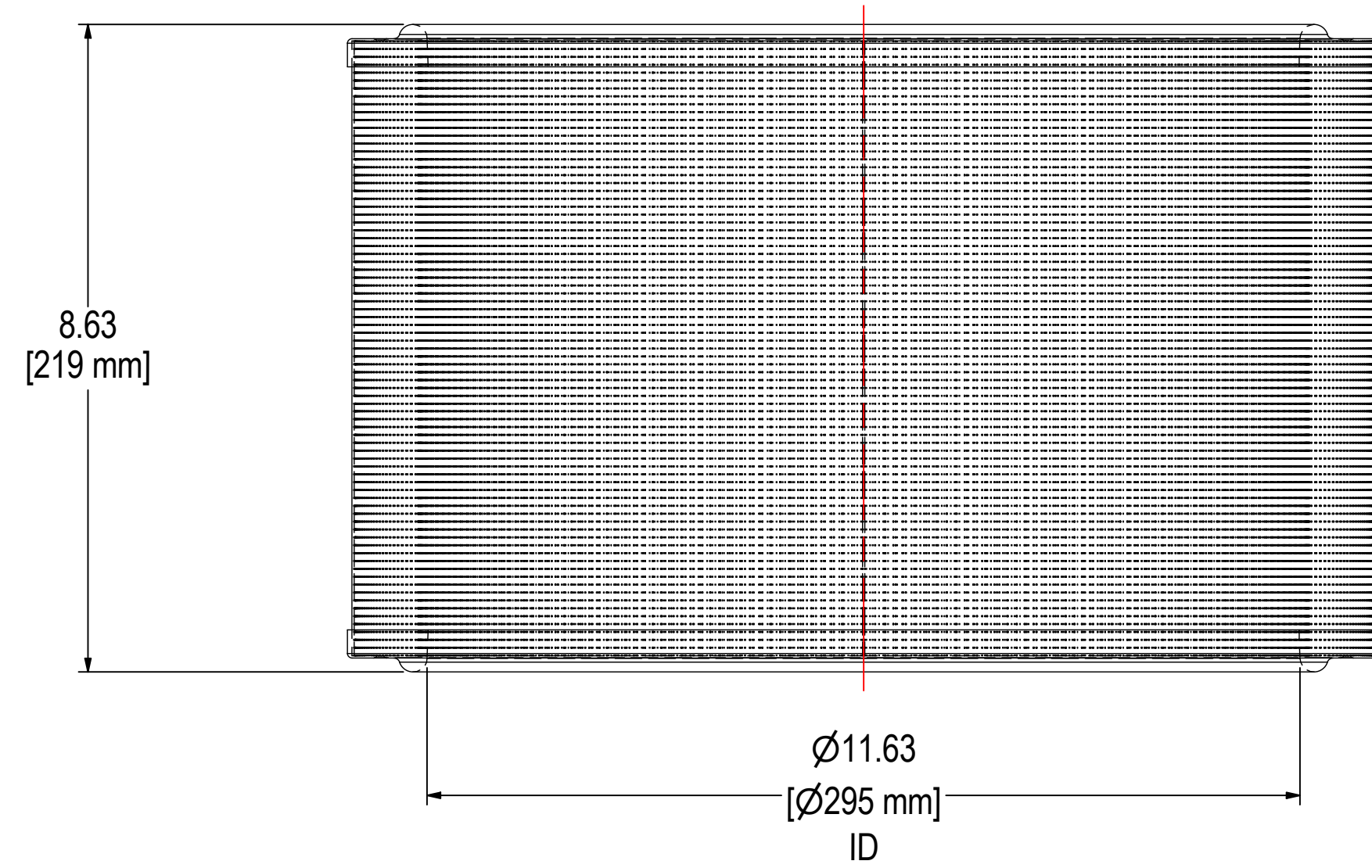
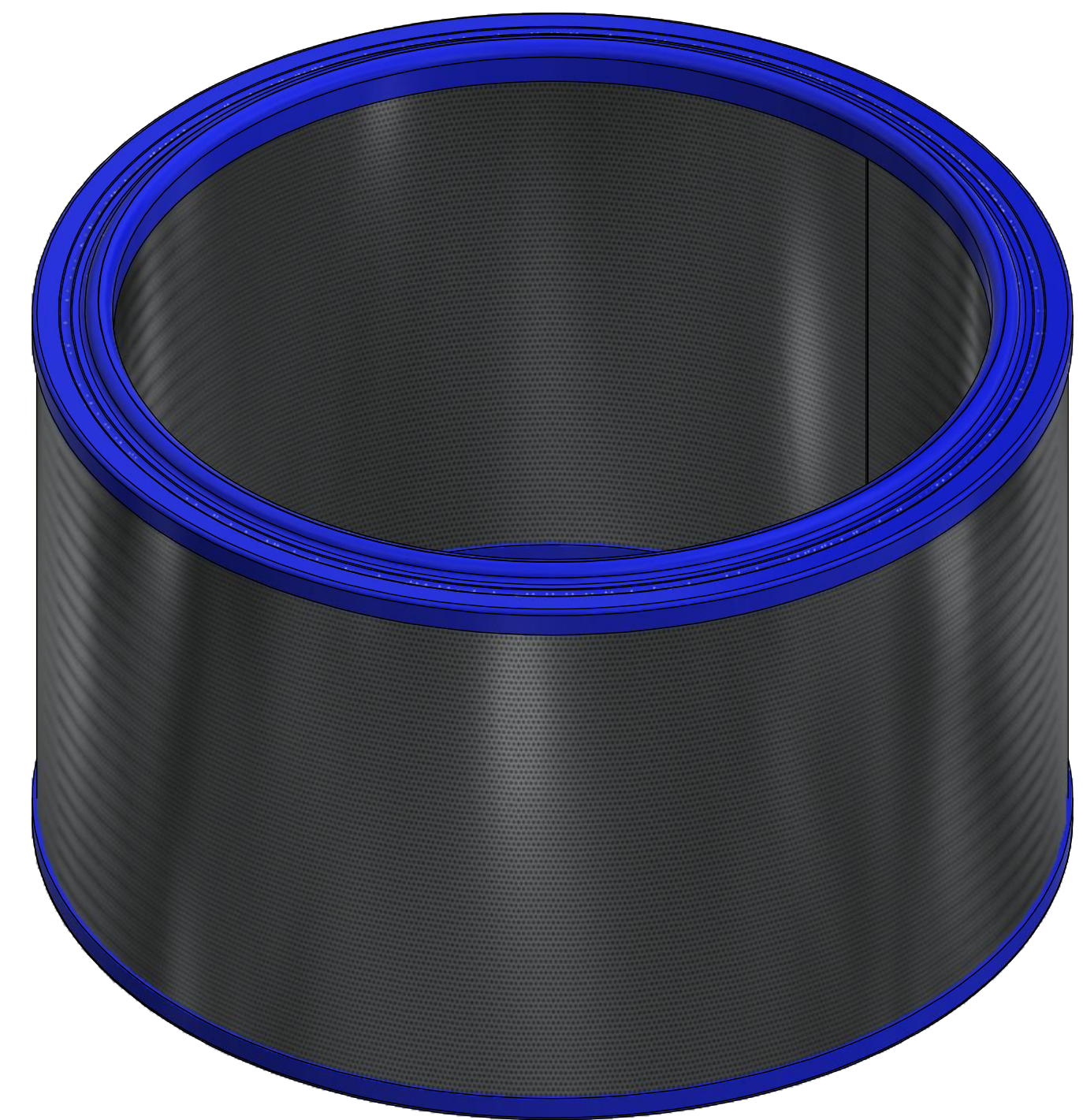
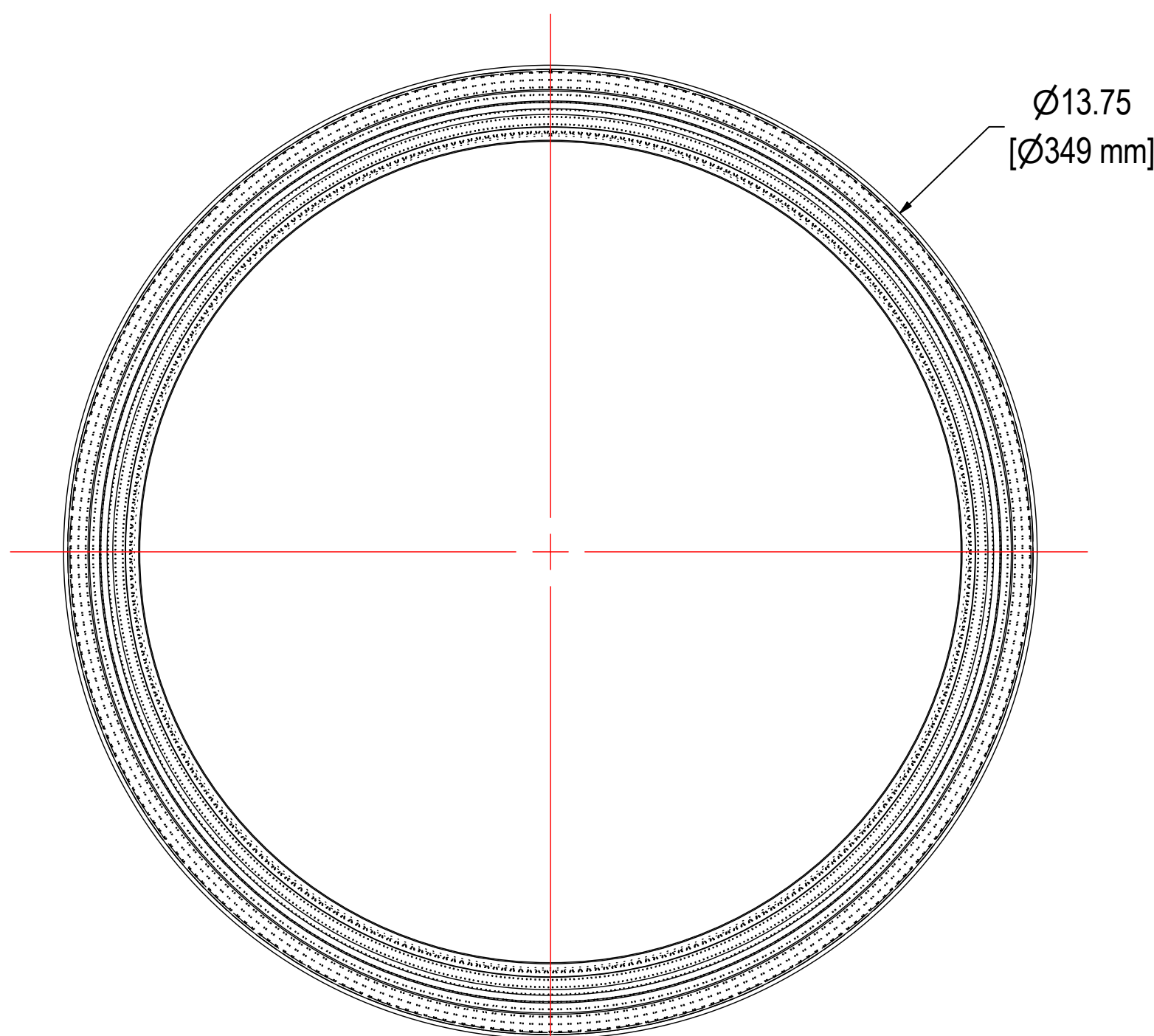


REV	DESCRIPTION	ECN #	CHG BY	DATE	APP'D
A	UPDATED TO 3D	17138	NAD	09/10/19	EZR



ELEMENT SPECS		
PART NUMBER	32-10	
MATERIAL	PAPER	
FLOW RATE	1100 CFM	1868 m ³ /hr
SURFACE AREA	28.3 ft ²	2.6 m ²
I.D.	11.63"	295mm
O.D.	13.75"	349mm
HEIGHT	8.63"	219mm

SOLBERG[®]
Filtration • Separation • Silencing
 630.773.1363 • www.solbergmfg.com

THE INFORMATION CONTAINED HEREIN IS CONFIDENTIAL AND THE PROPERTY OF SOLBERG MANUFACTURING INC. AND IT IS FURNISHED TO YOU WITH THE EXPRESS UNDERSTANDING THAT IT WILL NOT BE REPRODUCED, COPIED IN ANY MANNER, LOANED OR OTHERWISE TRANSFERRED TO OTHERS ENTIRELY OR IN PART, NOR USED FOR ANY PURPOSE OTHER THAN FOR WHICH IT WAS FURNISHED. IT WILL BE RETURNED UPON REQUEST TO SOLBERG MANUFACTURING INC. THE ABOVE RESTRICTION IS IN ADDITION TO, AND DOES NOT IN ANY WAY ALTER, ANY OTHER RESTRICTIONS WHICH MAY APPLY TO THE INFORMATION CONTAINED HEREIN.

TOLERANCES
 DIMENSIONS ARE FOR REFERENCE ONLY. ALL DIMENSIONS ARE SUBJECT TO CHANGE UPON PRODUCTION.
 UNLESS OTHERWISE SPECIFIED:
 -DIMENSIONS ARE IN INCHES
 -REF: APPROXIMATE DIMENSIONS, NO TOLERANCES APPLY
 -FINISH: BREAK EDGES TO .005-.020 RADIUS/CHAMFER

MODEL NUMBER: 32-10	DRAWN BY: CRW		APPROVED BY: M.C.	SHEET: 1 OF 1
DESCRIPTION: 32-10, PAPER	DATE: 12/14/2006		DATE: 12/14/2006	REV: A
PROJECT: SD12553				