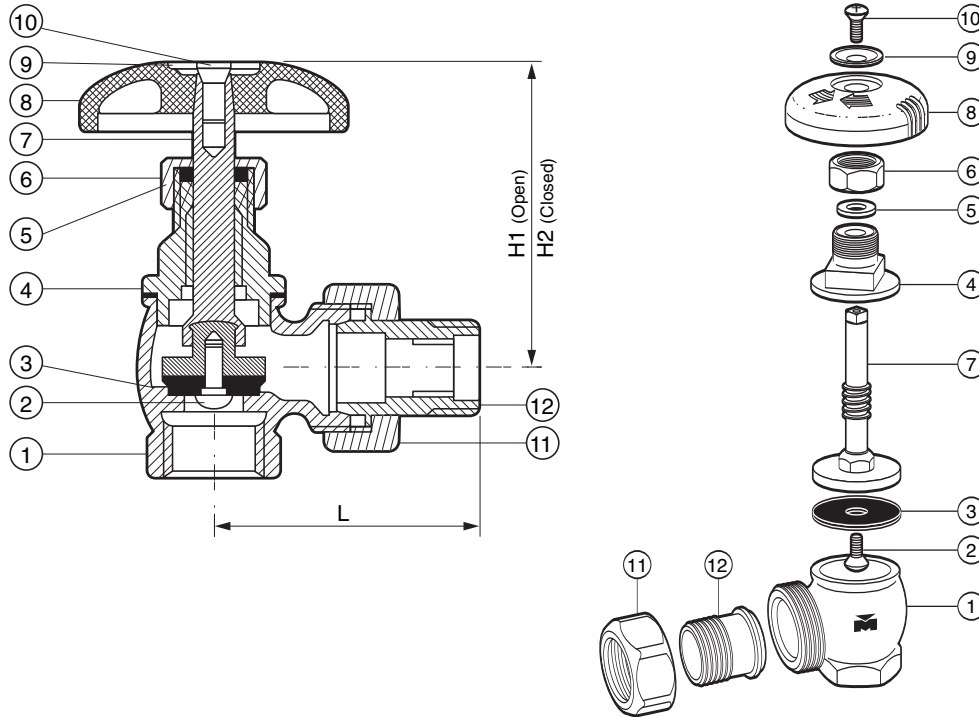


BRONZE

RADIATOR VALVE

Features:

- 60 PSI non-shock hot water
- Rated for 15 PSI WSP
- For low pressure stem or circulated
- Adjustable packing
- Rising Stem
- Heat resistant hand wheel



Part No.	Size	
1RLT2	1/2"	Threaded
1RLT3	3/4"	Threaded
1RLT4	1"	Threaded
1RLT5	1-1/4"	Threaded
1RLT6	1-1/2"	Threaded

- Pipe threads comply with ANSI/B1.20.1

Materials and Specifications

No.	Part Name	Material	Spec/ASTM
1	Body	Cast Bronze Cast Brass	B584-C84400 B584-C85700
2	Screw	Brass	
3	Seat Washer	Rubber (NEPDM)	
4	Bonnet Forged Brass	Cast Bronze B124-C37700	BB584-C84400
5	Packing	Teflon (PTFE)	
6	Packing Nut	Brass	B16-C36000
7	Stem	Brass	B16-C36000
8	Handwheel	Phenolic Resin	
9	Name plate	Aluminum	Commercial
10	Screw	Brass	
11	Union Nut Cast Brass	Cast Bronze B584-C85700	B584-C84400
12	Tailpiece	Cast Bronze	B584-C84400

Dimensions are in Inches

Part No.	Size	L	H1	H2
1RLT2	1/2"	2.28	2.99	2.63
1RLT3	3/4"	2.55	3.19	2.76
1RLT4	1"	2.87	3.58	2.99
1RLT5	1-1/4"	3.23	4.01	3.39
1RLT6	1-1/2"	3.62	4.44	3.58