

## 1 1/2" WALL MOUNT P-TRAP

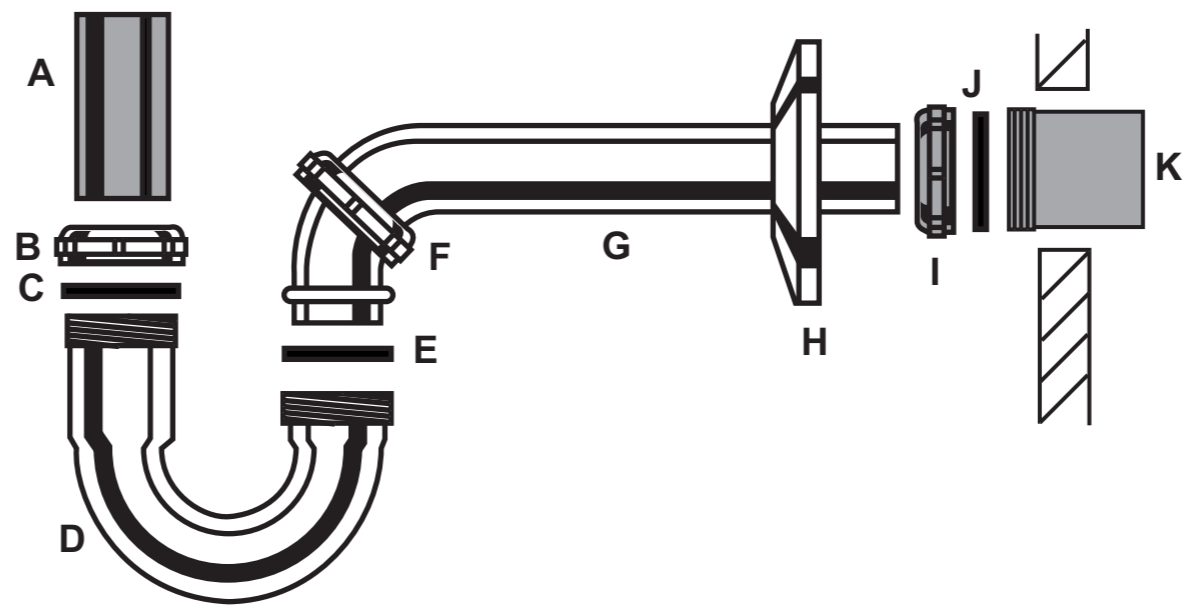
Used in combination with metal or plastic drain systems.

### To remove old drain trap:

1. Loosen upper and lower nuts on trap bend.
2. Remove old trap bend being careful not to spill waste.
3. Loosen wall nut and remove wall tube. Save nut and washer.

### To install new drain trap:

1. Slide upper nut (threads down) and washer up tailpiece.
2. Attach longer portion of trap bend to tailpiece. Do not tighten.
3. Place washer on end of wall tube. Slide nut (threads down) onto wall tube. This will connect to trap bend.
4. Slide escutcheon, nut and washer that you saved onto wall tube. (Threads on nut should be facing out.) This will connect to waste pipe.
5. Insert wall tube into waste pipe. Align trap bend and wall tube. Tighten all connections. Turn on water and check for leaks. If leak occurs, tighten nuts slightly.



- A-tailpiece\*
- B-slip nut
- C-washer
- D-trap bend
- E-washer
- F-slip nut
- G-wall tube
- H-escutcheon
- I-slip nut\*
- J-washer\*
- K-threaded waste pipe\*
- \*not included

**(1) 1PNN5**

Made in China  
Manufactured for: Grainger International, Inc.  
Lake Forest, IL 60045  
1 1PNN5