

1 1/2" WALL MOUNT P-TRAP

1PNL1

Used in combination with metal or plastic drain systems.

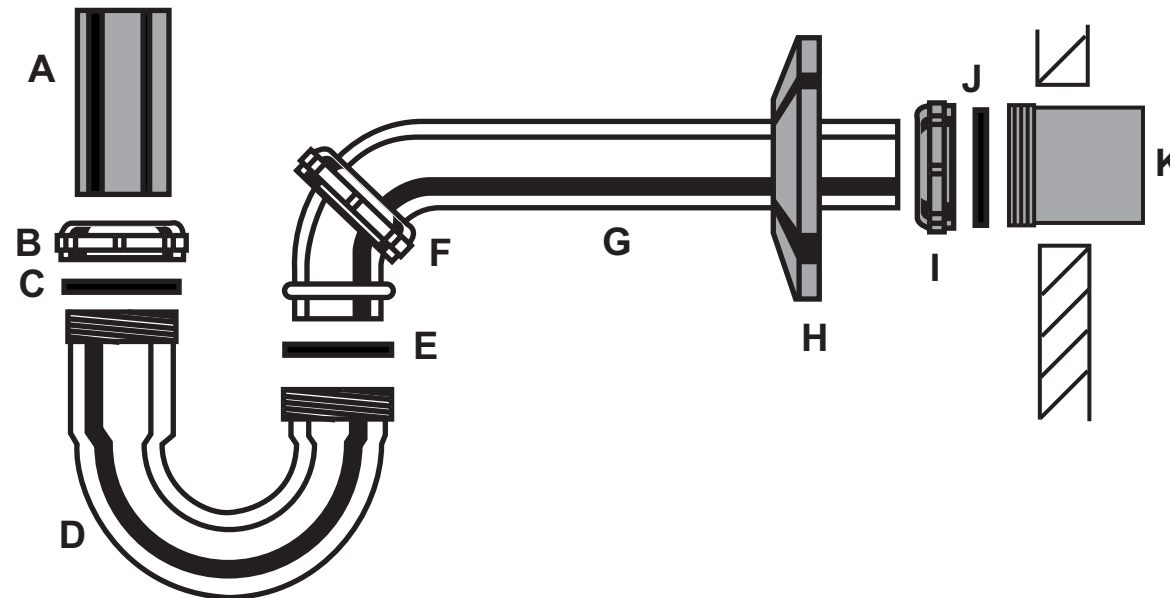
A pipe wrench may be required to install this product and to remove old drain parts.

To remove old drain trap:

1. Loosen upper **B** and lower **F** nuts on trap bend **D**.
2. Remove old trap **D** bend being careful not to spill waste.
3. Loosen wall nut **I** and remove wall tube **G**. Save nut **I** and washer **J**.

To install new drain trap:

1. Slide upper nut **G** (threads down) and washer **C** up tailpiece **A**.
2. Attach longer portion of trap **D** bend to tailpiece **A**. Do not tighten.
3. Place washer **E** on end of wall tube **G**. Slide nut **F** (threads down) onto wall tube. This will connect to trap bend.
4. Slide escutcheon **H**, nut **I** and washer **J** that you saved onto wall tube **G**. (Threads on nut should be facing out.) This will connect to waste pipe **K**.
5. Insert wall tube **G** into waste pipe **K**. Align trap bend **D** and wall tube **G**. Tighten all connections. Turn on water and check for leaks. If leak occurs, tighten nuts slightly.



- A-tailpiece*
 - B-slip nut
 - C-washer
 - D-trap bend
 - E-washer
 - F-slip nut
 - G-wall tube
 - H-escutcheon
 - I-slip nut*
 - J-washer*
 - K-threaded waste pipe*
- *not included

