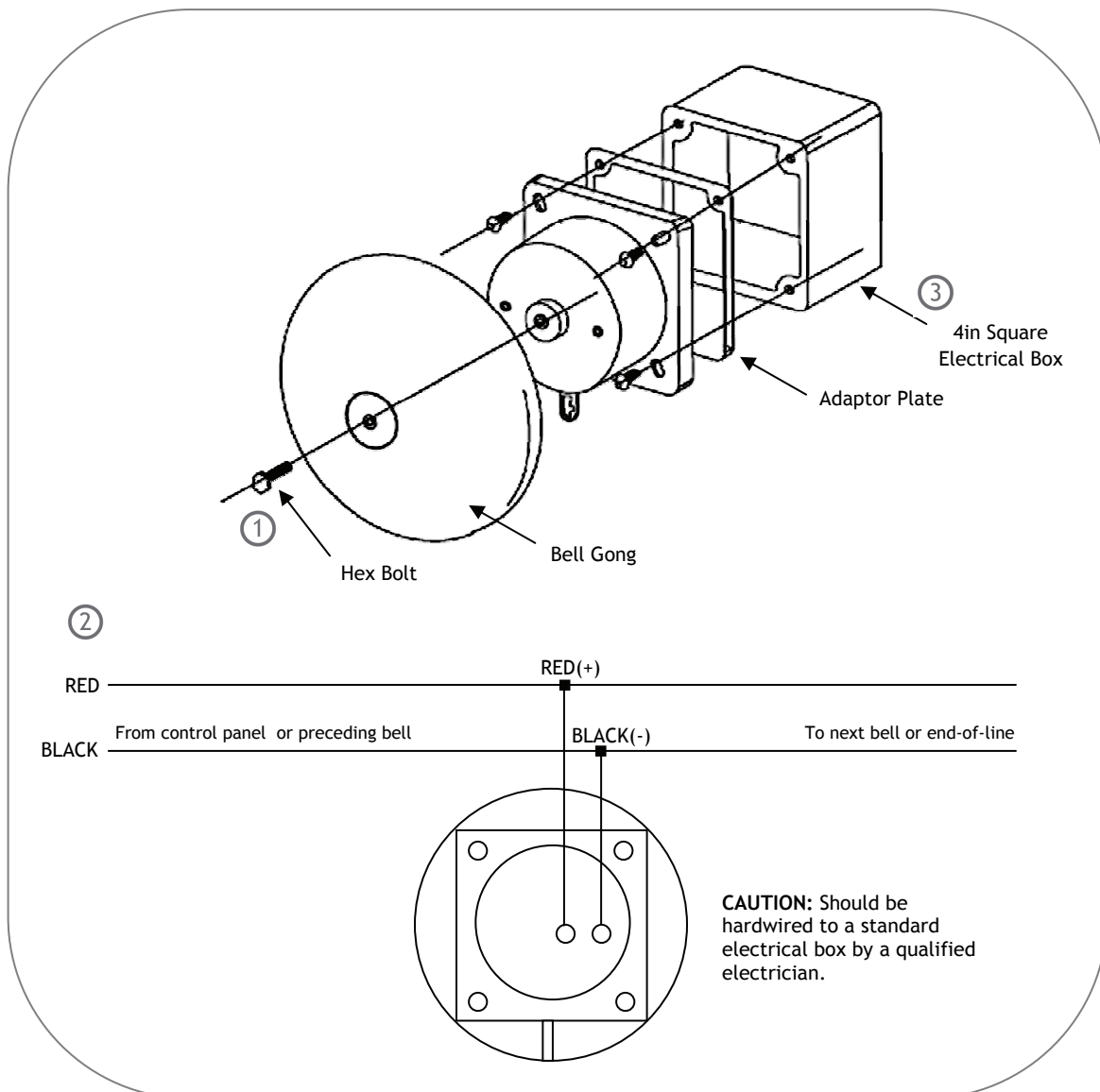


# 24 Volt DC Bell Models 41361 & 41392: Instructions

SIMPLE : SMART™

## INSTALLATION

- ① Remove bell gong by loosening hex bolt.
- ② Wire bell in circuit by connecting Red (+) & Black (-) wires lead wires to corresponding circuit wires.
- ③ Mount bell mechanism on 4in square standard outlet box with striker facing down. Bell must be mounted a minimum of 8ft above floor, or as close to ceiling as possible.
- ④ Replace bell gong & tighten hex bolt.



Pyramid Time Systems, LLC  
45 Gracey Avenue Meriden CT 06450  
888.479.7264 203.238.0550 203.634.1696 fax  
[customerservice@pti.cc](mailto:customerservice@pti.cc) email  
[pyramidtimesystems.com](http://pyramidtimesystems.com)