

Switched Disconnects and Enclosures

Circuit-Lock[®] NEMA 3 and 3R Enclosures with Switch, 30A 2-Pole

HUBBELL

Features

- Non-metallic enclosure
- Ideal for use on outdoor equipment

Ordering Information

| Description | UPC Number | Catalog Number |
|--|--------------|----------------|
| HBL7832D in NEMA 3R non-metallic enclosure, Ideal for use on outdoor equipment | 783585202662 | HBL13R22D |



Listings

UL 508
CSA-C22.2 No.14

Specifications

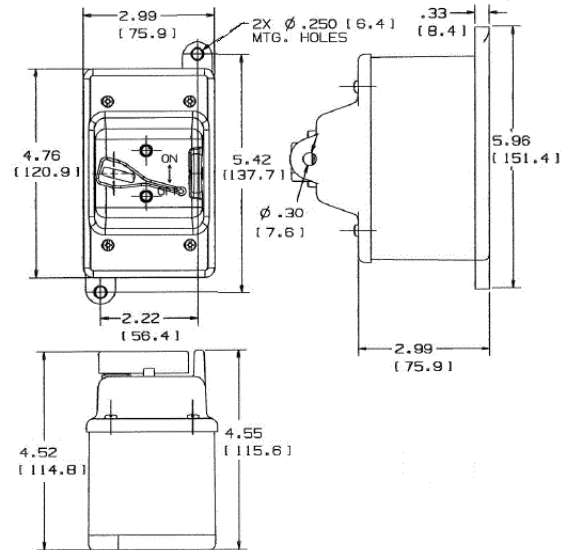
| | |
|--------------------|---------------|
| Enclosure Material | Thermoplastic |
| Water Ingress | 3 |

Performance

| Electrical | |
|--|--|
| Dielectric Voltage | 2,200V AC minimum for 1 minute |
| Electrical Life | Min. 6,000 Cycles at rated switch load |
| Max. Working Voltage | 600V AC RMS |
| Short Circuit Current Ratings (SCCR): (Motor Disconnect) | 60A max. when protected by J fuses |

| Mechanical | |
|-------------------------|-------------------------------------|
| Mechanical Life | 10,000 minimum cycles |
| Terminal Accommodations | #10 AWG Max. |
| Wire Type | Solid and stranded copper wire only |

| Environmental | |
|-----------------------|--|
| Flammability | UL94HB/VO |
| Operating Temperature | Max. Continuous: 75°C; Min. Continuous: -40°C without impact |



Online Resources

Customer Use Drawing
eCatalog
Installation Instructions

Dimensions in Inches (mm)

Hubbell Wiring Device-Kellems • Hubbell Incorporated (Delaware) • 40 Waterview Drive • Shelton, CT 06484

Phone (800) 288-6000 • Fax (800) 255-1031 • Specifications subject to change without notice.

