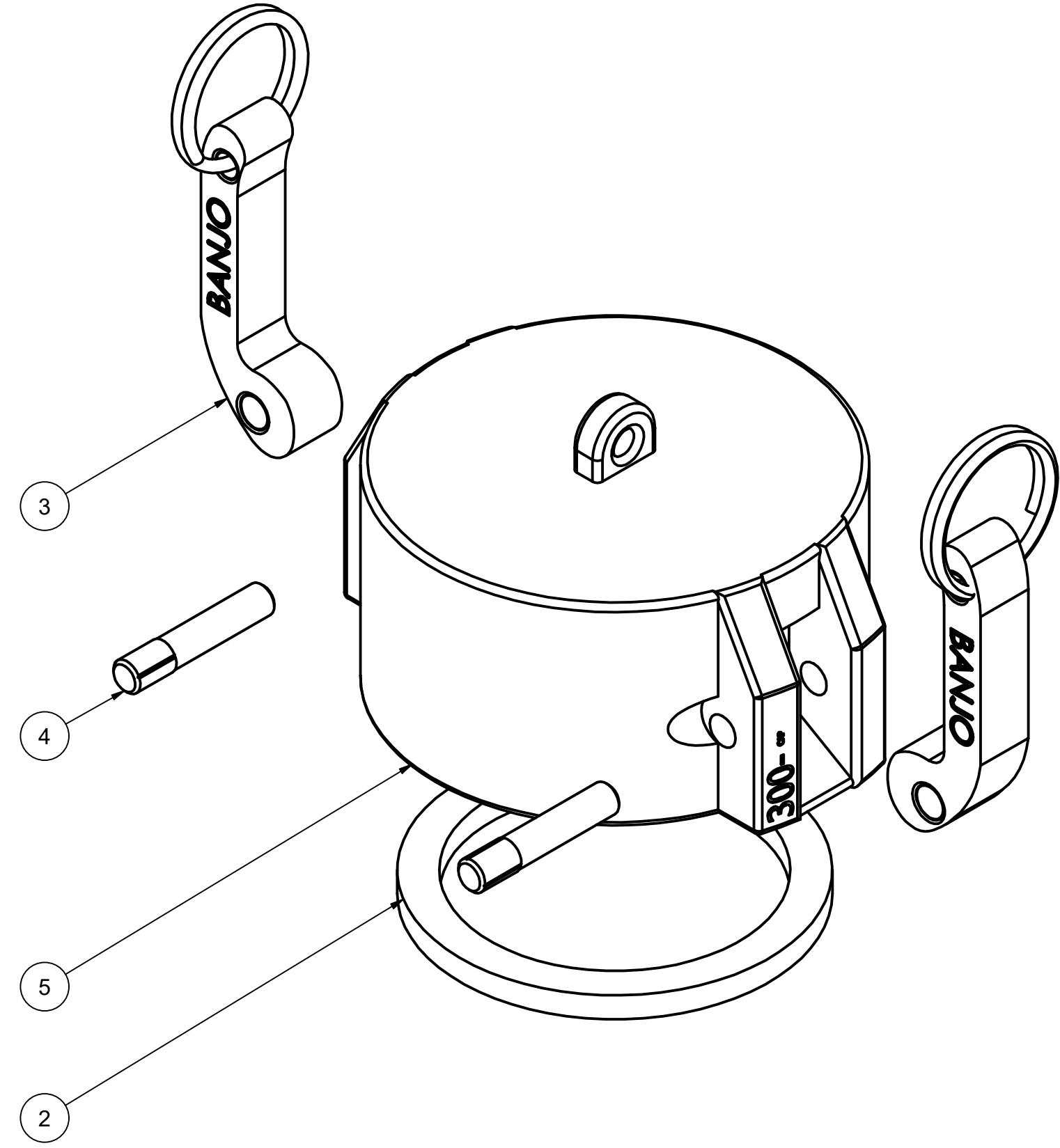
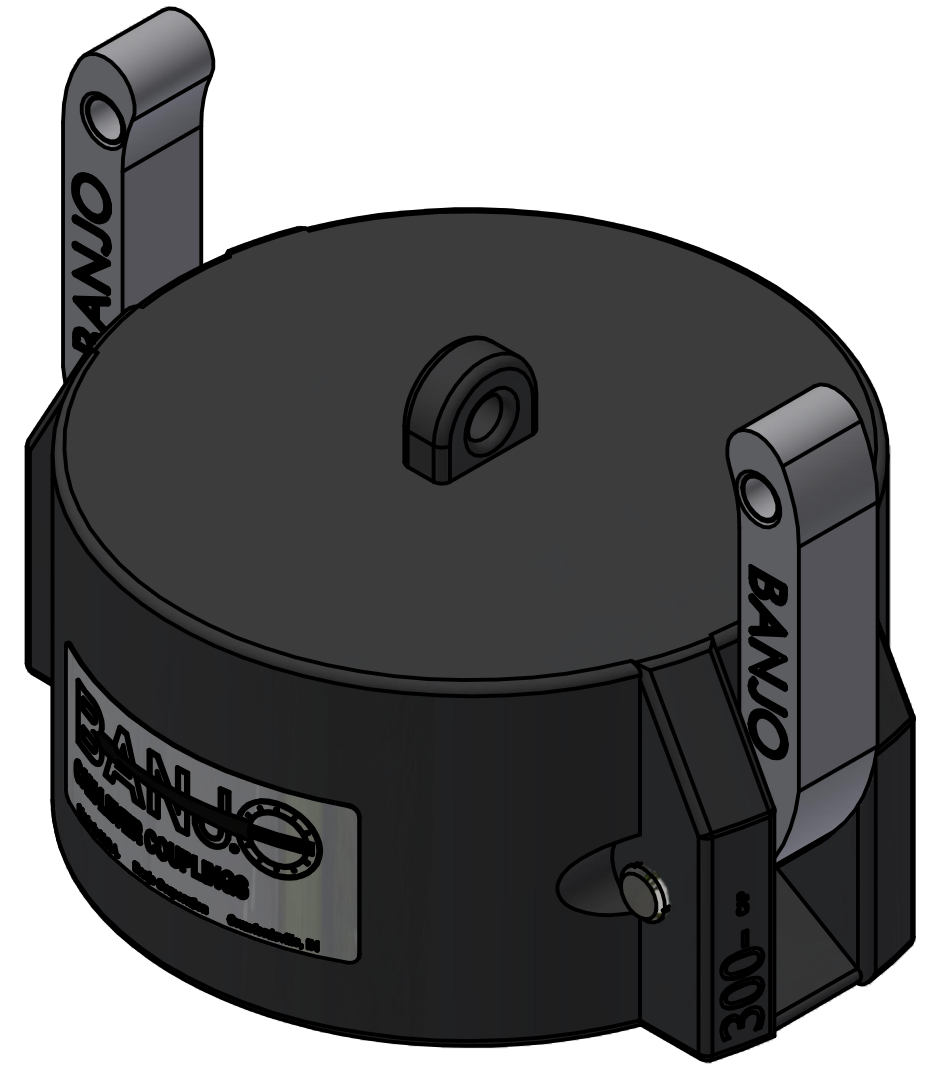
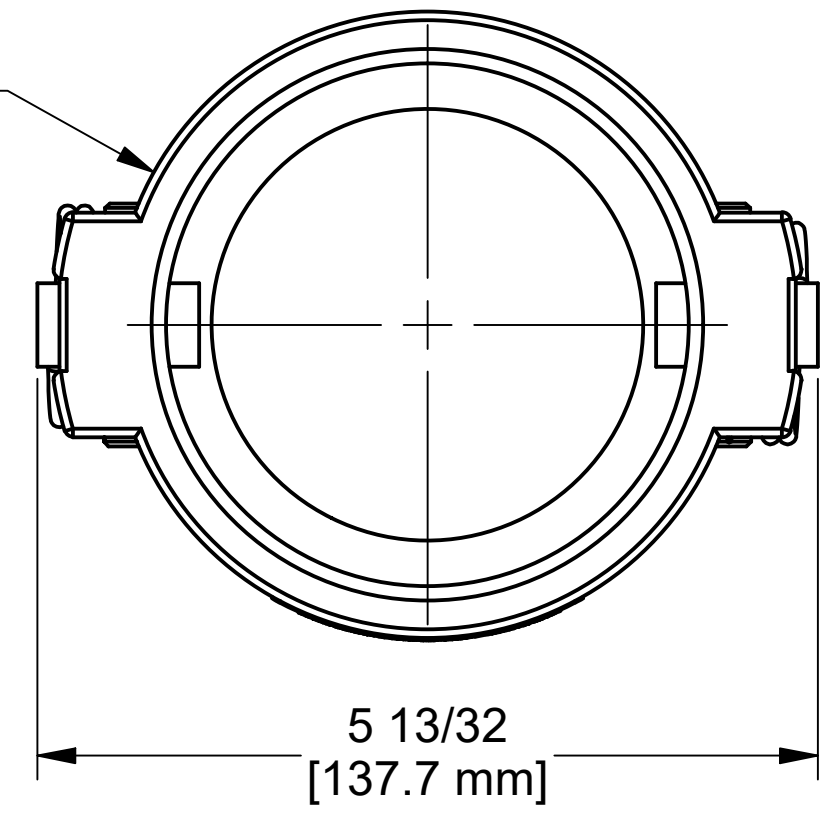
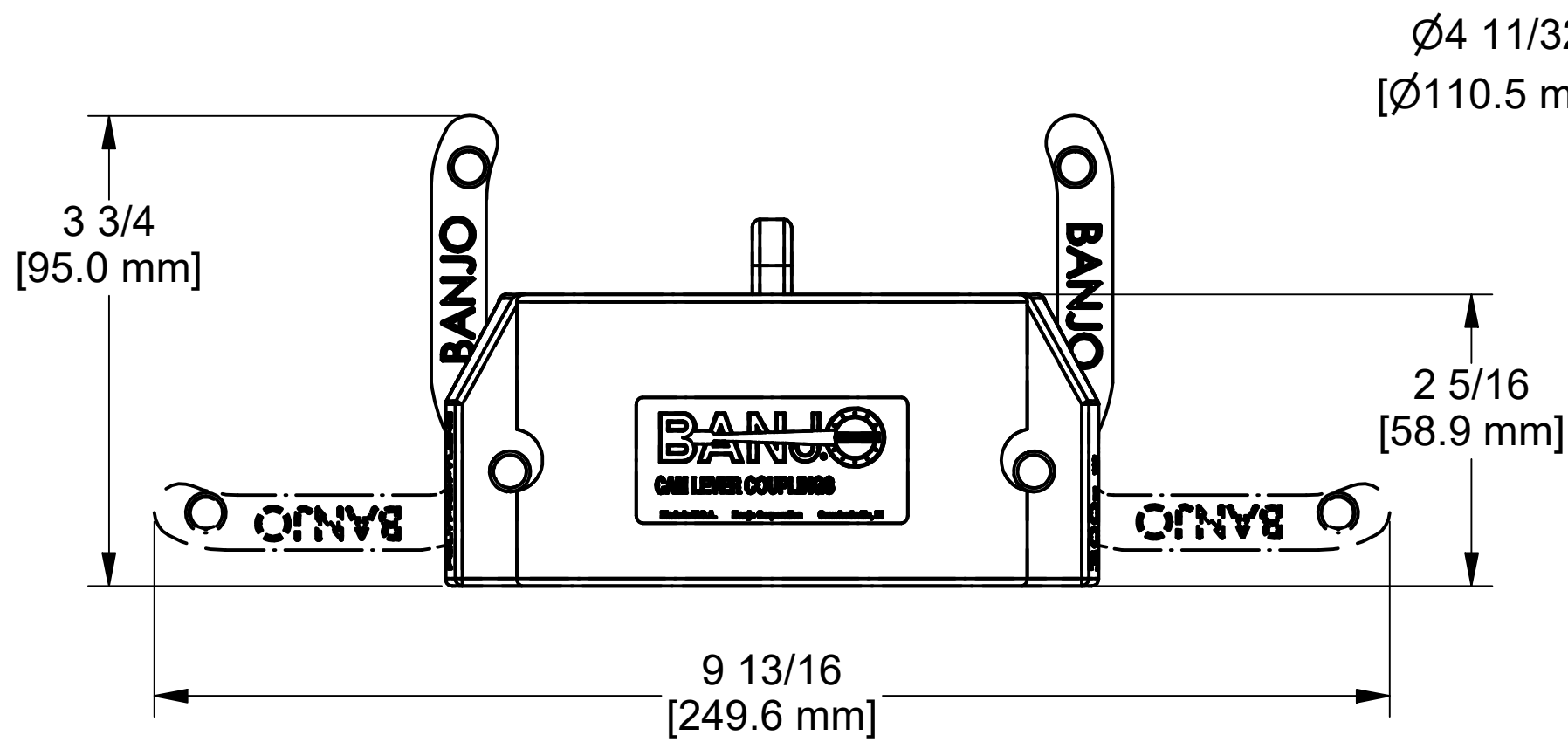


PARTS LIST			
ITEM	QTY	PART NUMBER	DESCRIPTION
2	1	300G	3" COUPLING GASKET, EPDM
3	2	300K	CAM ARM
4	2	300P	CAM ARM PIN
5	1	300XCAP	3" COUPLING CAP, MOLDED



THIS DRAWING AND ALL INFORMATION CONTAINED THEREON ARE THE EXCLUSIVE PROPERTY OF BANJO CORPORATION.

UNLESS SPECIFICALLY NOTED, THIS DRAWING AND ITEMS SHOWN ON THIS DRAWING ARE SUBJECT TO CHANGE AT ANY TIME.

BANJO CORPORATION
150 BANJO DRIVE, CRAWFORDSVILLE, IN 47933
WEB SITE: WWW.BANJOCORP.COM
E-MAIL: BANJOSALES@IDEXCORP.COM

DESCRIPTION
3" COUPLING CAP

PART NUMBER
300CAP