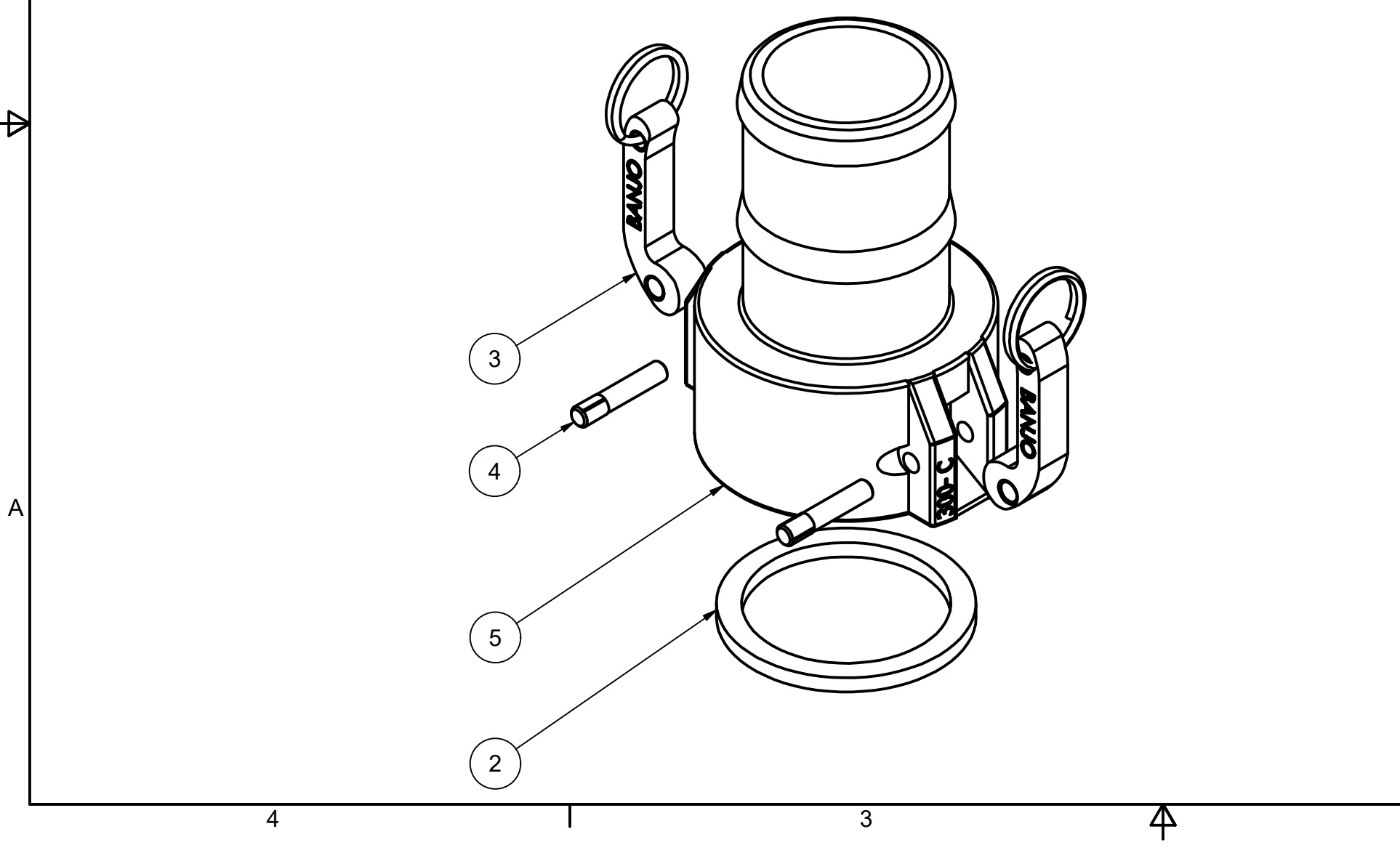
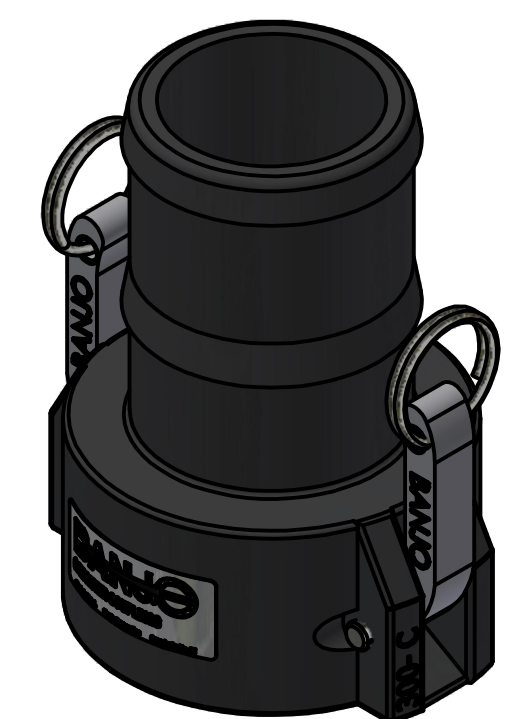


Parts List			
ITEM	QTY	PART NUMBER	DESCRIPTION
2	1	300G	3" COUPLING GASKET, EPDM
3	2	300K	CAM ARM
4	2	300P	CAM ARM PIN
5	1	300XC	3" FEMALE COUPLER X 3" HOSE BARB, MOLDED



THIS DRAWING AND ALL INFORMATION CONTAINED THEREON ARE THE EXCLUSIVE PROPERTY OF BANJO CORPORATION.

UNLESS SPECIFICALLY NOTED, THIS DRAWING AND ITEMS SHOWN ON THIS DRAWING ARE SUBJECT TO CHANGE AT ANY TIME.

**BANJO**  
CORPORATION

**BANJO CORPORATION**  
150 BANJO DRIVE, CRAWFORDSVILLE, IN 47933  
WEB SITE: WWW.BANJOCORP.COM  
E-MAIL: BANJOSALES@IDEXCORP.COM

DESCRIPTION	3" FEMALE COUPLING X HOSE BARB
PART NUMBER	300C