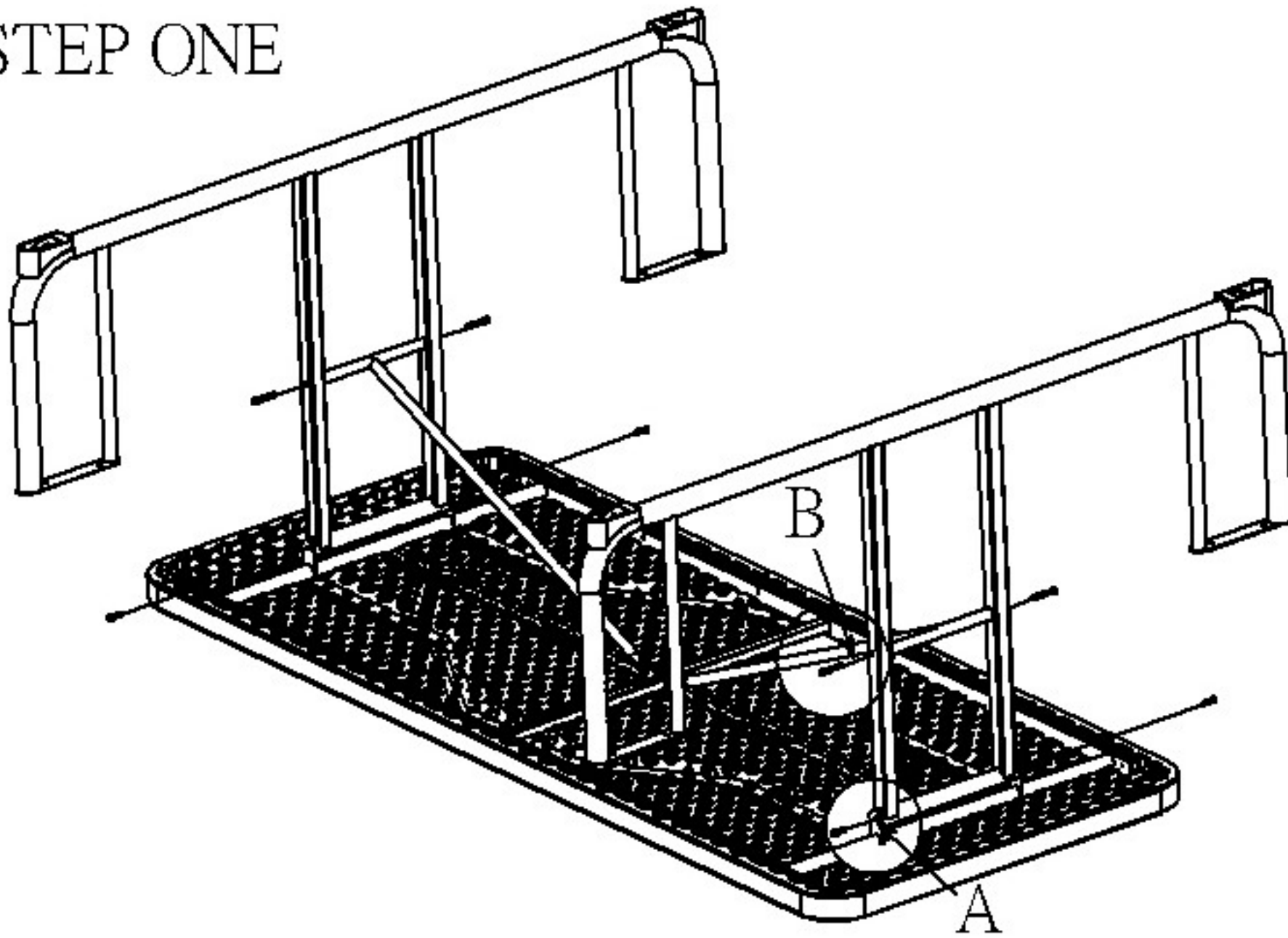


# ASSEMBLY INSTRUCTIONS

## STEP ONE

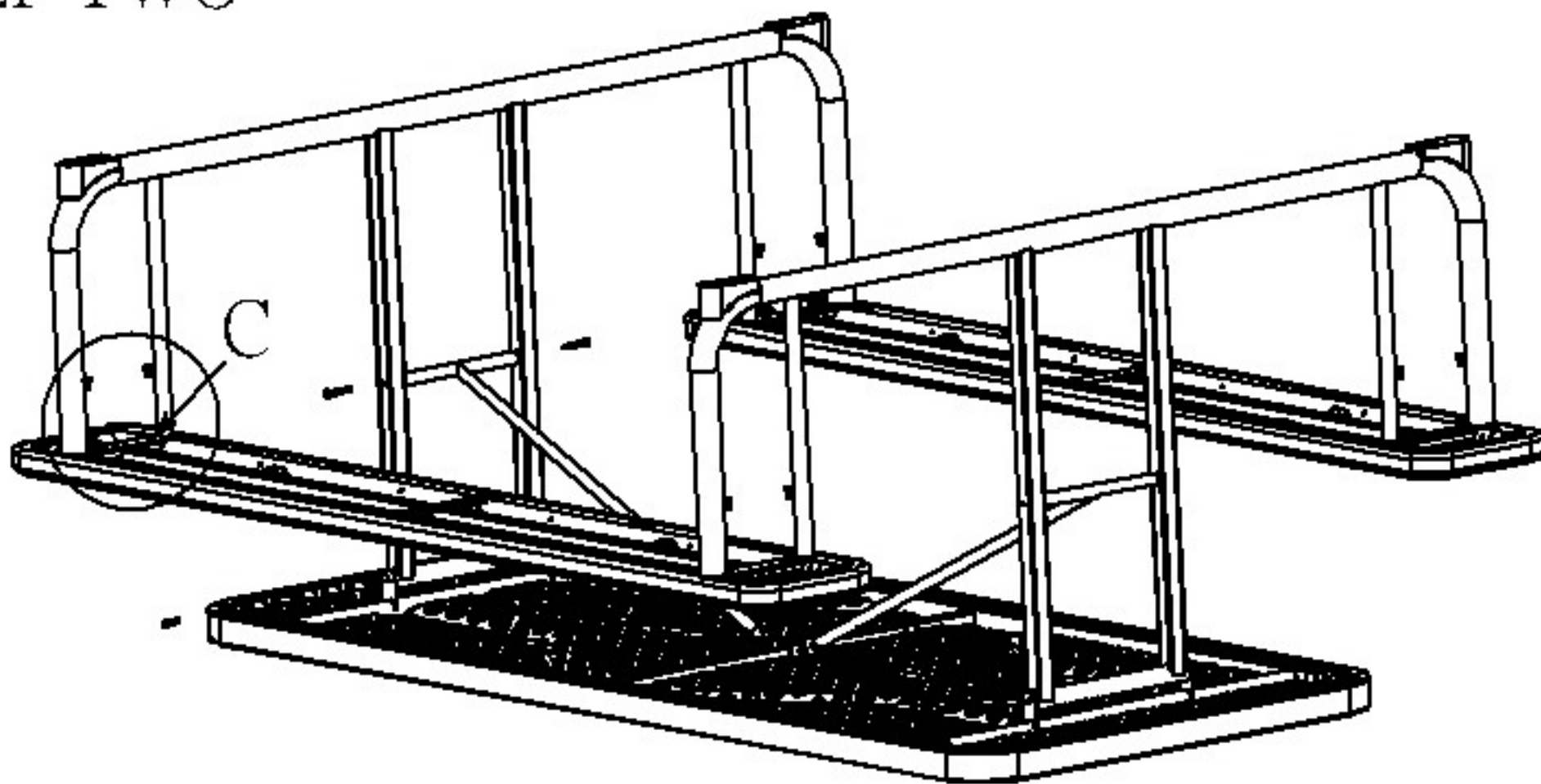


I. Turn over the table top.

4 MEDIUM(M6 x20mm) screws assemble brackets on both ends of table top at A position.

II. 4 LONGEST(M6x45mm) screws to attach leg tube with cross bar at B position.

## STEP TWO



III. 8 SHORTEST(M6 x 12mm) screws to attach "U" shaped frame with square tube of bench C position.

IV. Ensure all screws been tighten at right positon.