

**Raceway**  
**Non-Metallic Raceway**  
**PB3 BaseTrak® 2-Gang Full Capacity Box**

# HUBBELL

**Features**

- 1-, 2- and 3-Gang boxes that allows full capacity from PB3 Raceway to box for either power or datacom applications.
- See page R-63 for recommended single gang “KP” plate options.

**Ordering Information**

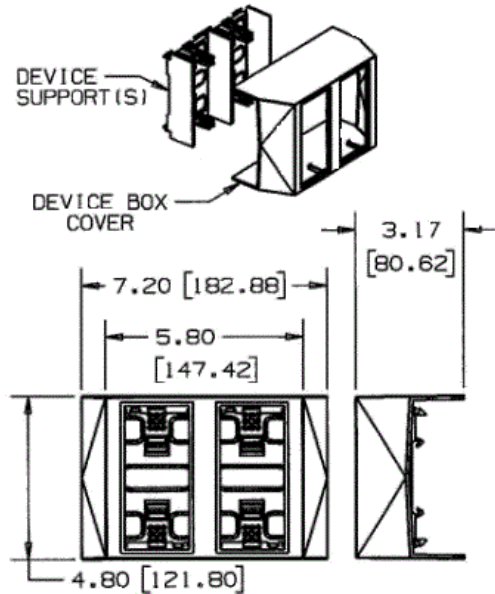
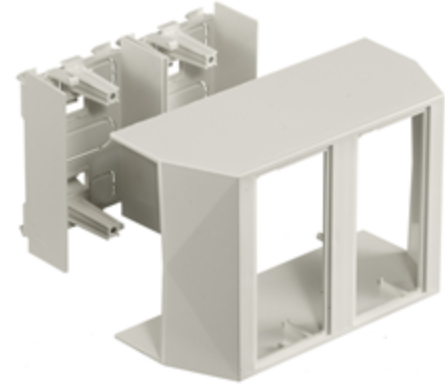
Description	Color	UPC Number	Catalog Number
2-Gang Full Capacity Box	Office White	783585090955	PB3FCIB2G

**Listings**

UL Listed  
 CSA Certified

**Specifications**

Height	4.80"
Width	7.20"
Length	3.17"



**Online Resources**

Customer Use Drawing  
 eCatalog  
 Installation Instructions

Dimensions in Inches (mm)

Hubbell Wiring Device-Kellems • Hubbell Incorporated (Delaware) • 40 Waterview Drive • Shelton, CT 06484

Phone (800) 288-6000 • Fax (800) 255-1031 • Specifications subject to change without notice.

