

Raceway
Non-Metallic Raceway
PB3 BaseTrak® 1-Gang Full Capacity Box

HUBBELL

Features

- 1-, 2- and 3-Gang boxes that allows full capacity from PB3 Raceway to box for either power or datacom applications.
- See page R-63 for recommended single gang “KP” plate options.

Ordering Information

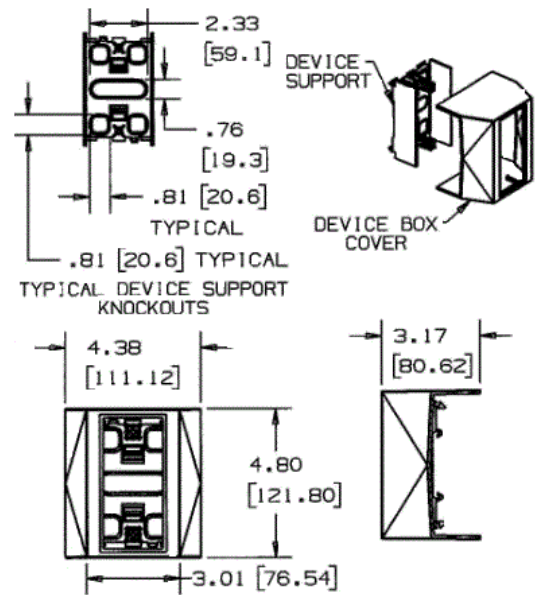
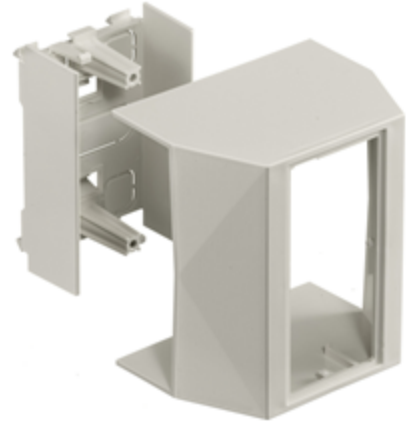
Description	Color	UPC Number	Catalog Number
1-Gang Full Capacity Box	Office White	783585090948	PB3FCIB

Listings

UL Listed
 CSA Certified

Specifications

Height	4.80"
Width	4.38"
Length	3.17"



Online Resources

Customer Use Drawing
 eCatalog
 Installation Instructions

Dimensions in Inches (mm)

Hubbell Wiring Device-Kellems • Hubbell Incorporated (Delaware) • 40 Waterview Drive • Shelton, CT 06484

Phone (800) 288-6000 • Fax (800) 255-1031 • Specifications subject to change without notice.

