

Raceway Non-Metallic Raceway PB3 BaseTrak[®] Base and Cover

HUBBELL

Features

- Three channel raceway
- Available in 5 ft. (1.5m) and 10 ft. (3m) lengths.

Ordering Information

Description	Color	UPC Number	Catalog Number
Base and Cover	Office White	783585090764	PB3BC10

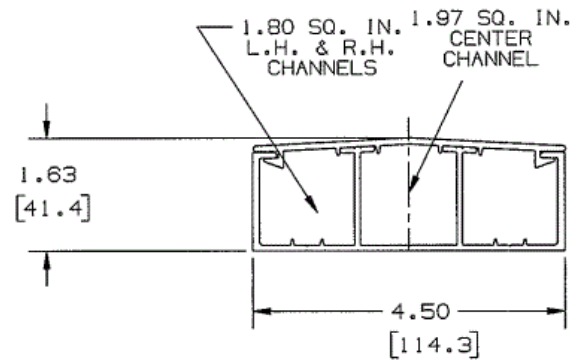


Listings

UL Listed
CSA Certified

Specifications

Height	1.63"
Width	4.50"
Length	10'



Online Resources

Customer Use Drawing
eCatalog
Installation Instructions

Dimensions in Inches (mm)

Hubbell Wiring Device-Kellems • Hubbell Incorporated (Delaware) • 40 Waterview Drive • Shelton, CT 06484

Phone (800) 288-6000 • Fax (800) 255-1031 • Specifications subject to change without notice.

