

QD, STANDARD, & DELUXE

APPLICATIONS

- Quick Disconnect (QD) & Capacitor Run Control (CRC) - These control boxes are designed for use with Franklin 3-wire single-phase submersible motors through 1 hp. The Standard and Deluxe control boxes are designed for use with Franklin 3-wire, single-phase submersible motors from 1 hp through 15 hp, and are recommended for water systems that use pressure switches, level switches, or other pilot devices.

FEATURES: ALL

- Suitable for outdoor mounting
- Capacitor start/run design (except QD boxes)
- UL Listed for US and Canada (60 Hz models)

FEATURES: STANDARD AND DELUXE

- Heavy-duty, box-type terminals accept up to AWG #2 wire
- External access to overload resets
- Multiple-size knockouts
- User-friendly connection diagrams
- Easy access to grounding lugs



SINGLE-PHASE SPECIFICATIONS

Box Type	HZ	HP Range	KW Range	Enclosure	Terminal Block		Mag Contactor	Agency Approvals
					Terminals	Max Wire		
Quick Disconnect (QD)	60	1/3 - 1	0.25 - 0.75	NEMA 3R, IP23	5	AWG 10	No	UL listed for US and Canada
Capacitor Run Control (CRC)	60	1/2 - 1	0.37 - 0.75	NEMA 3R, IP23	5	AWG 10	No	UL listed for US and Canada
Standard (S)	60	1 - 10	0.75 - 7.5	NEMA 3R, IP23	5	AWG 2	No	UL listed for US and Canada
Deluxe (D)	60	2 - 15	1.5 - 11	NEMA 3R, IP23	6	AWG 2	Yes	UL listed for US and Canada

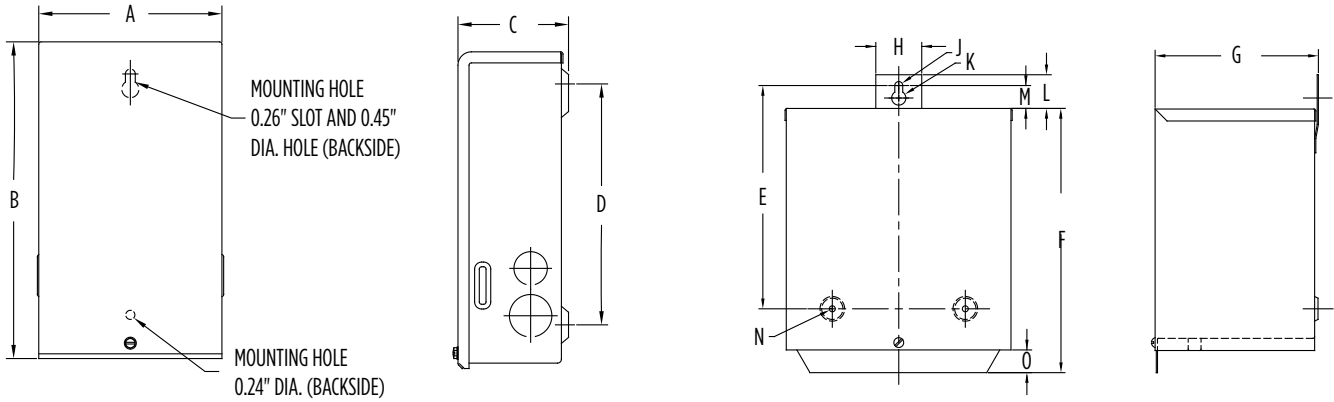
SERIES SPECIFICATIONS

Item No.	Model/Grainger Item Number	HP (KW)	Phase	Volts	Hz	Type
2801024915	1LZW9	1/3 / 0.25	1	115	60	QD
2801034915	1LZX1			230	60	QD
2801044915	1LZX2	115		60	QD	
2801054915	1LZV8	1/2 / 0.37		230	60	QD
2824055015	1LZX3			230	60	CRC
2801074915	1LZV9	3/4 / 0.55		220	60	QD
2824075015	1LZX4			230	60	CRC
2801084915	1LZV7	1 / 0.75		230	60	QD
2824085015	1LZX5			230	60	CRC
2823008110	1LZX6	1.5 / 1.1		230	60	S
2823018110	1LZW5	2 / 1.5		230	60	S
2823018310	1LZW4			230	60	D
2823028110	1LZW7	3 / 2.2	230	60	S	
2823028310	1LZW3		230	60	D	
2821138110	1LZW5	5 / 3.7	230	60	S	
2821139310	1LZW8		230	60	D	
2822019310	1LZW1	7.5 / 5.5	230	60	D	
2822029330	1LZW2	10 / 7.5	230	60	D	

NOTE: Q = Quick Disconnect Control Box; CRC = Capacitor Run Control Box; S = Standard Control Box; D = Deluxe Control Box

QD, STANDARD, & DELUXE

ENGINEERING DATA



QUICK DISCONNECT AND CAPACITOR RUN CONTROL BOX

STANDARD AND DELUXE CONTROL BOX

A	B	C	D	E	F	G	H	J	K	L	M	N	O
4.81"	8.41"	2.84"	6.35"	7.88"	9.31"	5.84"	1.62"	R.14"	R.25"	1.19"	.81"	Ø.21	.80"