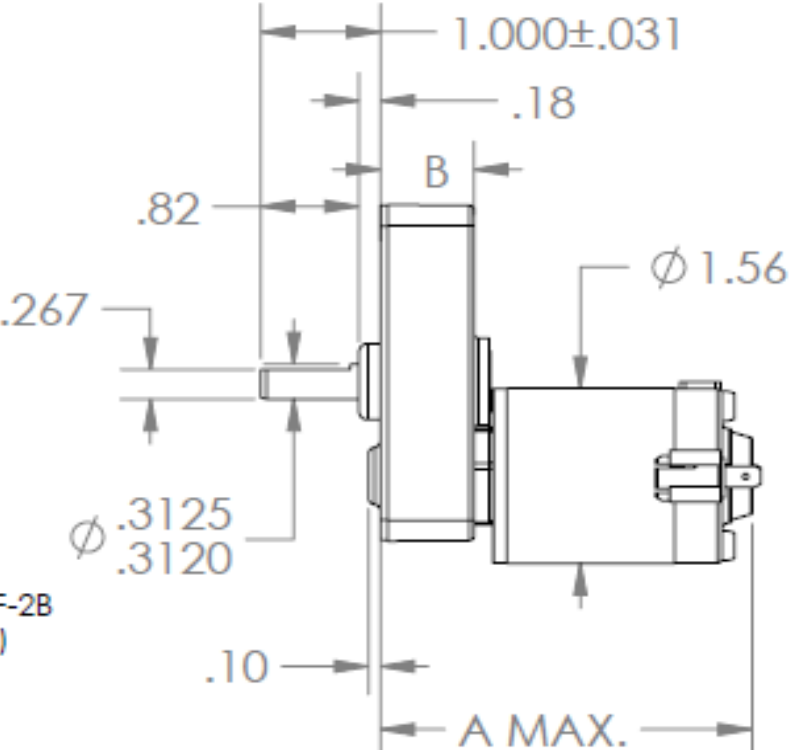
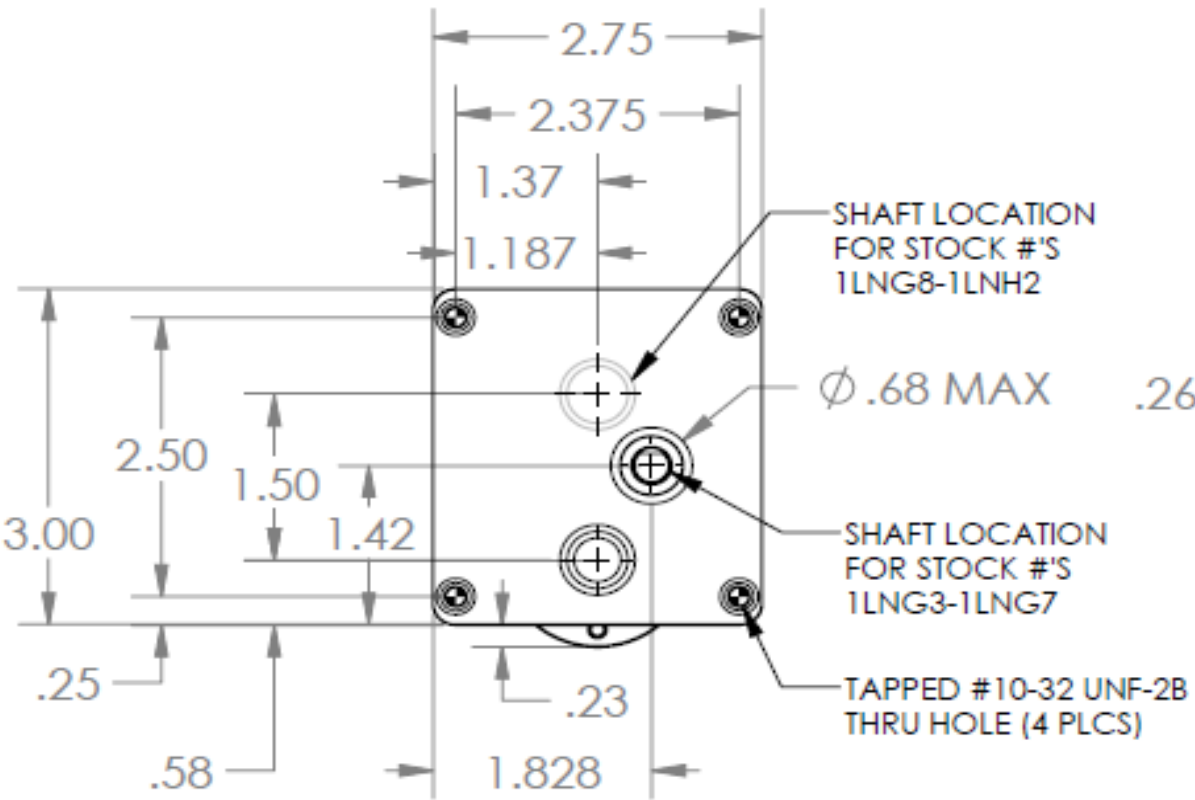


# Dimensional Drawing



<b>1LNG9</b>	REV. -
--------------	-----------



STOCK NO.	"A"	"B"
1LNG3	3.20	0.94
1LNG4	3.20	0.94
1LNG5	3.20	0.94
1LNG6	3.20	0.94
1LNG7	3.20	0.94
1LNG8	3.22	0.72
1LNG9	2.97	0.72
1LNH1	3.22	0.72
1LNH2	3.22	0.72

DRAWING NO.	PAGE 1 of 1	REV.
1LNG9		-

©2016 W.W. Grainger, Inc. This design may not be reproduced, modified or redistributed without written permission from W.W. Grainger, Inc.