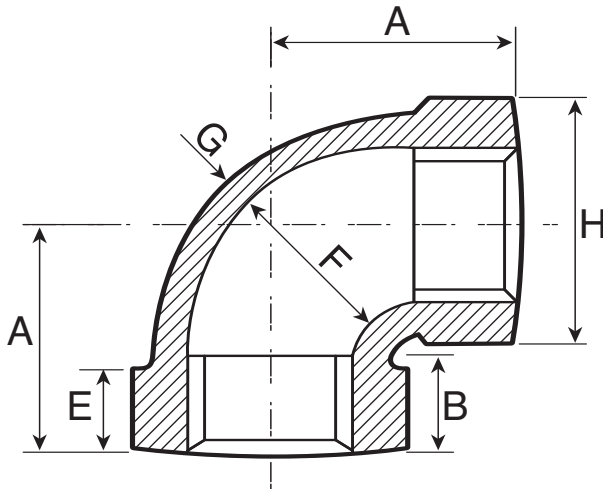


MALLEABLE IRON

90° ELBOW - BLACK

Features

- 300 Class
- 100% Inspected and tested



Part No.	Size	Threaded
1LBU1	1/4"	Threaded
1LBU2	3/8"	Threaded
1LBU3	1/2"	Threaded
1LBU4	3/4"	Threaded
1LBU5	1"	Threaded
1LBU6	1-1/4"	Threaded
1LBU7	1-1/2"	Threaded
1LBU8	2"	Threaded
1LBU9	2-1/2"	Threaded
1LBV1	3"	Threaded

- Material meets ANSI/ASME A 197-79 standard
- Dimensions meet ANSI/ASME B16.14 standard
- Threads meet ANSI B1.20.1

Dimensions are in inches

Part No.	Size	A	B	E	F min	F max	G	H
1LBU1	1/4"	0.94	0.43	0.38	0.54	0.58	0.14	0.93
1LBU2	3/8"	1.06	0.47	0.44	0.67	0.72	0.15	1.12
1LBU3	1/2"	1.25	0.57	0.50	0.84	0.90	0.16	1.34
1LBU4	3/4"	1.44	0.64	0.56	1.05	1.11	0.18	1.63
1LBU5	1"	1.63	0.75	0.62	1.31	1.38	0.20	1.95
1LBU6	1-1/4"	1.94	0.84	0.69	1.66	1.73	0.22	2.39
1LBU7	1-1/2"	2.13	0.87	0.75	1.90	1.97	0.24	2.68
1LBU8	2"	2.50	1.00	0.84	2.37	2.44	0.26	3.28
1LBU9	2-1/2"	2.94	1.17	0.94	2.87	2.97	0.31	3.86
1LBV1	3"	3.38	1.23	1.00	3.50	3.60	0.35	4.62