

# Installation



## Security Grab Bars - Exposed Mounting

SA70 Series

-001 configuration shown. See Bradley's website for other configurations.

### WARNING

Unit is supplied with 1/4" - 20 x 1-1/2" T27 torx head machine screws for installation to wall anchors (not included). Wall anchors/backing used must provide adequate support for the intended load requirements.

Grab bars are no stronger than the anchors and walls to which they are attached, and therefore, must be firmly secured in order to support the intended load requirements. To avoid potential injury, the building owner or maintenance personnel should remove the grab bar from service if the mounting is not adequately secured to the wall or if there are any observed product defects.

### CAUTION

Personal Protective Equipment (PPE) is required during the installation of this product.

### IMPORTANT

Read this entire installation manual to ensure proper installation. When finished with the installation, file this manual with the owner or maintenance department. Compliance and conformity to local codes and ordinances is the responsibility of the installer.

Separate parts from packaging and make sure all parts are accounted for before discarding any packaging material. If any parts are missing, do not begin installation until you obtain the missing parts.

Product warranties may be found under "Products" on our website at [www.bradleycorp.com](http://www.bradleycorp.com).



## Installation



Verify all rough-in dimensions prior to installation.



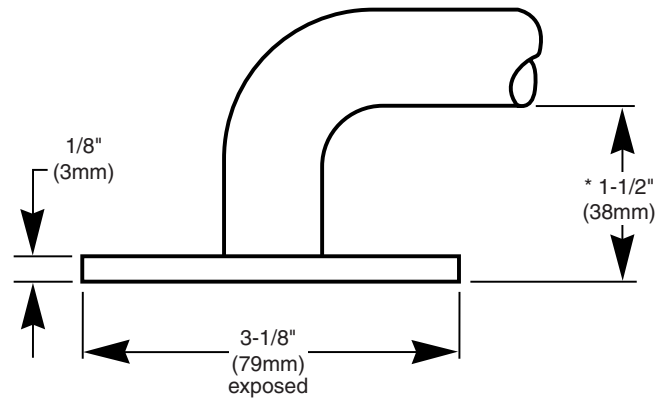
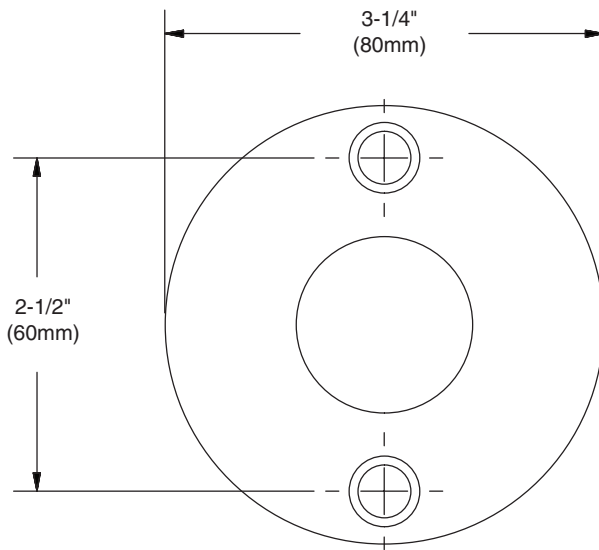
**WARNING** Wall must be reinforced in the area of the grab bar in order to support the load it is intended to support.

1. Using the bar as a template, mark the mounting hole location onto the wall.
2. Drill holes and set anchors as appropriate.
3. Mount grab bar and secure mounting screws.



For more information on Bradley's grab bar mounting kits, please visit [www.bradleycorp.com](http://www.bradleycorp.com)

## Mounting Flange Dimensions



\* 1-1/2" wall clearance required under most building design codes