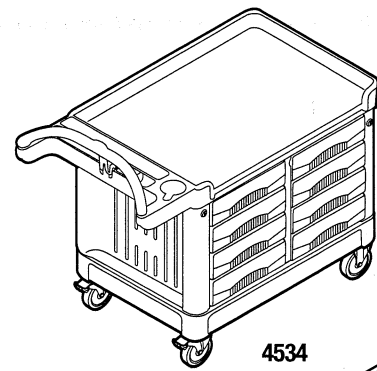
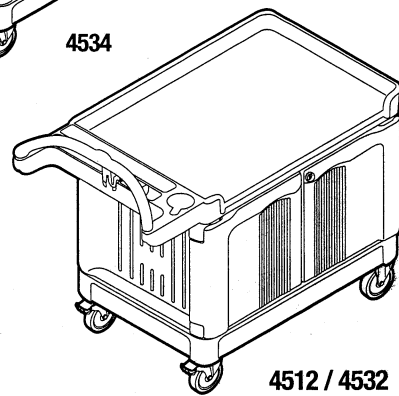


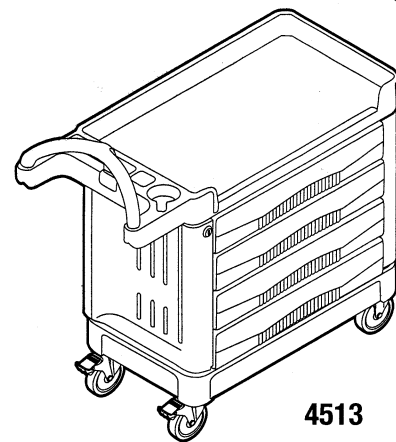
**Rubbermaid**<sup>®</sup>  
Commercial Products



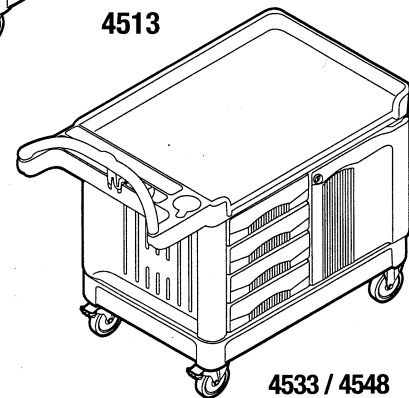
4534



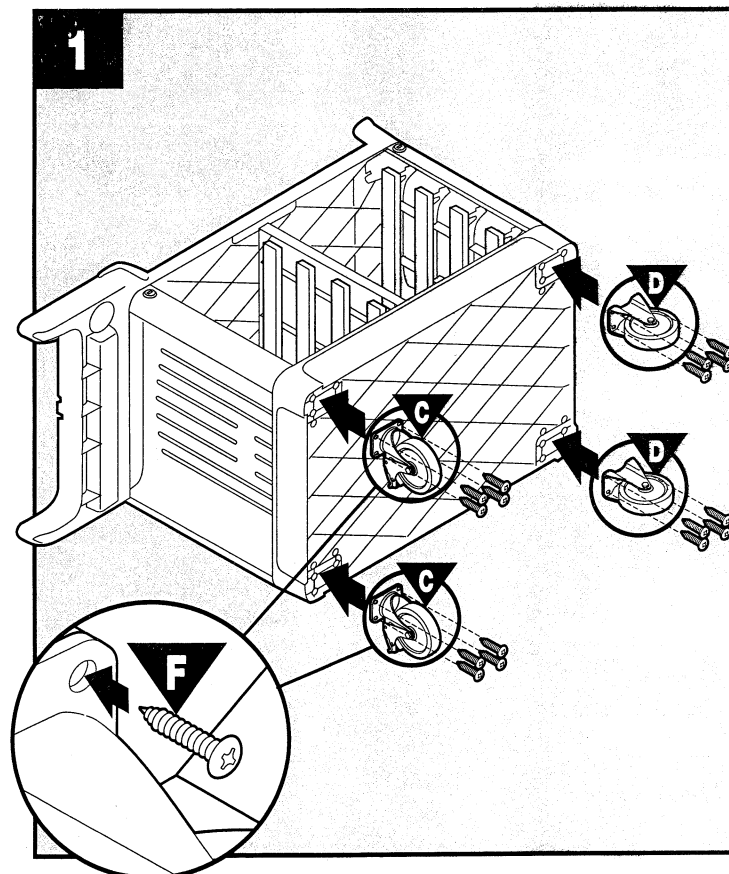
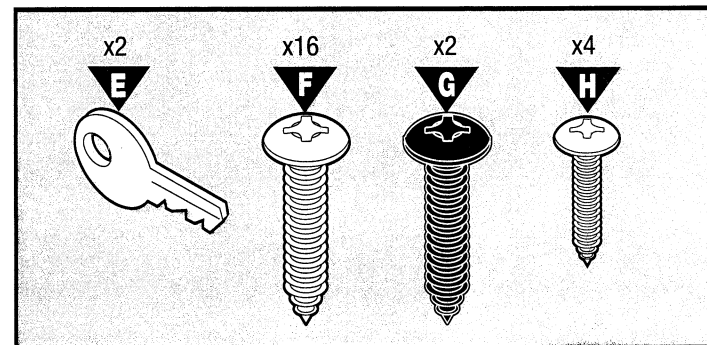
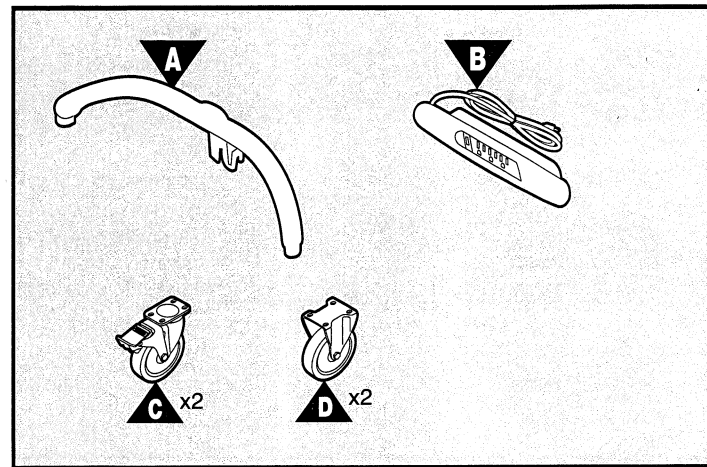
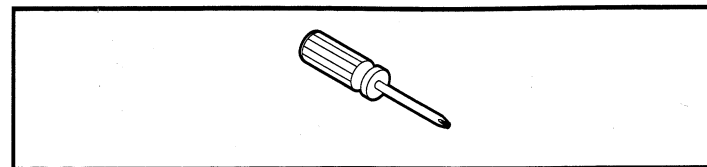
4512 / 4532



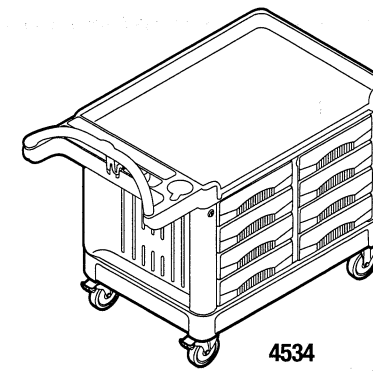
4513



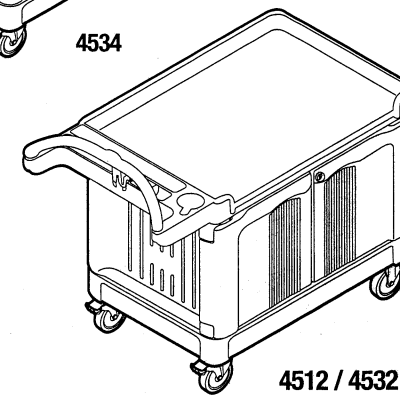
4533 / 4548



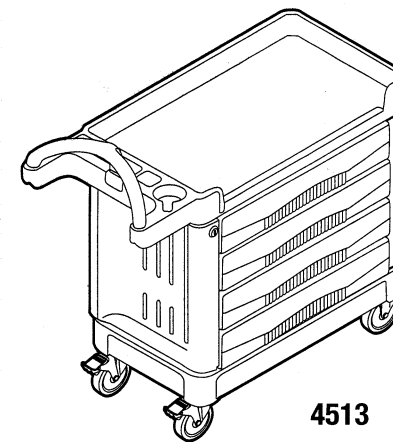
**Rubbermaid**<sup>®</sup>  
Commercial Products



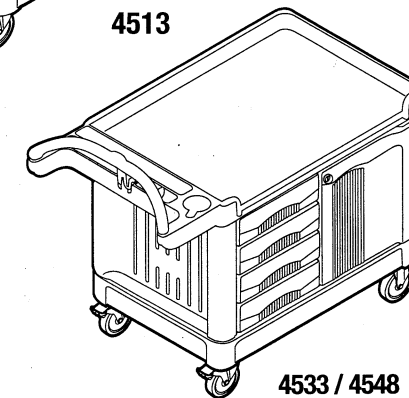
4534



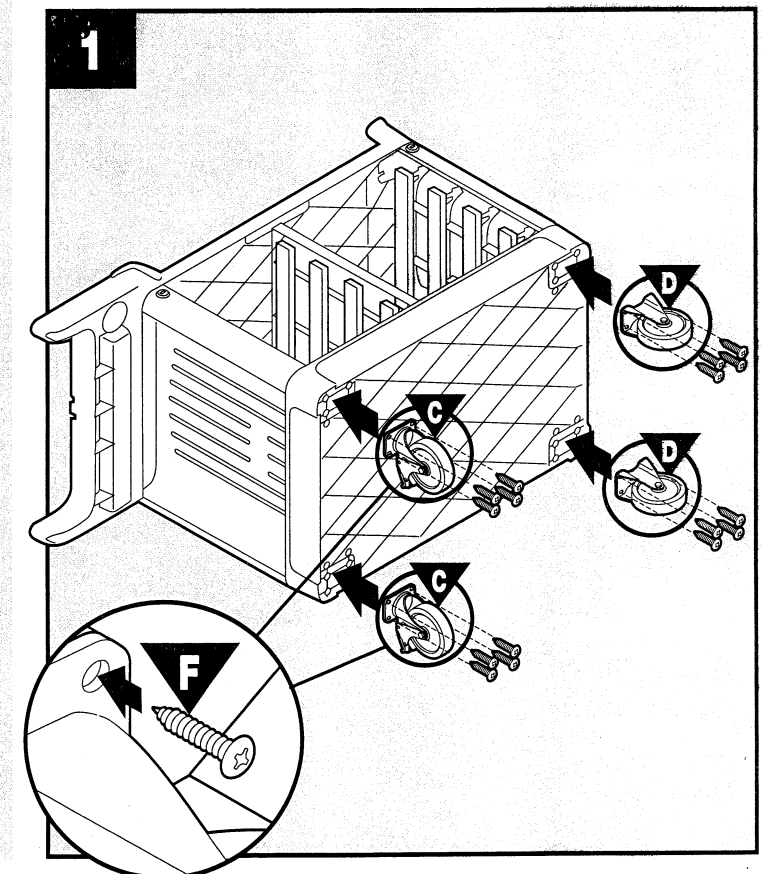
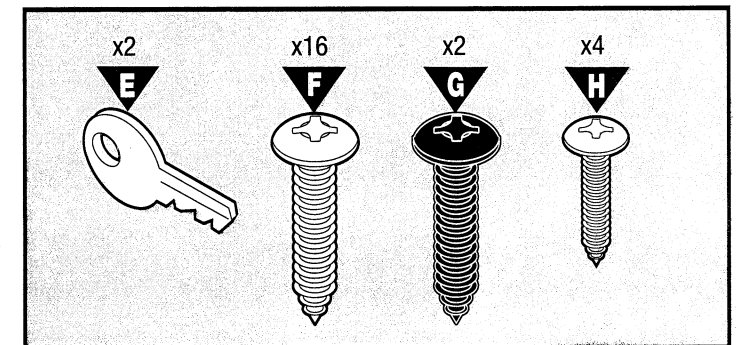
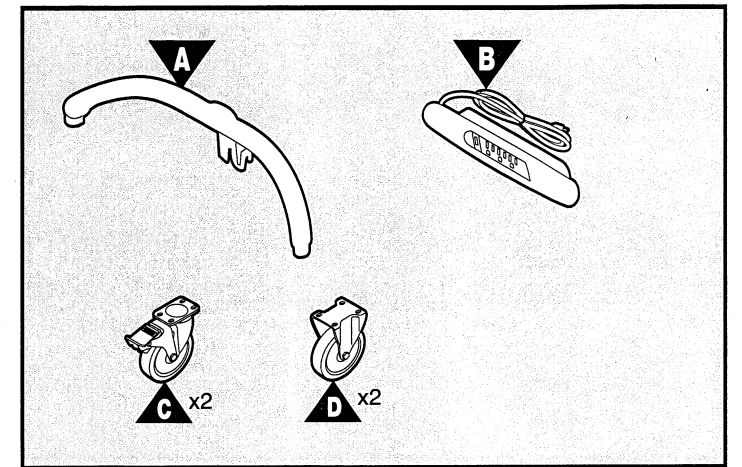
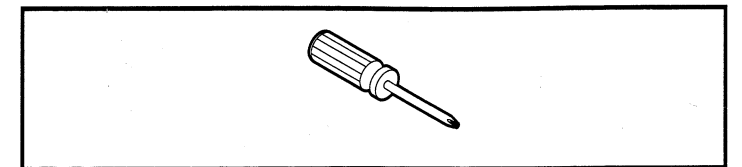
4512 / 4532

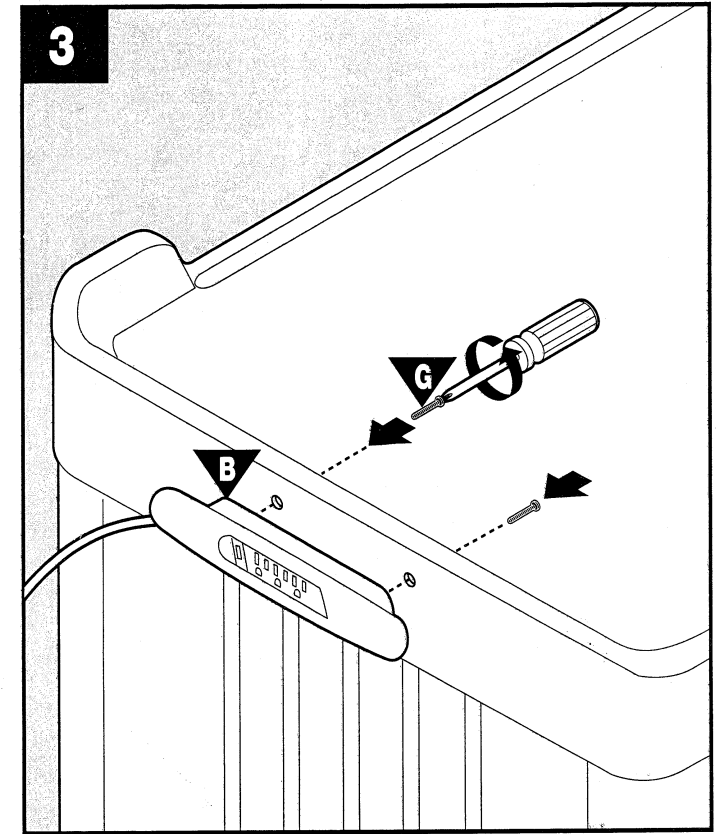
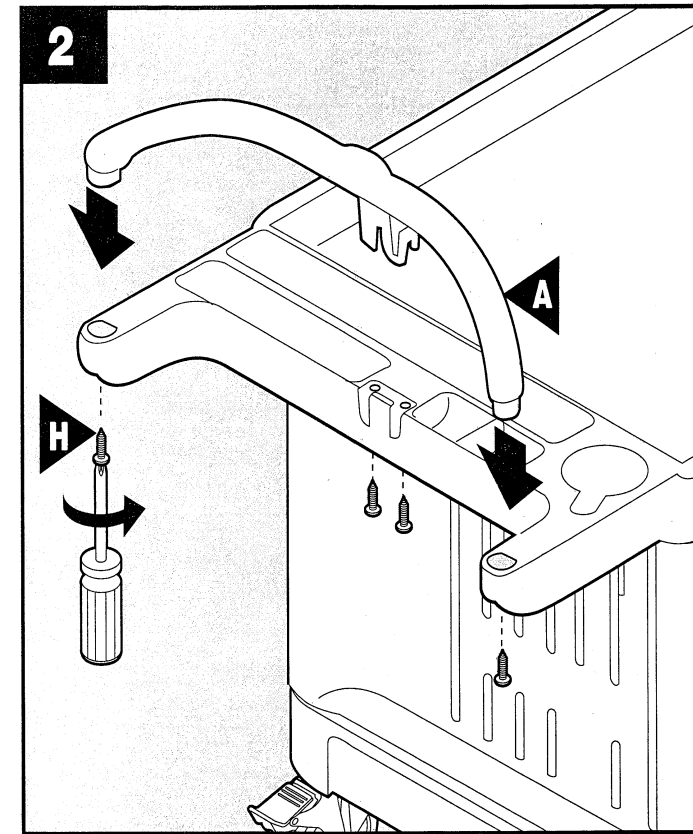
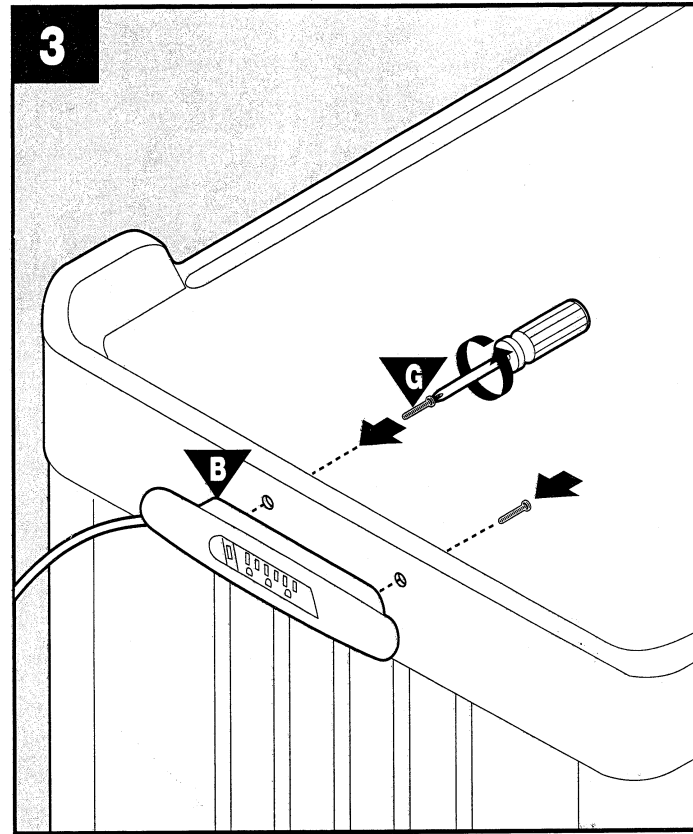
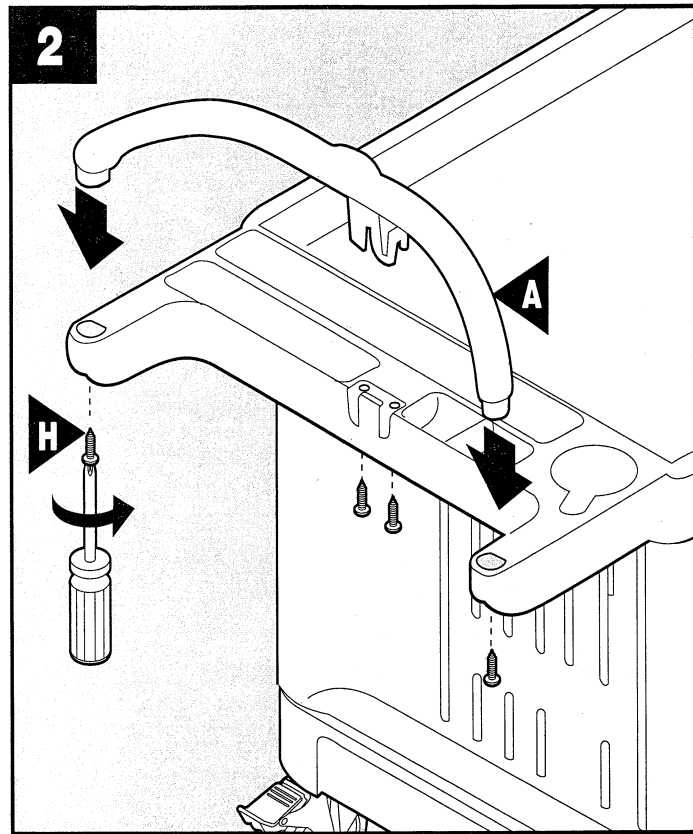


4513

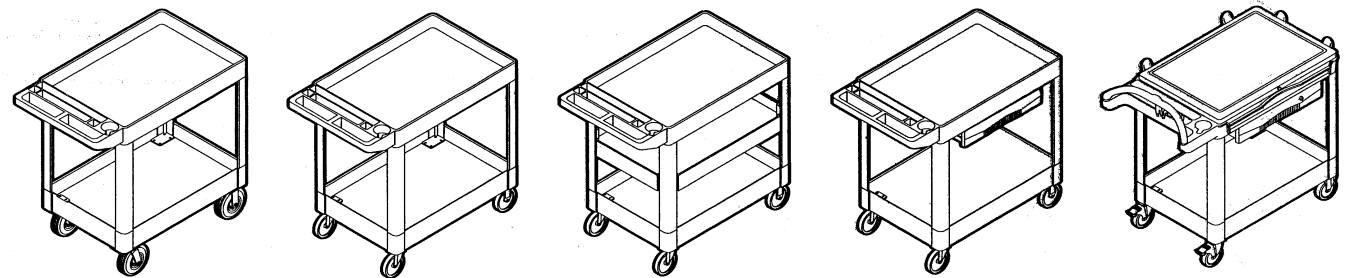


4533 / 4548

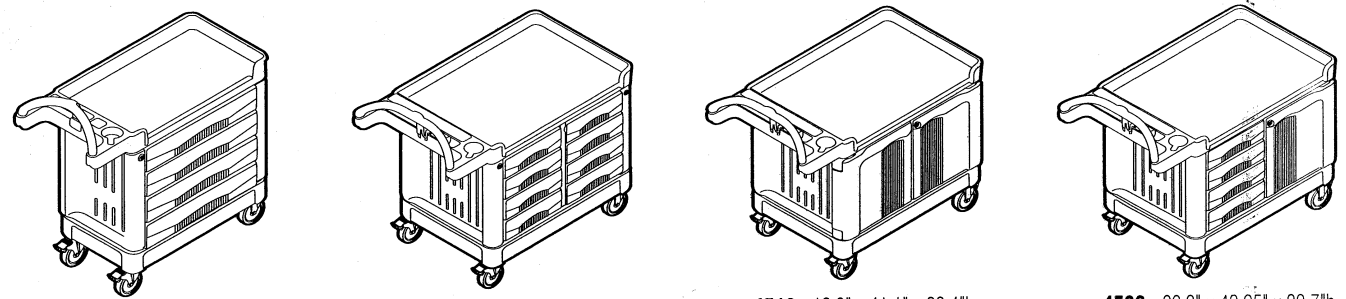




**A CART FOR EVERY TASK / UN CARRITO PARA CADA TAREA / UNE CHARRETTE POUR CHAQUE TÂCHE**



- |  |                                      |                                   |                                   |                                     |
|--|--------------------------------------|-----------------------------------|-----------------------------------|-------------------------------------|
| <b>4520-10</b> —25.8" x 45.1" x 36"h   | <b>4500-88</b> —17.8" x 39.3" x 33"h | <b>4510</b> —17.8" x 39.3" x 33"h | <b>4511</b> —17.8" x 39.3" x 33"h | <b>4535</b> —26.3" x 47.8" x 34.6"h |
| <b>4546-10</b> —25.3" x 54.8" x 36.4"h | <b>4520-88</b> —25.8" x 45.1" x 33"h | <b>4530</b> —25.8" x 45.1" x 33"h | <b>4531</b> —25.8" x 45.1" x 33"h | <b>4547</b> —25.3" x 54.8" x 33.4"h |
|  | <b>4546</b> —25.3" x 54.8" x 33.4"h  |                                   |                                   |                                     |



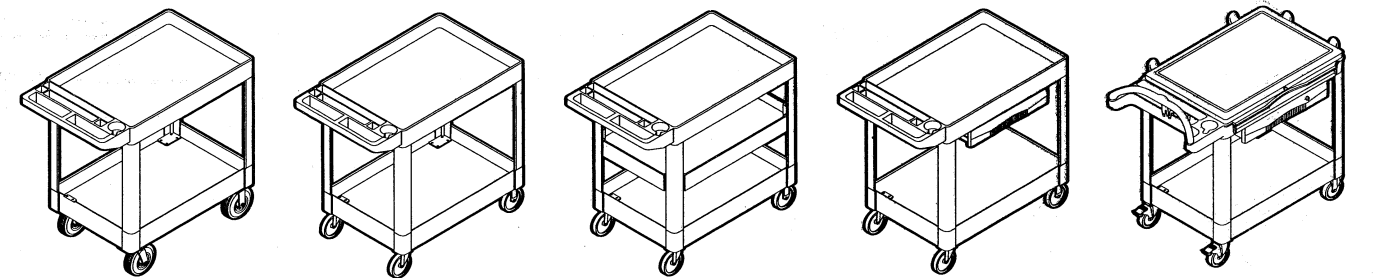
- |                                   |                                     |                                      |                                      |
|-----------------------------------|-------------------------------------|--------------------------------------|--------------------------------------|
| <b>4513</b> —18.4" x 40" x 33.4"h | <b>4534</b> —26.2" x 47.8" x 33.7"h | <b>4512</b> —18.3" x 41.1" x 33.4"h  | <b>4533</b> —26.2" x 48.95" x 33.7"h |
|                                   |                                     | <b>4532</b> —26.2" x 48.95" x 33.7"h | <b>4548</b> —26.1" x 58.5" x 33.7"h  |

Products manufactured under quality management system registered to ISO 9001:2000  
 ©2005 Rubbermaid Commercial Products LLC  
 Printed in U.S.A. 4/05  
 Instructions #72-4512-00

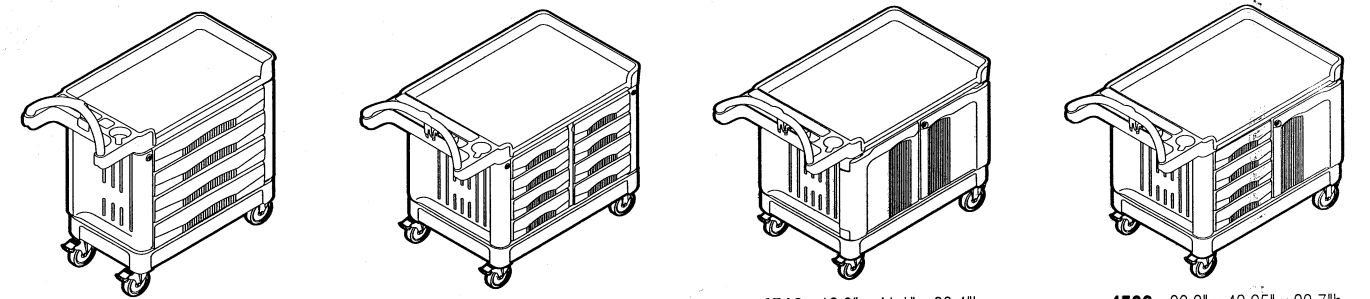


Rubbermaid Commercial Products LLC  
 3124 Valley Avenue  
 Winchester, VA 22601 U.S.A.  
 Phone: 540-667-8700  
 Fax: 540-542-8770  
[www.rubbermaidcommercial.com](http://www.rubbermaidcommercial.com)

**A CART FOR EVERY TASK / UN CARRITO PARA CADA TAREA / UNE CHARRETTE POUR CHAQUE TÂCHE**



- |  |                                      |                                   |                                   |                                     |
|--|--------------------------------------|-----------------------------------|-----------------------------------|-------------------------------------|
| <b>4520-10</b> —25.8" x 45.1" x 36"h   | <b>4500-88</b> —17.8" x 39.3" x 33"h | <b>4510</b> —17.8" x 39.3" x 33"h | <b>4511</b> —17.8" x 39.3" x 33"h | <b>4535</b> —26.3" x 47.8" x 34.6"h |
| <b>4546-10</b> —25.3" x 54.8" x 36.4"h | <b>4520-88</b> —25.8" x 45.1" x 33"h | <b>4530</b> —25.8" x 45.1" x 33"h | <b>4531</b> —25.8" x 45.1" x 33"h | <b>4547</b> —25.3" x 54.8" x 33.4"h |
|  | <b>4546</b> —25.3" x 54.8" x 33.4"h  |                                   |                                   |                                     |



- |                                   |                                     |                                      |                                      |
|-----------------------------------|-------------------------------------|--------------------------------------|--------------------------------------|
| <b>4513</b> —18.4" x 40" x 33.4"h | <b>4534</b> —26.2" x 47.8" x 33.7"h | <b>4512</b> —18.3" x 41.1" x 33.4"h  | <b>4533</b> —26.2" x 48.95" x 33.7"h |
|                                   |                                     | <b>4532</b> —26.2" x 48.95" x 33.7"h | <b>4548</b> —26.1" x 58.5" x 33.7"h  |

Products manufactured under quality management system registered to ISO 9001:2000  
 ©2005 Rubbermaid Commercial Products LLC  
 Printed in U.S.A. 4/05  
 Instructions #72-4512-00



Rubbermaid Commercial Products LLC  
 3124 Valley Avenue  
 Winchester, VA 22601 U.S.A.  
 Phone: 540-667-8700  
 Fax: 540-542-8770  
[www.rubbermaidcommercial.com](http://www.rubbermaidcommercial.com)