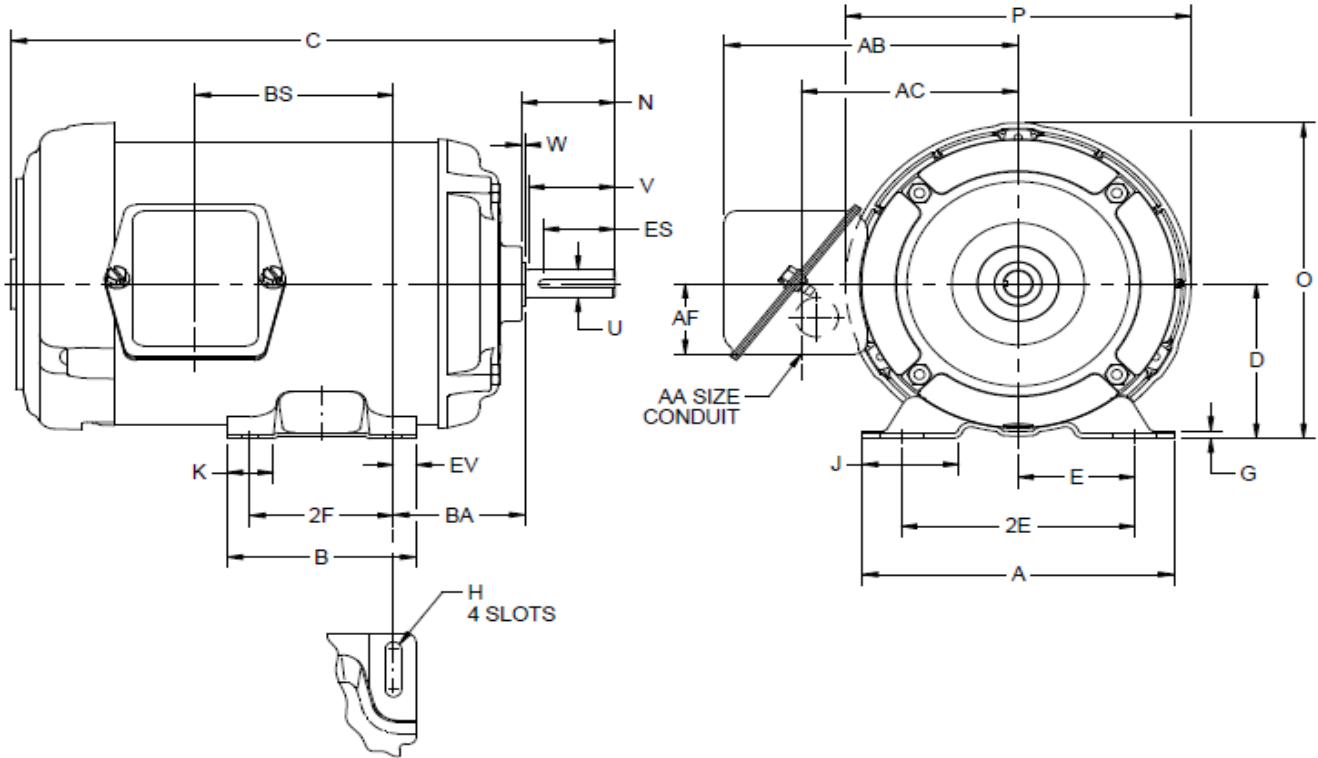


**1EJR3BG**

REV.

-



ALL DIMENSIONS ARE IN INCHES AND MILLIMETERS

UNITS	A	B	C	D	E	2E	2F	G	H	J	K
IN	6.50	4.00	11.67	3.50	2.44	4.88	3.00	.13	.34 X 1.25	1.97	.97
MM	165	102	296	89	62	124	76	3	9 X 32	50	25

UNITS	N	O	P <sup>2</sup>	U	V	W	AA <sup>3</sup>	AB	AC	AF	BA	
IN	2.27	7.16	7.31	-.0005	MIN	1.88	.39	.75	6.13	4.53	1.59	2.75
MM	58	182	186	15.875	48	10	19	156	115	40	70	

UNITS	BS	ES	EV	SQ	KEY
IN	3.19	1.41	.47	.188	
MM	81	36	12	4.78	

1. DIMENSIONS MAY VARY .25" DUE TO CASTING AND/OR FABRICATION VARIATIONS.
2. LARGEST MOTOR WIDTH.
3. BASIC CONDUIT FITTING SIZE. HOLE OPENING ON THE SIDE OF THE CONDUIT BOX (REPRESENTED BY A DASHED CIRCLE) WILL ACCEPT A .50 BASIC CONDUIT FITTING.

4. THE CONDUIT BOX MAY BE LOCATED ON EITHER SIDE OF THE MOTOR. THE CONDUIT OPENING(S) MAY BE LOCATED IN STEPS OF 180 DEGREES REGARDLESS OF LOCATION. STANDARD LOCATION SHOWN WITH CONDUIT OPENING DOWN
5. TOLERANCES ARE SHOWN IN INCHES ONLY.
6. FRAME REFERENCE; 5.50/56

DRAWING NO.	PAGE 1 of 1	REV.
1EJR3BG		-

**1EJR3BG**

REV.

-

**MOTOR PERFORMANCE**

MODEL NO.	CATALOG NO.	PHASE	TYPE	FRAME
1EJR3BG	NA	3	UTE	56-

ORDER NO.	24846	LINE NO.
-----------	-------	----------

MPI:	225611	225612	225617	225613	225614
HP:	0.33	0.33	0.33	0.33	0.33
POLES:	4	4	4	4	4
VOLTS:	460	230	208	380	190
HZ:	60	60	60	50	50
SERVICE FACTOR:	1.25	1.25	1.25	1.15	1.15
EFFICIENCY (%):					
S.F.	80.4	80.4	80.5	80.2	80.2
FULL	78.5	78.5	78.5	79.7	79.7
3/4	75.4	75.4	76.8	77.8	77.8
1/2	68.9	68.9	71	72.6	72.6
1/4	53.8	53.8	57.1	59.4	59.4
POWER FACTOR (%):					
S.F.	68.6	68.6	74.5	72.8	72.8
FULL	61.8	61.8	68.4	68.7	68.7
3/4	52.8	52.8	59.7	59.5	59.5
1/2	41.8	41.8	47.8	47	47
1/4	28.1	28.1	32.5	31.2	31.2
NO LOAD	12.1	12.1	13.1	11.6	11.6
LOCKED ROTOR	67.7	67.7	66.6	72.7	72.7
AMPS:					
S.F.	0.7	1.4	1.4	0.7	1.5
FULL	0.6	1.3	1.3	0.7	1.4
3/4	0.6	1.2	1.1	0.6	1.2
1/2	0.5	1.1	1	0.5	1.1
1/4	0.5	1	0.9	0.5	1
NO LOAD	0.5	1	0.9	0.5	1
LOCKED ROTOR	5.6	11.2	10	5	10
NEMA CODE LETTER	P	P	M	M	M
NEMA DESIGN LETTER	B	B	B	B	B
FULL LOAD RPM	1765	1765	1760	1455	1455
NEMA NOMINAL / EFFICIENCY (%)	78.5	78.5	78.5	79.7	79.7
GUARANTEED EFFICIENCY (%)	75.5	75.5	75.5	75.5	75.5
MAX KVAR	0.3	0.3	0.3	0.3	0.3
AMBIENT (°C)	40	40	40	40	40
ALTITUDE (FASL)	3300	3300	3300	3300	3300
SAFE STALL TIME-HOT (SEC)	30	30	30	30	30
SOUND PRESSURE (DBA @ 1M)	0	0	0	0	0
TORQUES:					
BREAKDOWN(% F.L.)	622	622	498	463	463
LOCKED ROTOR(% F.L.)	467	467	370	368	368
FULL LOAD(LB-FT)	1	1	1	1.2	1.2

NEMA Nominal and Guaranteed Efficiencies are up to 3,300 feet above sea level and 25 ° C ambient

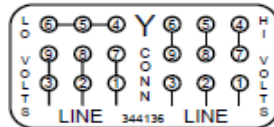
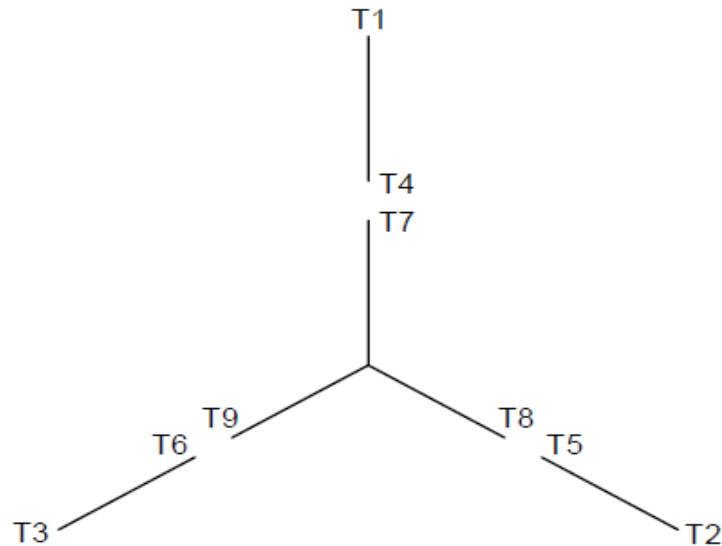
The Above Data Is Typical. Sinewave Power Unless Noted Otherwise

DRAWING NO.	PAGE 1 of 1	REV.
1EJR3BG		-

**1EJR3BG**

REV.  
0

**Motor Wiring Diagram**  
**9 Lead, Dual Voltage (WYE Conn.)**



To reverse direction of rotation, interchange leads L1 & L2.  
 Each lead may have one or more cables comprising that lead.  
 In such case, cable will be marked with the appropriate lead number.

DRAWING NO.	PAGE 1 of 1	REV.
<b>1EJR3BG</b>		0

**Dayton**<sup>®</sup>Part No. **1EJR3BG****FARM DUTY  
MOTOR**

CC 030A

**NEMA  
Premium**<sup>™</sup>SHAFT  
END BRG **6205-2Z-J/C3**OPP  
END BRG **6203-2Z-J/C3**FR **56**TYPE **UTE**ENCL **TEFC**PH **3** MAX  
AMB **40 °C** ID#INSUL  
CLASS **F** DUTY **CONT** WT **30 LB**

BAL

HZ **60** HP **.33** RPM **1765**SF **1.25** DESIGN **B** CODE **P**GUARANTEED  
EFFICIENCY **75.5** MAX  
KVAR **.3**NEMA NOM  
EFFICIENCY **78.5** NOM  
PF **61.8**VOLTS **208-230/460**FL AMPS **1.3-1.3/.6**SF AMPS **1.4/.7**HZ **50** HP **.33** RPM **1455**SF **1.15** DESIGN **B** CODE **M**GUARANTEED  
EFFICIENCY **75.5** MAX  
KVAR **.3**NEMA NOM  
EFFICIENCY **79.7** NOM  
PF **68.7**VOLTS **190/380**FL AMPS **1.4/.7**SF AMPS **1.5/.7**

2062776-007 MADE IN MEXICO OF IMPORTED AND DOMESTIC COMPONENTS

Mfd. for Dayton Electric Mfg. Co.  
Lake Forest, IL 60045 USAENERGY  
**UL**<sup>®</sup>  
C **US**  
E47479**CSA**<sup>®</sup>  
258525