



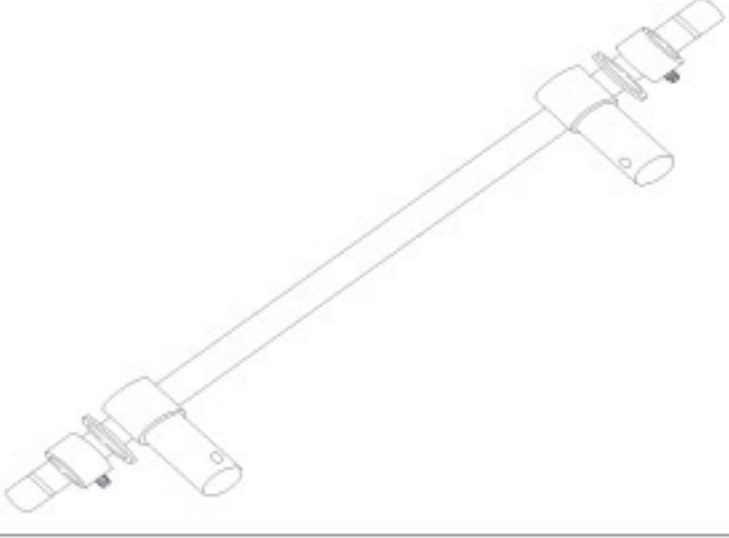



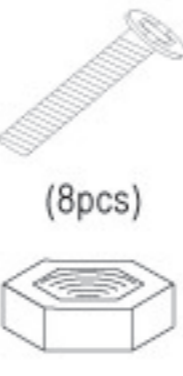



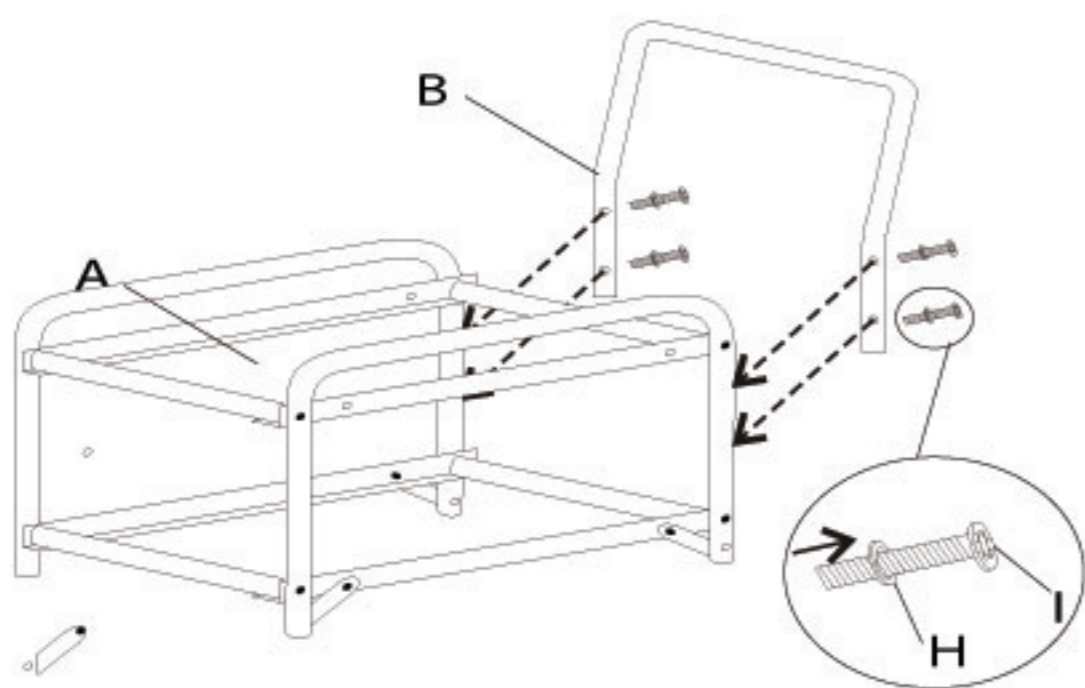
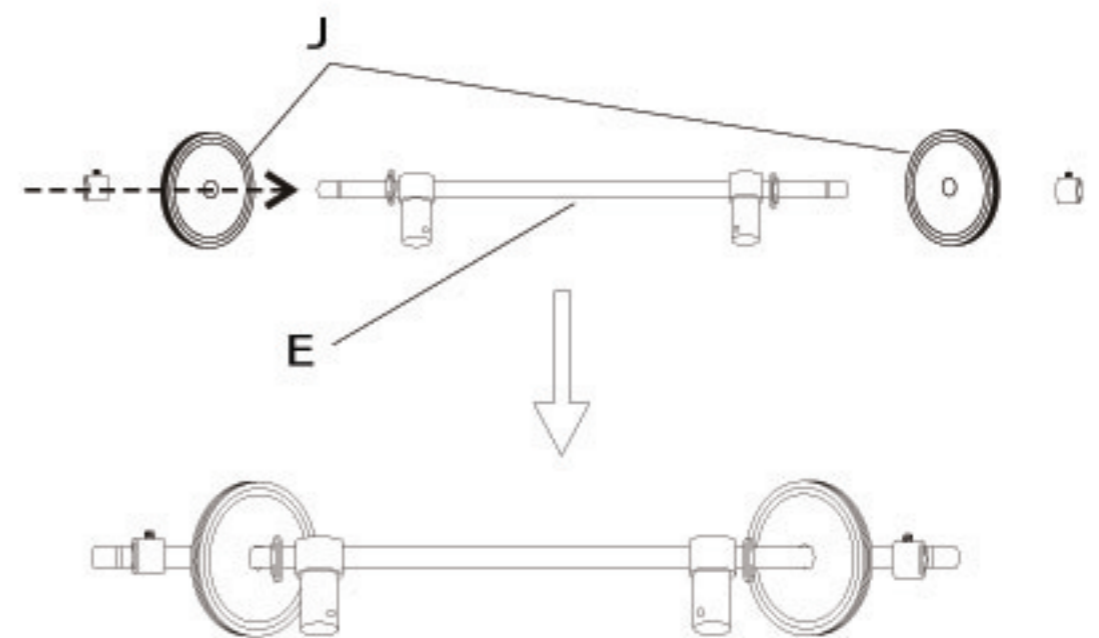


2-TIER MAIL CART ASSEMBLY INSTRUCTION

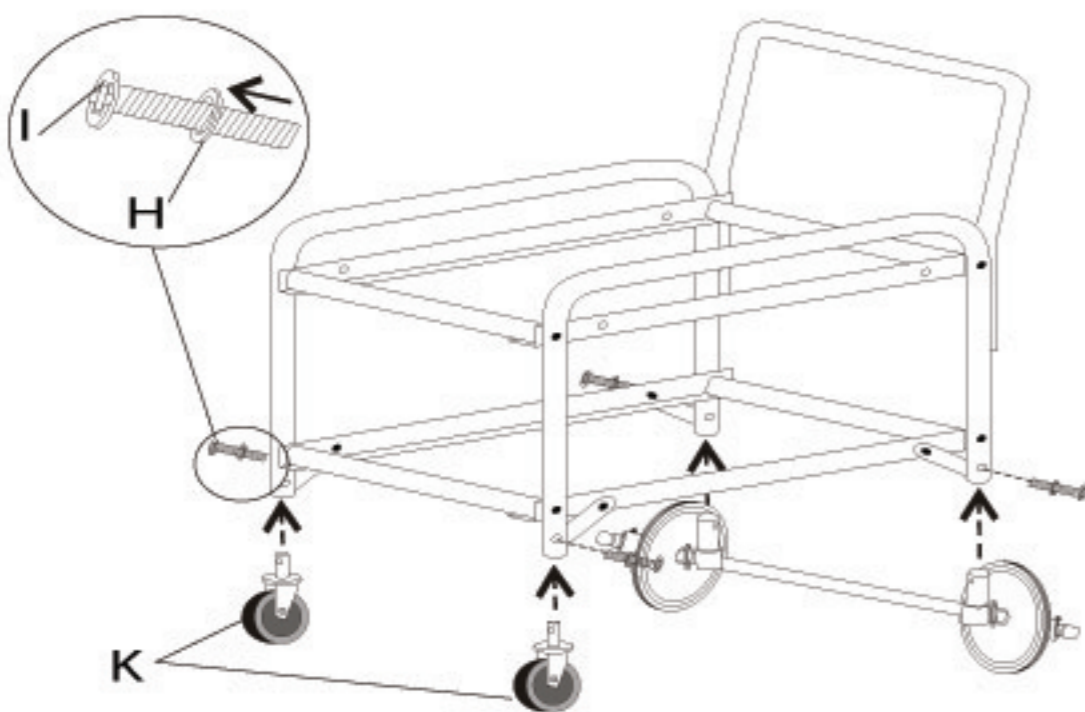
NO.	A	B	C	D	E	
	Frame	Handle	Upper Basket	Lower Basket	Axel	
Parts						
Qty.	1PCS	1PCS	1PCS	1PCS	1PCS	
NO.	F	G	H	I	J	K
	Long Bar	Short Bar	Washer	Screw	Rear Wheel	Front Caster
Parts				 (8pcs)  (8pcs)		
Qty.	2PCS	2PCS	8PCS	8SET	2PCS	2PCS



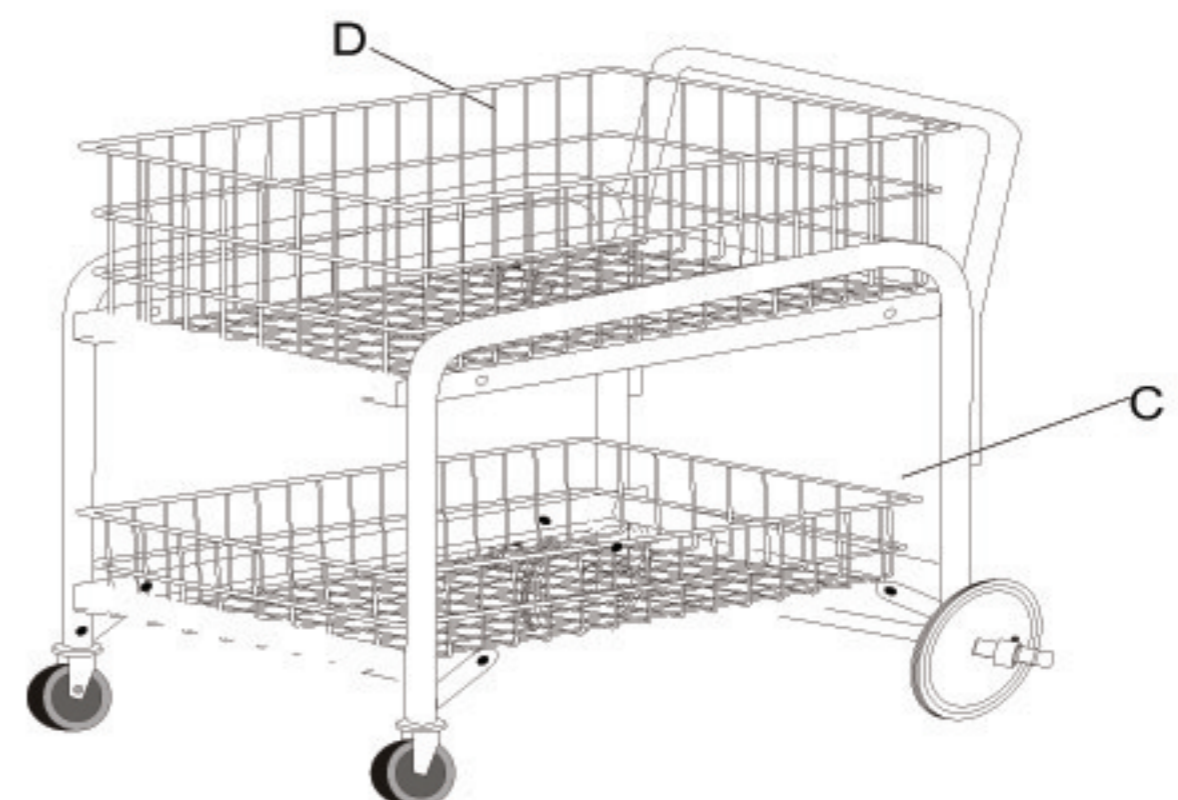
1. Insert Screw(I) into Washer(H), then Fasten Handle (B) into holes of Frame(A) with Screws(I).



2. Take the two collar off Axel(E), then assemble Rear Wheels(J) with Axel (E) as above picture shows, and then tighten the two axel collars.



3. Insert the completed part in step 2 into the bottom of Frame (A) and tighten with Screws (I); Then insert Front Casters (K) into Frame (A) .



4. Snap Upper Basket(C) and Lower Basket(D) onto Frame (A).



5. Locate Long Bars (F) onto two side of Upper Basket (C); Repeat process for Short Bar(G) onto Lower Basket(D).

6. It is now ready for use.

Specification List

SKU#	Product Dimension (INCH)	Maximum Load Capacity (LBS)	Part Numbers										
			A	B	C	D	E	F	G	H	I	J	K
1ECJ7	23 (D) x 30 (W) x 38 (H)	80	1G0210627	1G0210628	1G0210630	1G0210629	1G0210631	1G0210632	1G0210633	--	--	1G0210520	1G0210518
1ECJ8	23 (D) x 41 (W) x 38 (H)	80	1G0210635	1G0210628	1G0210638	1G0210637	1G0210639	1G0210640	1G0210633	--	--	1G0210520	1G0210518

WARNING: Maximum load capacity as shown above is equally distributed .

Manufactured For Grainger International
 Lake Forest, IL 60045
 Made in China