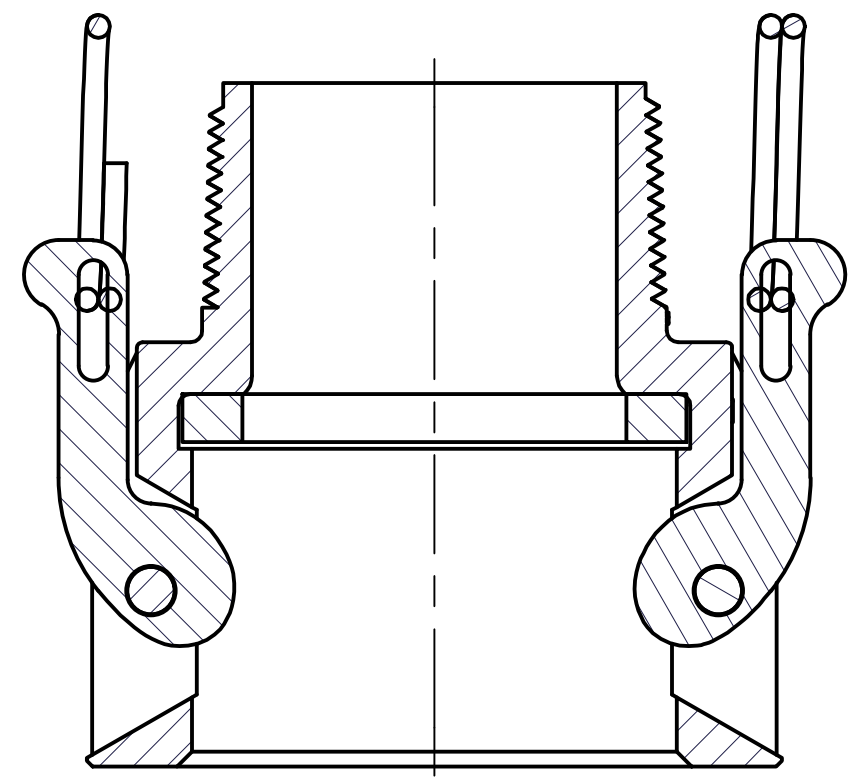
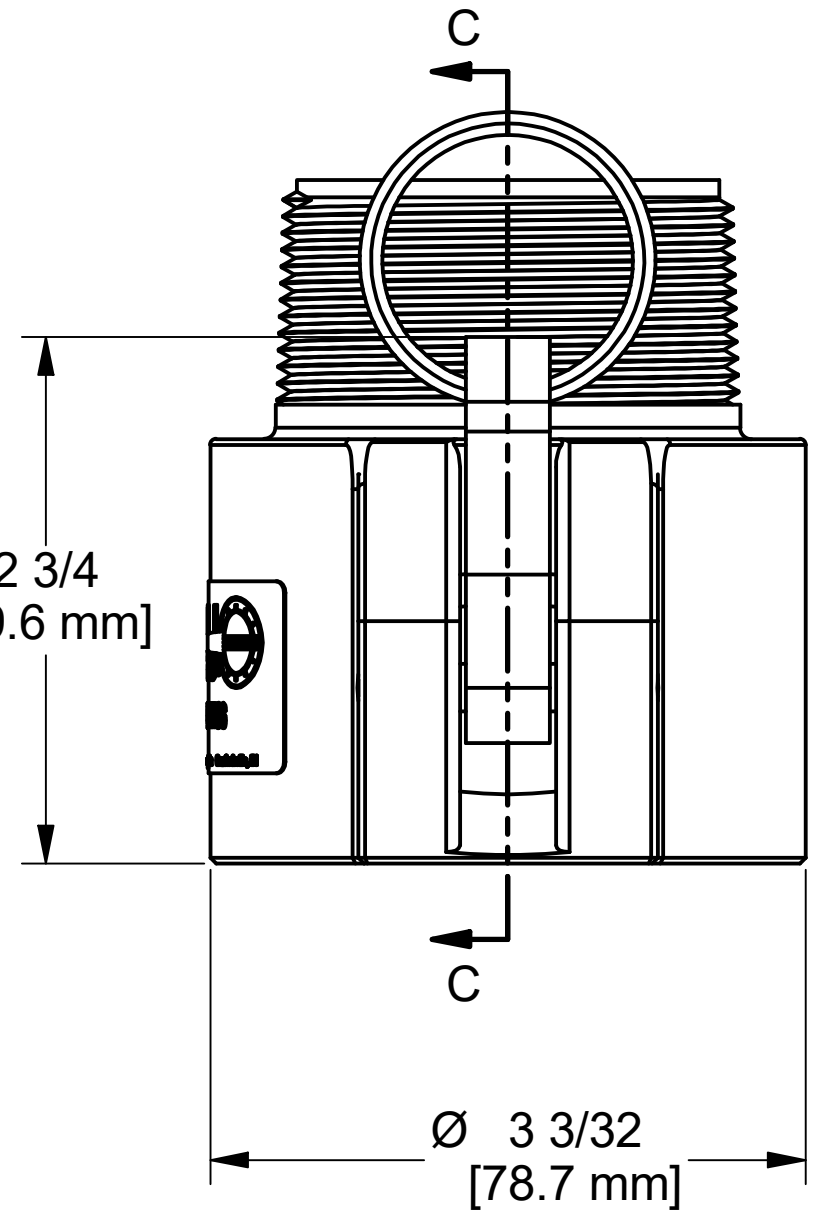
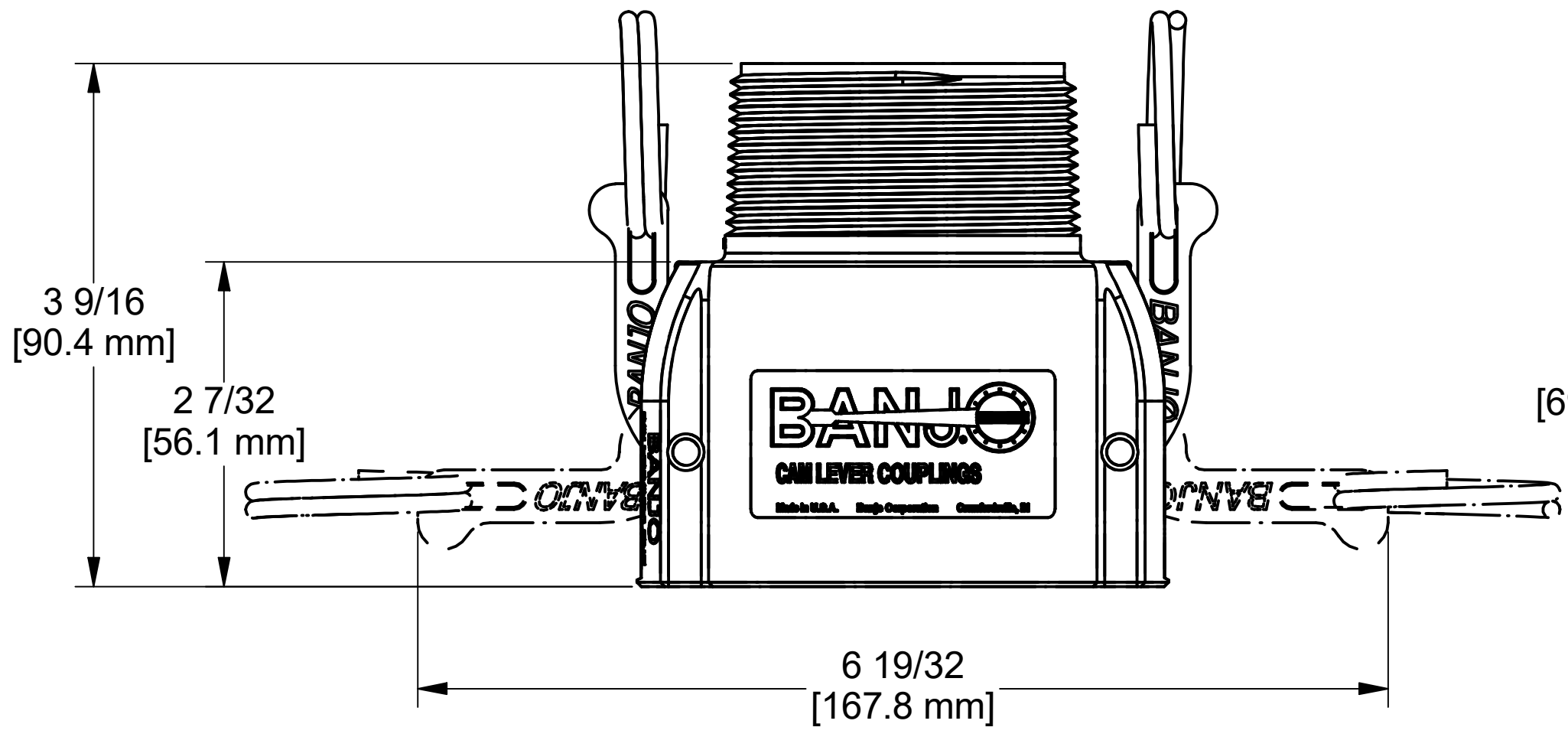
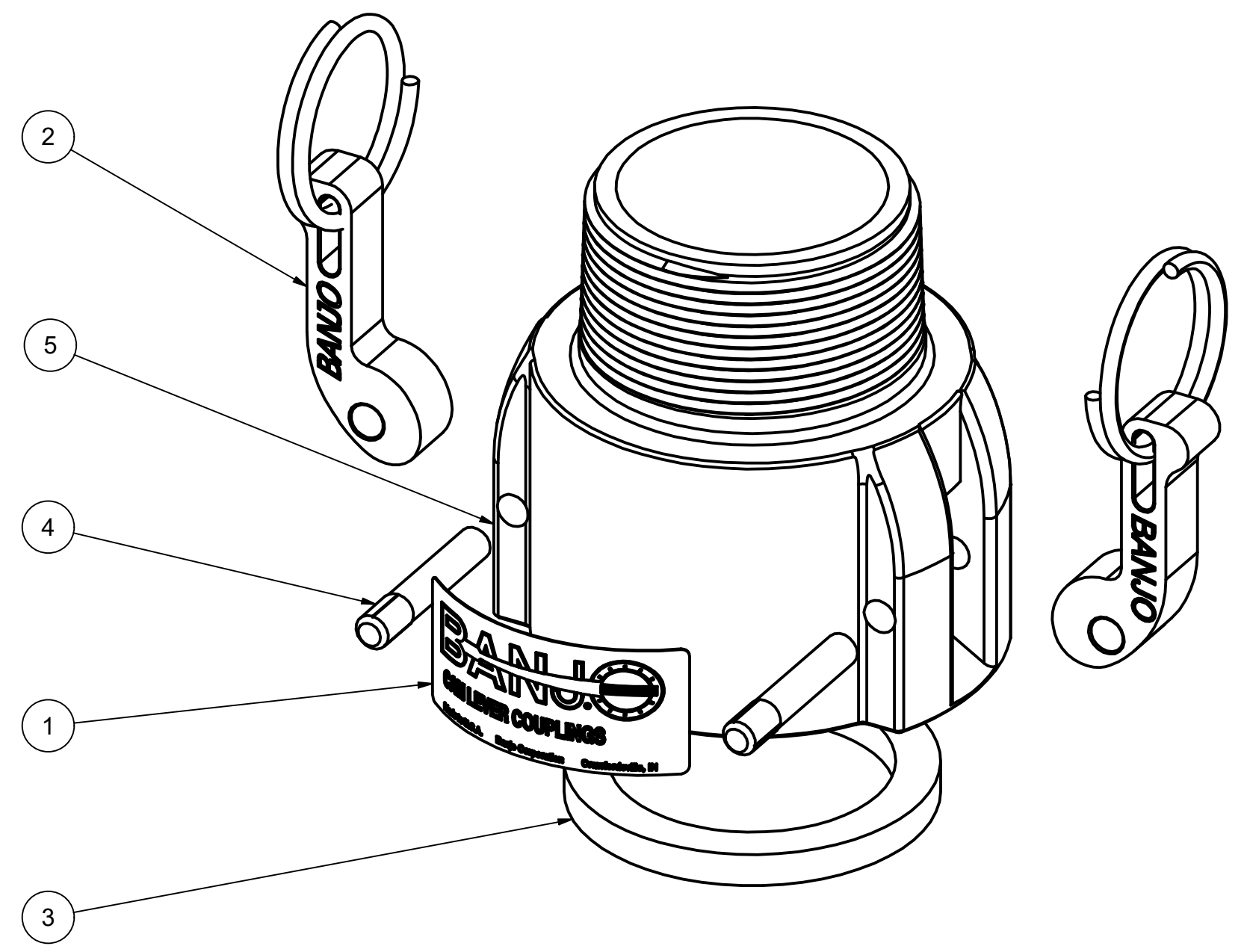


PARTS LIST			
ITEM	QTY	PART NUMBER	DESCRIPTION
1	1	150(200)D	CAM LEVER COUPLING DECAL
2	2	150(200)KS	SHORT CAM ARM W/ RING
3	1	200G	2" Coupling Gasket
4	2	200P	CAM ARM PIN
5	1	200XB	2" Female Coupling X 2" Male NPT

D
C
B
A



SECTION C-C
SCALE 1 : 1



THIS DRAWING AND ALL INFORMATION CONTAINED THEREON ARE THE EXCLUSIVE PROPERTY OF BANJO CORPORATION.

UNLESS SPECIFICALLY NOTED, THIS DRAWING AND ITEMS SHOWN ON THIS DRAWING ARE SUBJECT TO CHANGE AT ANY TIME.

BANJO CORPORATION
150 BANJO DRIVE, CRAWFORDSVILLE, IN 47933
WEB SITE: WWW.BANJOCORP.COM
E-MAIL: BANJOSALES@IDEXCORP.COM

DESCRIPTION
FEMALE COUPLER 2" MALE THREAD

PART NUMBER
200B

4 3 2 1