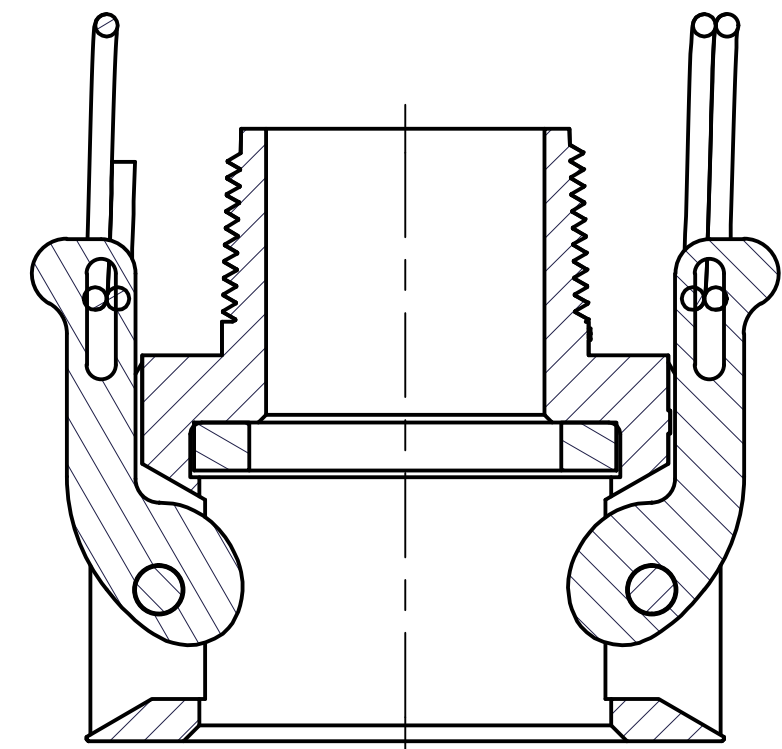
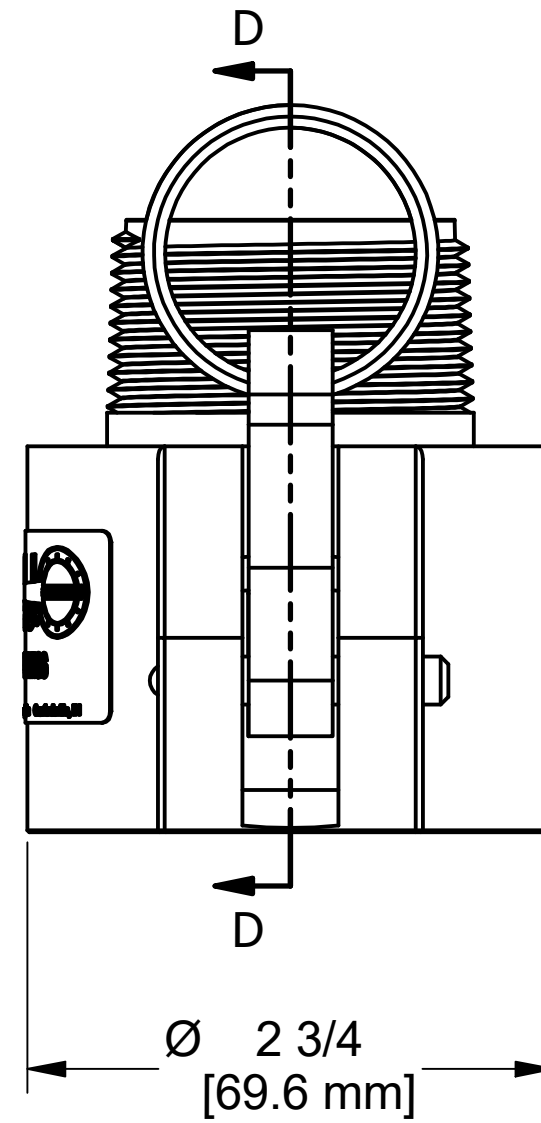
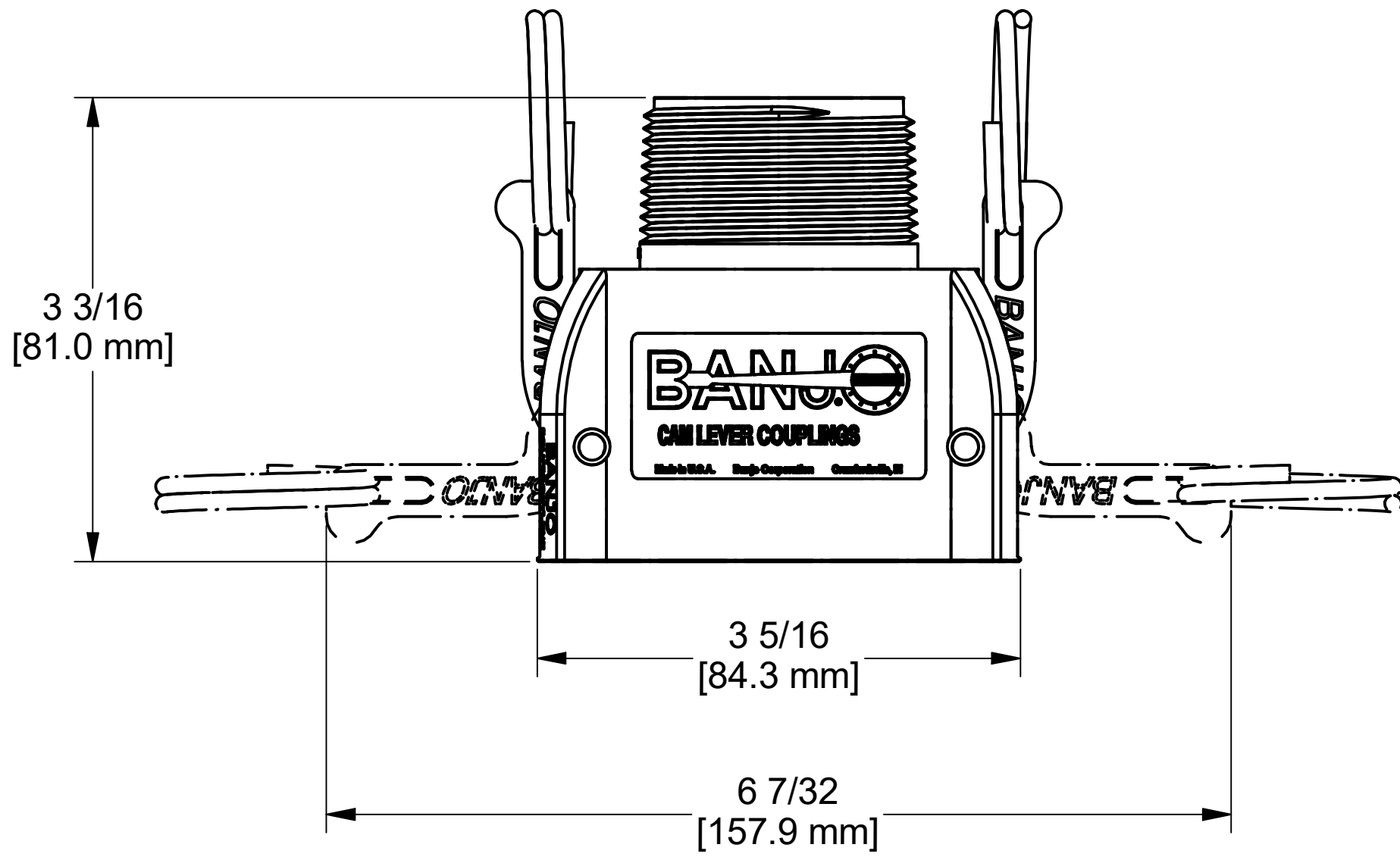
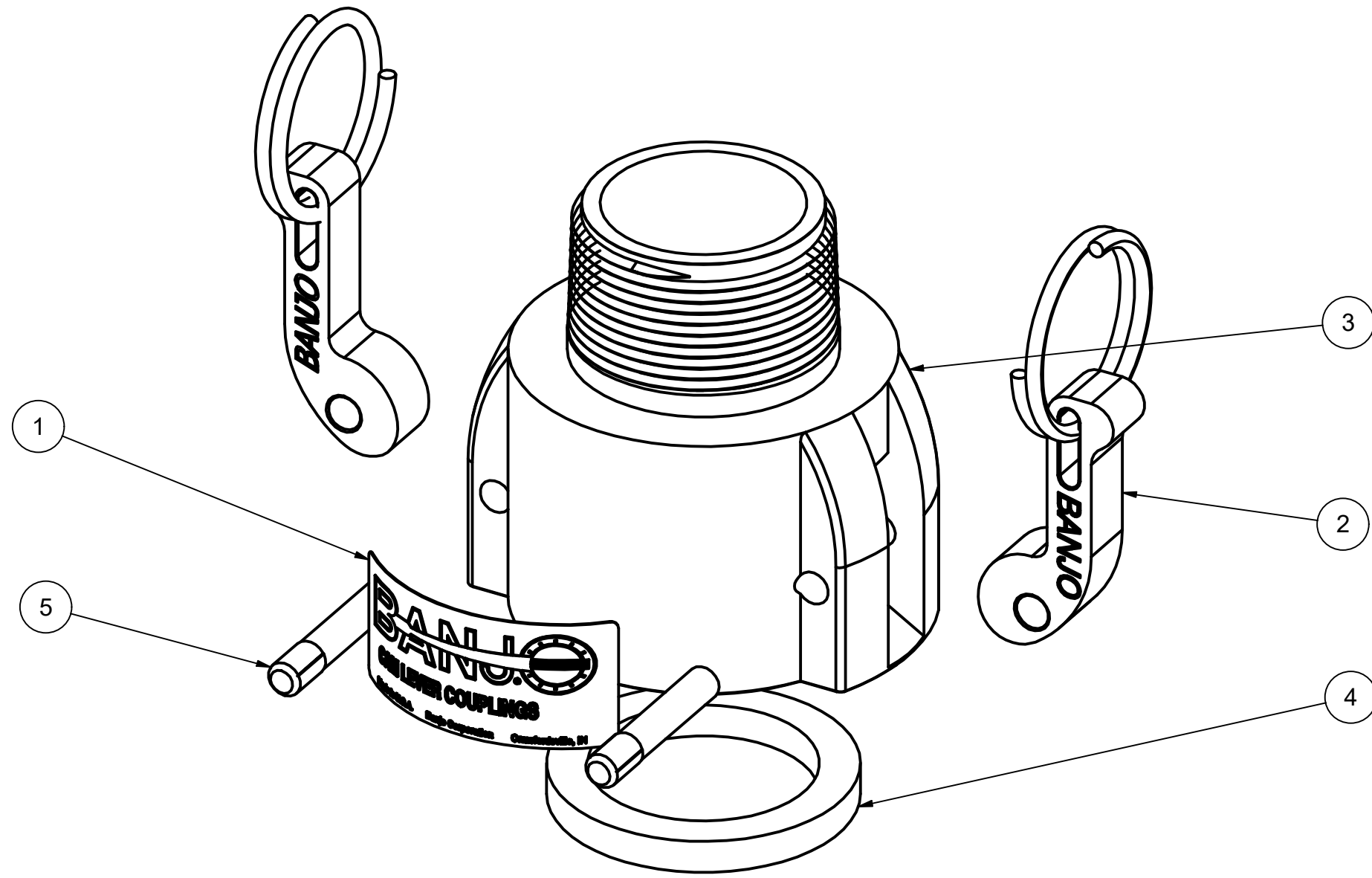


PARTS LIST			
ITEM	QTY	PART NUMBER	DESCRIPTION
1	1	150(200)D	CAM LEVER COUPLING DECAL
2	2	150(200)KS	SHORT CAM ARM W/ RING
3	1	150BX	1 1/2" Male Coupling X 1 1/2 Male NPT
4	1	150G	1 1/2" Coupling Gasket
5	2	200P	CAM ARM PIN



SECTION D-D  
SCALE 1 : 1



THIS DRAWING AND ALL INFORMATION CONTAINED THEREON ARE THE EXCLUSIVE PROPERTY OF BANJO CORPORATION.

UNLESS SPECIFICALLY NOTED, THIS DRAWING AND ITEMS SHOWN ON THIS DRAWING ARE SUBJECT TO CHANGE AT ANY TIME.

BANJO CORPORATION  
150 BANJO DRIVE, CRAWFORDSVILLE, IN 47933  
WEB SITE: WWW.BANJOCORP.COM  
E-MAIL: BANJOSALES@IDEXCORP.COM

DESCRIPTION	FEMALE CPLG 1-1/2" MALE THREAD
PART NUMBER	150B