

SPECIFICATIONS

Small Dimension Fuse Panel

Accepts: 1/4" x 1-1/4" fuses. We recommend Buss® Series MDL/Time Delay; AGC/Non-Time Delay or GBB for Fast Acting fuse applications.

Poles: Standard panels with 1 to 12 poles.

Ratings: 300V.

Screw terminals: UL 30A, CSA 10A

Solder terminals: UL 25A, CSA 21A

.187" QC terminals: UL 15A, CSA 13A

.250" QC terminals: UL 20A, CSA 16A

Terminals: Solder, screw, .187" QC or .250" QC terminals, all tin plated.

Operating Temperature: -40°F (-40°C) to 175°F (80°C).

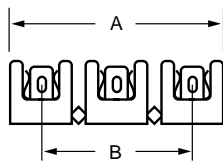
Material: UL rated 94VO thermoplastic.

Benefits: Patented design does not rely on fuse for solid, wobble-free mount. Subdivide multipole panels with simple finger pressure. Anti-pivot screw terminals prevent leads from twisting to the side when tightening. Insulating base seals periphery to reduce shorts to chassis from fuse clips.

Approvals: UL E14853A, Guide IZLT2 and CSA LR47235.

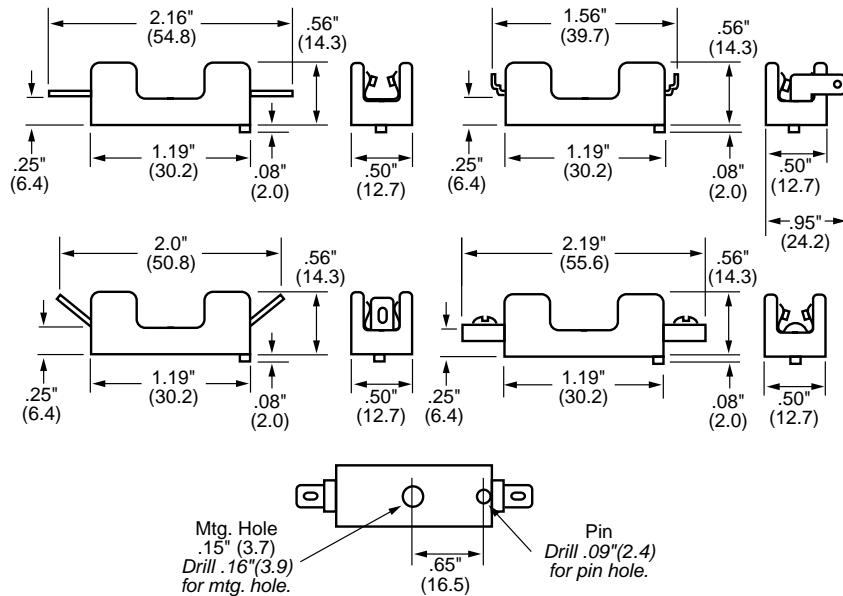
Dimensions

Multiple pole



Poles	A	B
1	.50 (12.7)	-
2	1.12 (28.6)	.62 (15.9)
3	1.75 (44.4)	1.25 (31.8)
4	2.37 (60.3)	1.87 (47.6)
5	3.00 (76.2)	2.50 (63.5)
6	3.62 (92.1)	3.12 (79.4)
7	4.25 (108.0)	3.75 (95.2)
8	4.87 (123.8)	4.37 (111.1)
9	5.50 (139.7)	5.00 (127.0)
10	6.12 (155.6)	5.62 (142.9)
11	6.75 (171.4)	6.25 (158.8)
12	7.37 (187.3)	6.87 (174.6)

Single pole



PART NUMBERING SYSTEM

Prefix

qq / BK - Bulk Pack*

Series

Q Q

Terminal

q
0 - Solder
1 - .187" QC
2 - .250" QC
3 - Screw

Terminal Angle

qq -
01 - Straight (0°)
02 - 40°
03 - Side**

Poles

qq
01 to 12

Options

q
X - Minus anti-rotation pin under base**

* Standard carton is 10 with total shelf package 100. Bulk Pack is 1,000 for single and 2 pole blocks; 200 for 3 to 8 pole blocks; 50 for 9 to 12 pole blocks.

** Available in single pole only.