



Security Wiring Device Wall Plates and Covers
Ideal for continuous, intensive use in extreme environments!

By
CORTECH[®]

The Cortech Tiger Series Security Wall Plates represent the finest in high abuse wiring device cover plates. All plates are designed and manufactured to eliminate costly replacement of essential electrical devices. The TP series is designed and built to hold up in the most extreme institutional and industrial environments. Injection molded in high strength Polycarbonate/Nylon Blend, the TP series will not rust or break. Our molding system eliminates the need for painting. All plates are oversized to accommodate mounting directly into any wall type. The oversized design allows for j-box opening and mounting surface imperfections.



10 YEAR WARRANTY

FEATURES:

- High Impact Resistance/Virtually Unbreakable
- Architectural, Smudge Resistant White
- 100% Rust Proof
- Manufactured to ISO Quality Standard
- Protective Side Impact Lip
- Tamperproof Fastening System
- Smooth Radius Corners
- Fast, Easy Installation

*Wiring devices not included

SPECIFICATIONS:

Cover plate: Tamperproof one-piece injection molded high strength Polycarbonate/Nylon Blend with Radiused Corners and Textured Finish. 3/16" plate wall thickness. *Wiring devices not included

Oversized plate dimensions: Single gang 3 1/2" x 5 1/2" / Double gang 5 1/2" x 5 1/2"

Four zinc plated tamperproof screws included (torx head with center pin reject). *Devices held to plate (2) 8/32 x 1/2" for single or (4) for double (Torx head with center pin reject). See mounting instructions and order guide.

Dimensions and weights are nominal. Specifications subject to change without notice.
Tiger Plates come standard in white. Custom colors available.
Warranty valid on manufacturing defects only.

For Sales Information, Samples
and Bid Specifications, Contact:

CORTECH[®]

We Accept



and all government cards

Cortech's Fed ID#: 36-3932100

7530 Plaza Court • Willowbrook, IL 60527
Toll Free: (800) 571-0770 • Tel: (630) 455-0811 • Fax: (630) 455-0813
www.cortechusa.com



Security Wiring Device Wall Plates and Covers
 Ideal for continuous, intensive use in extreme environments!

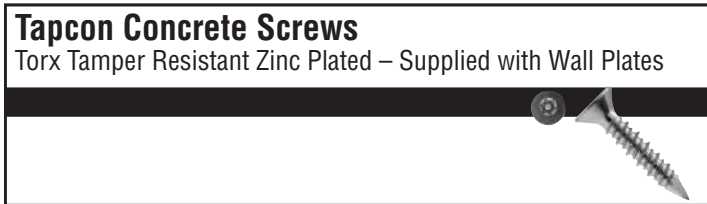
By
CORTECH®

Mounting Instructions

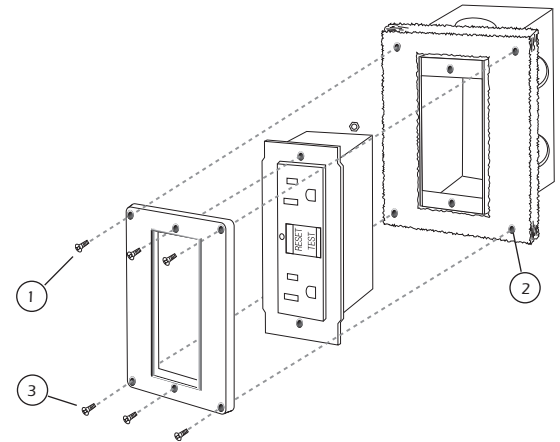
* Wiring devices not included

For All Wall Types

- 1 Attach device to plate with tamperproof screws & Nyloc nuts (provided)
- 2 Drill holes in mounting surface or cast-in threaded inserts
- 3 Install cover plate with security screws to a wall surface



Other Tamper Proof screws are available upon request.



Item	Description
TPSS	Single Switch
TPDR	Duplex Receptacle
TPBB	Blank
TPGF	Ground Fault Interrupter Receptacle
TPDBB	Double Blank
TPDD	Double Duplex Receptacle
TPDGF	Double Ground Fault Interrupter Receptacles
TPDS	Duplex Switch

Dimensions and weights are nominal. Specifications subject to change without notice.
 Tiger Plates come standard in white. Custom colors available.
 Warranty valid on manufacturing defects only.

For Sales Information, Samples
 and Bid Specifications, Contact:
CORTECH®



Cortech's Fed ID#: 36-3932100

7530 Plaza Court • Willowbrook, IL 60527
 Toll Free: (800) 571-0770 • Tel: (630) 455-0811 • Fax: (630) 455-0813
www.cortechusa.com