



LAV SHIELD®

Job Name: _____
 Job Location: _____

Engineer: _____
 Approval: _____

General Description:

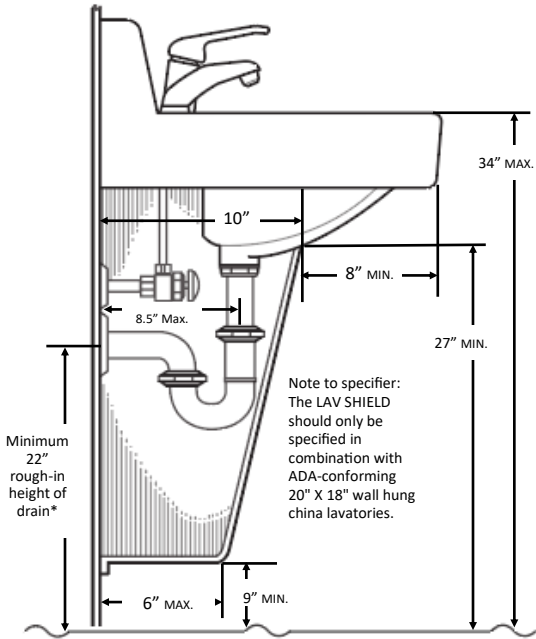
LAV SHIELD® rigid enclosure is dimensionally engineered to comply with ADA requirements, design aesthetics and mechanical cooperation. LAV SHIELD conceals electronic faucet components, mixing valves, trap primers And instantaneous water heaters*, eliminating vandalism while allowing wheelchair accessibility under lavatories. Available in the standard model for field fit applications or may be ordered as a factory pre-cut which closely follows the underside contours of the lavatory specified.

*Lavatory “rough in” should be considered to allow mounting room for water heater behind enclosure. Contact IPS Corporation for specifications.

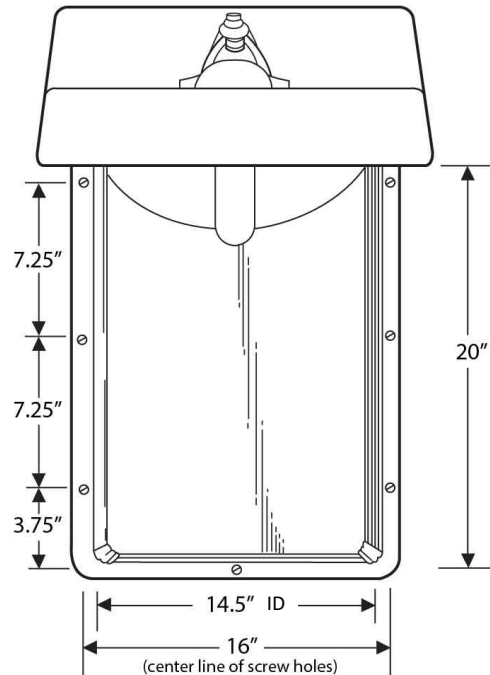
Material	Rigid high-impact, stain-resistant, PVC
Nominal Wall	.093"
Finish	Fine haircell
UV Protection	Will not fade or discolor
Durability	Virtually indestructible
Fasteners	7 stainless steel screws and wall anchors provided
Color	China white
Compatibility	Fits all ADA-conforming 20" x 18" wall-hung china lavatories
Paintability	Apply acrylic enamel or Latex
UL Listing	In accordance with ADA Standards
Flammability	UL-94 V-0, 5VA ASTM D-635-91 4 (ATB) 2.1 (AEB)
Bacterial/Fungal Resistance	ASTM G21 and G22/Result 0



U.S. and Canadian patents: D373,412 D372,077 D384, 732 D393,700 D390643 79,064 79,063



*Less than 22" rough-in height, certain job conditions or certain lavatories may require an offset tailpiece or offset grid strainer.



See second page for available models.





SPECIFICATION

LAV SHIELD®

Note: All Lav Shields come with standard fasteners.

All items listed are available in bulk packs, QTY 4. Contact Customer Service for item #.

Job QTY	Item #	Description	Model	Case Qty
	82202	Standard Lav Shield	20181	1
Pre-Cut Lav Shields (Pre-cuts are not returnable)				
	82203	American Standard Comrade	2018ASC1	1
	82204	American Standard Declyn	2018ASD1	1
	82205	American Standard Lucerne	2018ASL1	1
	82206	American Standard Muro	2018ASM1	1
	82207	American Standard Lucerne (old)	2018ASOL	1
	97957	American Standard Penlyn	2018ASP1	1
	82208	American Standard Roxalyn	2018ASR1	1
	82209	Bradley Imperial	2018BDI1	1
	97916	Briggs Milton	2018BM1	1
	82210	Briggs Whitman	2018BRW1	1
	82211	Crane Harwich	2018CRH1	1
	82212	Crane Norwich	2018CRN1	1
	82213	Crane Westmont	2018CRW1	1
	82214	Crane Yorkshire	2018CRY1	1
	82215	Eljer Blair	2018ELB1	1
	82216	Eljer Delwyn	2018ELD1	1
	82217	Eljer Mayburne	2018ELM1	1
	82218	Eljer Signature	2018ELS1	1
	82219	Eljer Blucknell	2018ELU1	1
	82220	Gerber Hayes	2018GRH1	1
	82323	Gerber Monticello	2018GRM1	1
	82221	Gerber Plymouth	2018GRP1	1
	97962	Kohler Brenham	2018KOB1	1
	82222	Kohler Chesapeake	2018KOC1	1
	82223	Kohler Greenwich, Model 202	2018KOG1	1
	97922	Kohler Greenwich, Model 203	2018KONG1	1
	82224	Kohler Hudson	2018KOH1	1
	82225	Kohler Kingston	2018KOK1	1
	97911	Kohler Pinoir	2018KOP1	1
	82226	Kohler Soho	2018KOS1	1
	82228	Mansfield Grand Isle	2018MAN1	1
	82401	Sloan SS-3003	2018SLSS3003	1
	82229	Toto LT307	2018TOL1	1
	82231	Zurn #Z5344	2018ZNZ1	1
	97937	New Zurn #Z5344	2018ZNNZ1	1
Standard Lav Shield with Custom Finish				
	82721	ARCHITECTURAL BRUSHED ALUMINUM	WTP-907	1
	82722	STAINLESS STEEL	WTP-270	1
	82723	STAINLESS STEEL OVER BLACK	WTP-270B	1
	82726	ROSEWOOD	WTP-488	1
	82727	BURLWOOD	WTP-496	1
	82728	MONACO WALNUT	WTP-538	1
	82731	BLACK MARBLE	WTP-512	1
	82732	GRAY MARBLE	WTP-659G	1
	82733	ARCHITECTURAL WHITE MARBLE	WTP-659W	1
	82736	ITALIAN LEATHER ESPRESSO	WTP-715	1
	82741	SPORT CARBON	WTP-940	1
Lav Shield Accessories				
	82187	Lav Shield Standard Fasteners (7)	20184F	1
	82292	Tamper Resistant Fasteners, (7)	TRFAST	1

