

# LAV SHIELD®

## Overview

Lav Shield® represents the “next generation” of ADA compliant undersink protection by meeting mandated knee and toe clearance requirements for wheelchair users. Durable, single-piece construction prevents pipe and component tampering, and conceals all lavatory piping, electronic faucet connections, mixing valves, trap primers, and instantaneous water heaters\*— a truly attractive alternative to individual component covers that will satisfy even the most discriminating designer.

### TOTAL ENCLOSURE DESIGN

Heavy-duty, vandal-resistant enclosure shields all piping, electronic faucet components, mixing valves, trap primers, and instantaneous water heaters\*. Vandal-resistant fasteners are available upon request.

### SANITARY ADVANTAGES

Lav Shield contains an antimicrobial additive to resist fungal and bacterial growth making the Lav Shield an excellent cover to use in medical and health care facilities. Installing Lav Shield in these facilities eliminates the need to sanitize P-Traps, angle stops, supply lines and electrical components.

### ADA-CONFORMING ATTRACTIVE PROFILE

The Lav Shield tastefully conceals all unsightly plumbing and components while satisfying ADA dimensional requirements.

### STRICT CODE COMPLIANCE MINIMIZES RISK

The Lav Shield complies with ASME A112.18.9-2001, ADA article 4.19.4 (606.5), California P 1504B, ANSI A117.1, BOCA P 1203.4, and other state and local regulations.

### EASY-TO-SERVICE SINGLE-PIECE CONFIGURATION

The Lav Shield may be quickly removed for convenient, unhindered access to all plumbing and mechanical components. Reinstallation takes just minutes.

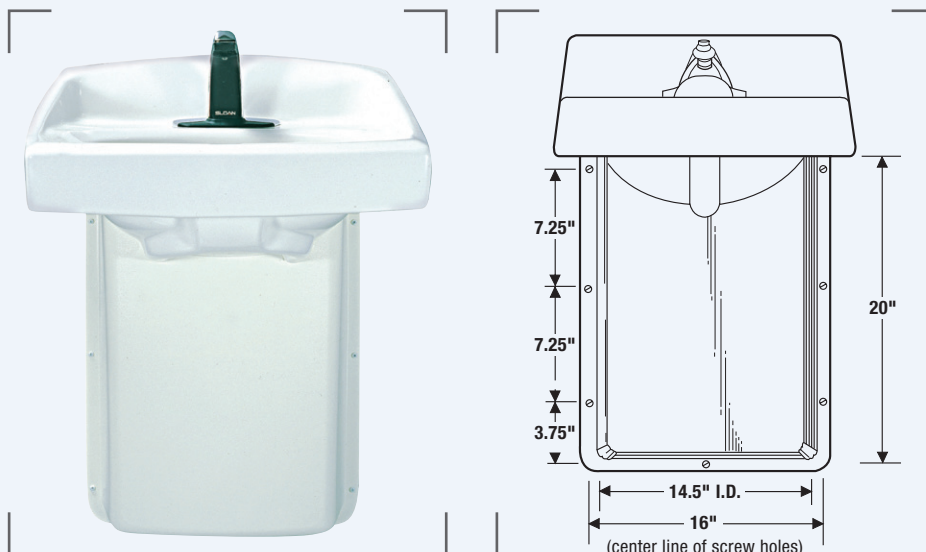
### WIDE VARIETY OF CUSTOM OPTIONS

Available in our standard field fit model which allows contractor to custom fit Lav Shield to underside of lavatory. For an even faster and more tailored fit, Lav Shield can be purchased factory pre-cut to the underside geometry of the actual lavatory being installed. Pre-cut models are listed on following page.

### RIGID HIGH-IMPACT, STAIN-RESISTANT PVC

The Lav Shield is molded from impact-resistant, stain-resistant and chemical-resistant rigid vinyl for durability, safety and long life.

NOW AVAILABLE IN  
CUSTOM FINISHES



MADE IN THE USA



ADA COMPLIANT

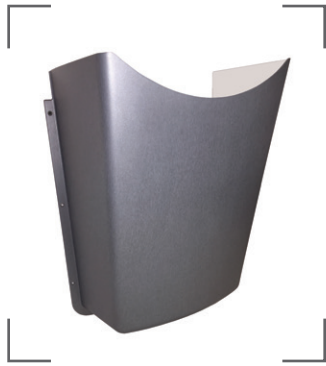
ATTRACTIVE DESIGNER-STYLE,  
TAMPER-RESISTANT, THE ULTIMATE  
ADA-ENGINEERED PROTECTIVE  
LAVATORY ENCLOSURE

\*Lavatory "rough in" should be considered to allow mounting room for instantaneous water heater behind enclosure. Contact TRUEBRO for specifications.

# LAVATORY PROTECTIVE ENCLOSURES

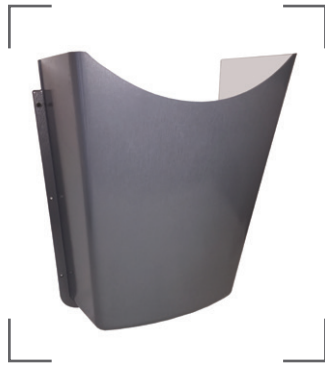
## Custom Finish Lav Shields

The already attractive ADA compliant Lav Shield is now available in 10+ custom finishes to meet any designer needs. Custom finish Lav Shields are only available in the standard, fit to field, Lav Shield.



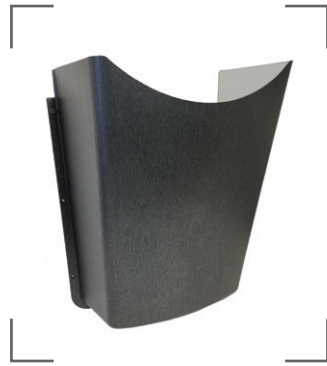
### ARCHITECTURAL BRUSHED ALUMINUM

Product: 82721  
Model: WTP-907



### STAINLESS STEEL

Product: 82722  
Model: WTP-270



### STAINLESS STEEL OVER BLACK

Product: 82723  
Model: WTP-270B



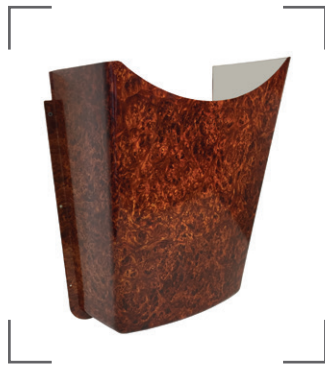
### ITALIAN LEATHER ESPRESSO

Product: 82736  
Model: WTP-715



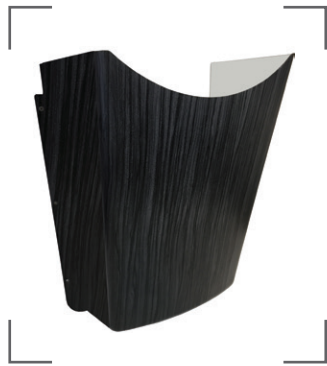
### ROSEWOOD

Product: 82726  
Model: WTP-488



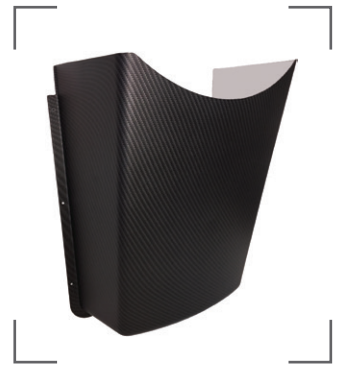
### BURLWOOD

Product: 82727  
Model: WTP-496



### MONACO WALNUT

Product: 82728  
Model: WTP-538



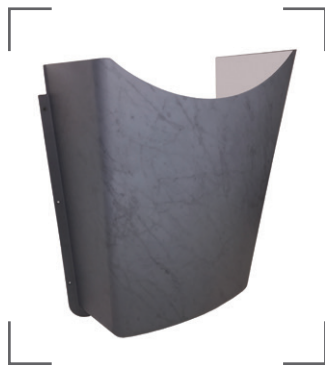
### SPORT CARBON

Product: 82741  
Model: WTP-940



### BLACK MARBLE

Product: 82731  
Model: WTP-512



### GRAY MARBLE

Product: 82732  
Model: WTP-659G



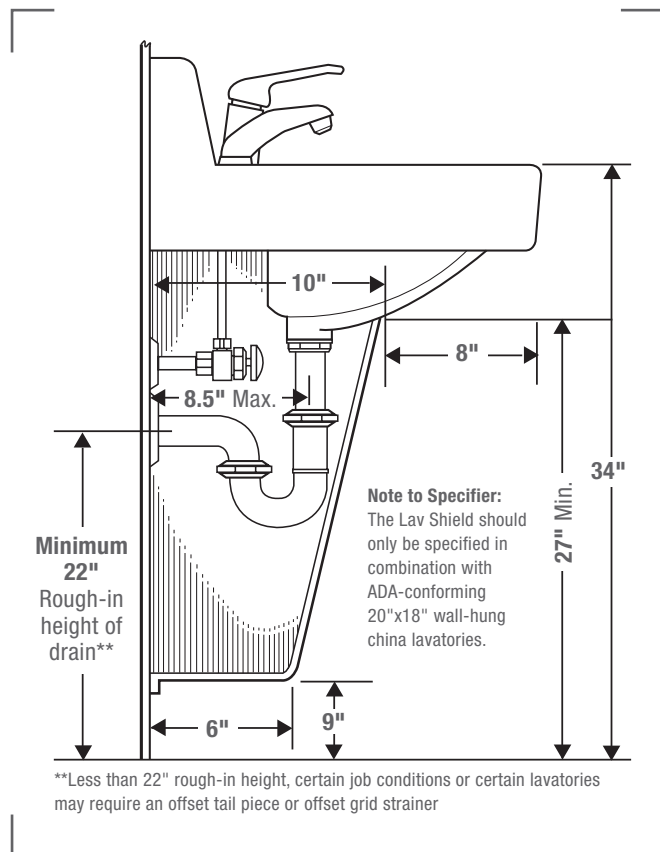
### ARCHITECTURAL WHITE MARBLE

Product: 82733  
Model: WTP-659W

# LAV SHIELD® LAVATORY PROTECTIVE ENCLOSURES

## SPECIFICATIONS

<b>Material</b>	Rigid high-impact, stain-resistant PVC
<b>Nominal Wall</b>	.093"
<b>Finish</b>	Fine haircell
<b>UV Protection</b>	Will not fade or discolor
<b>Durability</b>	Virtually indestructible — tamper resistant screws available
<b>Fasteners</b>	7 stainless steel screws and wall anchors provided
<b>Color</b>	China white
<b>Compatibility</b>	Fits all ADA-conforming 20"x18" wall-hung lavatories
<b>Paintability</b>	Acrylic enamel or latex
<b>UL Listing</b>	In accordance with ADA Article 4.19.4 (606.5)
<b>Flammability</b>	UL-94 V-0, 5VA ASTM D-635-91 4 (ATB) 2.1 (AEB)
<b>Bacterial/Fungal</b>	ASTM G21 and G22 — Result 0



**Note:** Model numbers listed on this page are for single pack Lav Shields. For bulk pack items, change the 1 in the model to a 4.

## STANDARD MODELS

**Model #20181** Standard (For field fit)

## CUSTOM FACTORY PRE-CUT MODELS

*Pre-cut models are not returnable*

**Model: 2018-AS-C1** American Standard Comrade

**Model: 2018-AS-D1** American Standard Declyn

**Model: 2018-AS-L1** American Standard Lucerne

**Model: 2018-AS-M1** American Standard Muro

**Model: 2018-AS-OL1** American Standard Lucerne (old)

**Model: 2018-AS-P1** American Standard Penlyn

**Model: 2018-AS-R1** American Standard Roxalyn

**Model: 2018-BD-I1** Bradley Imperial

**Model: 2018-BR-M1** Briggs Milton

**Model: 2018-BR-W1** Briggs Whitman

**Model: 2018-CR-H1** Crane Harwich

**Model: 2018-CR-N1** Crane Norwich

**Model: 2018-CR-W1** Crane Westmont

**Model: 2018-CR-Y1** Crane Yorkshire

**Model: 2018-EL-B1** Eljer Blair

**Model: 2018-EL-D1** Eljer Delwyn

**Model: 2018-EL-M1** Eljer Mayburne

**Model: 2018-EL-S1** Eljer Signature

**Model: 2018-EL-U1** Eljer Bucknell

**Model: 2018-GR-H1** Gerber Hayes

**Model: 018-GR-M1** Gerber Monticello

**Model: 2018-GR-P1** Gerber Plymouth

**Model: 2018-KO-B1** Kohler Brenham

**Model: 2018-KO-C1** Kohler Chesapeake

**Model: 2018-KO-G1** Kohler Greenwich, Model 202

**Model: 2018-KON-G1** Kohler Greenwich, Model 203

**Model: 2018-KO-H1** Kohler Hudson

**Model: 2018-KO-K1** Kohler Kingston

**Model: 2018-KO-P1** Kohler Pinoir

**Model: 2018-KO-S1** Kohler Soho

**Model: 2018-MAN1** Mansfield Grand Isle

**Model: 2018-SL-SS1** Sloan SS-3003

**Model: 2018-TO-L1** Toto LT307

**Model: 2018-ZN-Z1** Zurn Z5344

**Model: 2018-ZN-NZ1** Zurn Z5344