



## Terrazzo-Ware™ Mop Sink - Drop Front Series



TDF-24

Fixture May Show Some Available Options

Please visit [www.acorneng.com](http://www.acorneng.com) for most current specifications.

### Terrazzo Drop Front Mop Sink

**Mop Sink** is an attractive, durable fixture designed to be easy to install and maintain. **ACORN Terrazzo-Ware™** precast mop sinks provide flexibility in configuration and size as required by the design of the building and the specific installation. Custom sizes and colors are also available.

**Front Shoulder** is dropped 6" to allow easier bucket tipping. A stainless steel cap is provided on this dropped front shoulder for additional protection. Other shoulders are 12" high and pitched to provide drainage. Also comes standard without caps exposing the natural terrazzo finish. Optionally, they may be capped with stainless steel for protection.

**Construction** is one piece, precast terrazzo composed of marble chips cast in Portland cement to provide a compressive strength of at least 3,000 PSI seven days after casting. The mop sink surface is ground smooth and sealed to provide years of service.

**Integral Drain** is supplied with a removable, stainless steel grid strainer and provides for an inside caulked connection to a 3" pipe. The mop sink has coved corners and is pitched to the drain outlet to provide positive drainage. A beehive dome strainer is optionally available.

**Tiling Flanges** made of galvanized steel are provided loose as an easy to install accessory when flexibility and simplicity are desired. As an alternative, factory installed galvanized steel tiling flanges extending at least 1" above the shoulder can be specified.

**Accessories** to complement and complete the installation of the mop sink include:

- chrome finish faucets
- 3/8" hose to reduce splashing with wall hanger to support the hose
- mop hanger for easy storage of the mop over the sink
- rubber drain gaskets for easy installation of the fixture
- stainless steel wall guards to protect sensitive walls from splashing water
- tiling flanges for simple, flexible field installation

#### GUIDE SPECIFICATION

Provide and install an **ACORN Drop Front Mop Sink** (specify model number and options). Mop Sink shall be made of precast terrazzo to produce a compressive strength of at least 3,000 PSI seven days after casting. All exposed surfaces shall be ground smooth and sealed. No air holes or pits shall be allowed on the finished surface. Sink shall have coved corners and be pitched to the drain outlet for positive drainage. Integral drain shall have a stainless steel strainer and provide for an inside caulked connection to a 3" pipe. The manufacturer will provide to the installer the necessary installation instructions.



# Terrazzo-Ware™: Mop Sink - Drop Front Series

## BASE MODEL, SIZE & TYPE (Must Specify)

- TDF-24** 24" Square Terrazzo Drop Front Mop Sink
- TDF-32** 32" Square Terrazzo Drop Front Mop Sink
- TDF-36** 36" Square Terrazzo Drop Front Mop Sink
- TDF-3624** 36" x 24" Rectangular Terrazzo Drop Front Mop Sink

## SUFFIX OPTIONS

- BDS Beehive Dome Strainer
- OC Optional Colors (contact factory)
- SSC Stainless Steel Cap

## TILING FLANGES (factory installed)

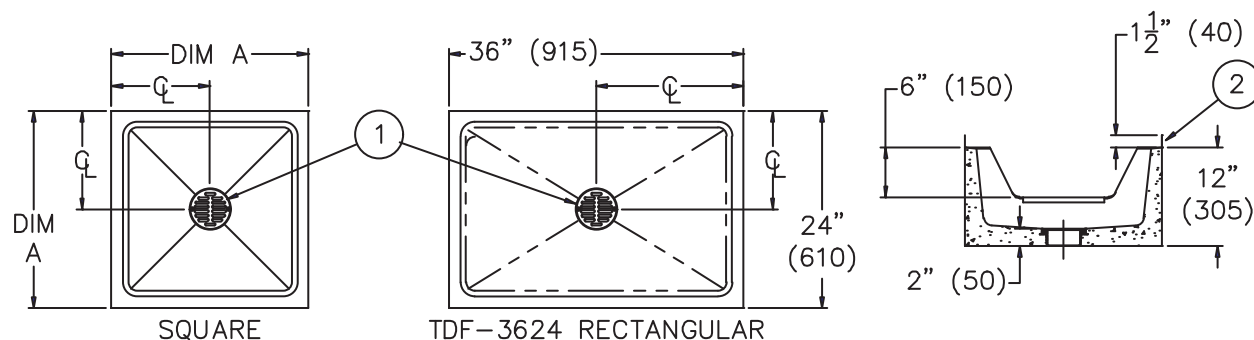
- TF1 Tiling Flange, Rear Side
- TF2 Tiling Flange, Two Adjacent Sides  
Specify:  Right & Rear  Left & Rear
- TF3 Tiling Flange, Three Sides

## ACCESSORIES

- KDG3 Rubber Drain Gasket for 3" Waste Pipe
- KDG32 Rubber Drain Gasket Reducer for 2" Waste Pipe
- KF Tiling Flange(s) (Shipped Loose)  
**Specify length(s):**  
 24" Qty: \_\_\_\_\_  32" Qty: \_\_\_\_\_  
 36" Qty: \_\_\_\_\_
- KFC Faucet, Chrome Finish (H & C)
- KH36 Hose 36" Long with Wall Hanger
- KMH Mop Hanger with 3 Grips on a Stainless Steel Bracket
- KWG Wall Guard (Shipped Loose)  
**Specify number of sides:**  
 1 Side  2 Sides  3 Sides  
**Specify length(s):**  
 24" Qty: \_\_\_\_\_  32" Qty: \_\_\_\_\_  
 36" Qty: \_\_\_\_\_
- LB Lint Basket/Strainer

Please visit [www.acorneng.com](http://www.acorneng.com) for most current specifications.

MODEL NUMBER	TYPE	SIZES/DIMENSIONS
		A – LENGTH
TDF-24	SQUARE	24" (610)
TDF-32	SQUARE	32" (815)
TDF-36	SQUARE	36" (915)



- NOTES: TERRAZZO-WARE DROP FRONT SERIES MOP SINKS
- Integral drain with removable grid strainer. Drain provides inside caulk connection to 3" pipe.
  - TF Tiling Flange. Shown for Reference Only.

**WARNING:** Cancer and Reproductive Harm - [www.P65Warnings.ca.gov](http://www.P65Warnings.ca.gov)

<p><b>Important:</b> Installation instructions and current rough-in are furnished with each fixture. Do not rough in without certified dimensions. Dimensions are subject to manufacturer's tolerance of plus or minus 1/4" and change without notice. Acorn assumes no responsibility for use of void or superseded data. © Copyright 2007 Acorn Engineering Company</p>	
<p>Selection Summary</p> <p>Model No. &amp; Option _____</p> <p>Quantity _____</p>	<p>Approved for Manufacturing</p> <p>Company _____ Title _____</p> <p>Signature _____ Date _____</p>