

OVERVIEW

The Endurance Desk is a versatile, heavy duty desk that is ideal for continuous, intensive use in correctional or institutional environments. **Manufactured to ISO Quality Standards in the USA.**

FABRICATION/MATERIAL

Durable, one piece, rotationally molded design for increased strength. Constructed of high impact polyethylene. Smooth laminate writing surface. No steel components. Flame Retardant (as shown passes Cal 133). Test reports available upon request.

COLOR Black, Blue Gray, Brown, Green, Slate Blue, custom colors available upon request.

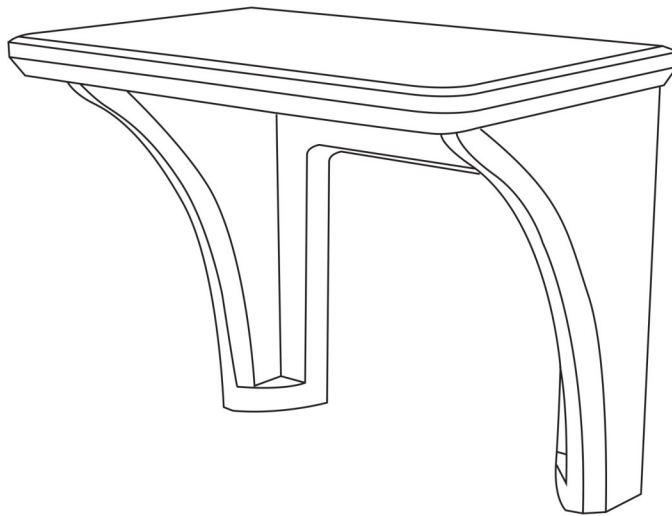
WEIGHT 35 lbs.

OPTIONS N/A

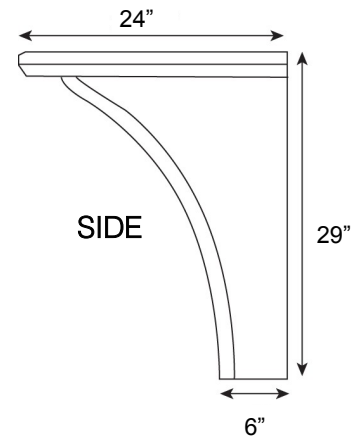
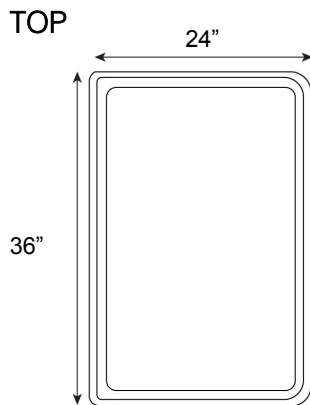
ASSEMBLY Bolt to the floor and wall via concealed pilot holes with hardware of your choice.

WARRANTY 10 Year Warranty.

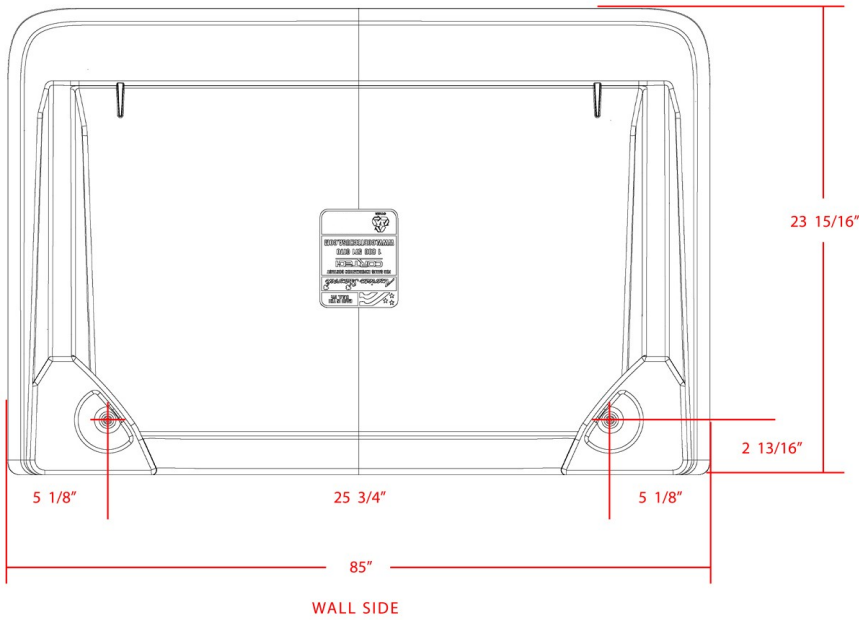
MAINTENANCE Easy to clean and maintain with damp cloth. Resistant to stains.



Item #	Color
7603BK	Black FR
7603SB	Slate Blue FR
7603GN	Green FR
7603BN	Brown FR
7603G	Blue Gray FR



ENDURANCE DESK BOLT LOCATIONS—FLOOR MOUNT



ENDURANCE DESK BOLT LOCATIONS—WALL MOUNT

