

OVERVIEW

The Endurance Night Stand is a versatile, heavy duty night stand that is ideal for continuous, intensive use in correctional or institutional environments. **Manufactured to ISO Quality Standards in the USA.**

FABRICATION/MATERIAL

Durable, one piece, rotationally molded design for increased strength. Constructed of high impact polyethylene. No steel or wood components. Flame Retardant (as shown passes Cal 133). Test reports available upon request.

COLOR Black, Blue Gray, Brown, Green, Slate Blue, custom colors available upon request.

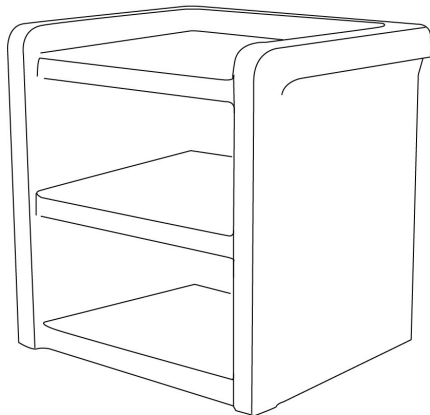
WEIGHT 26 lbs

OPTIONS N/A

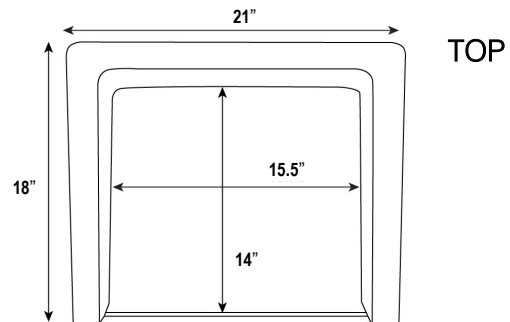
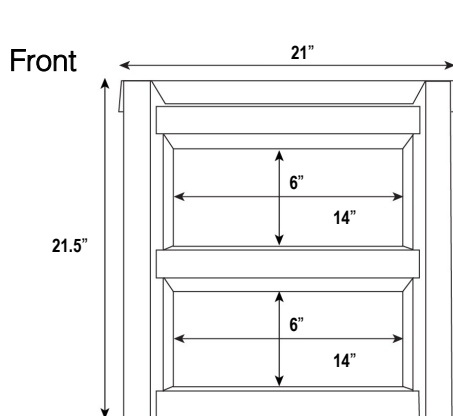
ASSEMBLY Bolt to the floor via concealed pilot holes with hardware of your choice.

WARRANTY 10 Year Warranty.

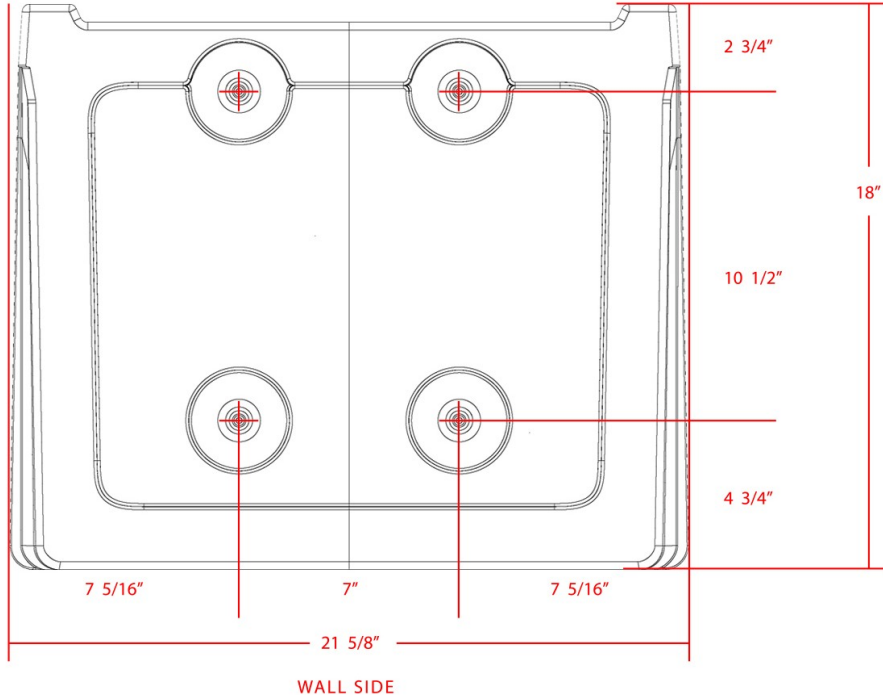
MAINTENANCE Easy to clean and maintain with damp cloth. Resistant to stains.



Item #	Color
7602BK	Black FR
7602SB	Slate Blue FR
7602GN	Green FR
7602BN	Brown FR
7602G	Blue Gray FR



ENDURANCE NIGHT STAND BOLT LOCATIONS—FLOOR MOUNT



ENDURANCE NIGHT STAND BOLT LOCATIONS—WALL MOUNT

