

WINGITS®

MODERN Elegance™

Stainless Steel Double Robe Hook

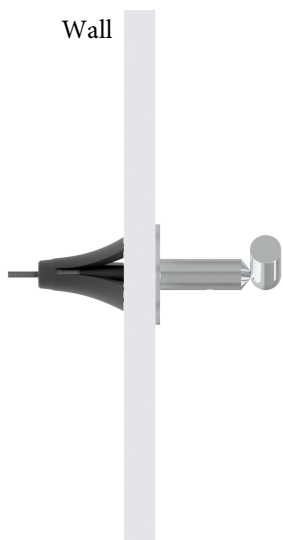
Model:

WMEDRH

Part Numbers:

WMEDRHPS
Polished Finish

WMEDRHSN
Satin Finish



Features:

- Modern design combined with **PATENTED** BridgeBind™ Manufacturing creates the ultimate in bath accessories
- No Lines for Dirt to Collect - Maintenance Free
- Hand Polished Stainless Steel

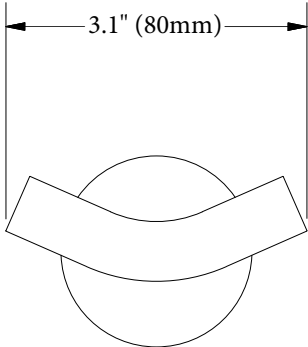
MECHANICAL DATA
Length: 3.125" (80mm)
Depth: 2.5" (64mm)
Height: 2" (51mm)
Tube Diameter: 0.625" (16mm)
COMPOSITION
18-8 (304) Stainless Steel
INSTALLATION
Includes Stainless Steel Screw to Install into Adequate Structural Blocking . Includes 3M® VHB Waterproof Tape. Can Be Installed with WINGITS® Fasteners when blocking is not available.
RECOMMENDED INTEGRATION
PROPER INSTALLATION REQUIRES use of 3M® VHB Waterproof Tape to stop rotation and MUST be installed into Adequate Structural Blocking or with optional WINGITS® Fasteners. WINGITS® MODERN™ design is available in all Bath Accessories.

PATENTED
BridgeBind™ Technology

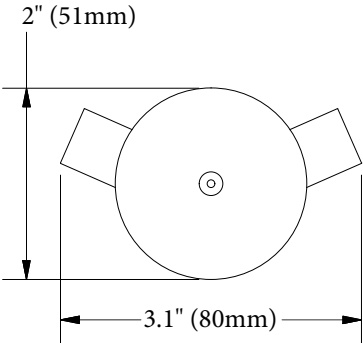


A steel dowel is expertly embedded in a stainless steel tube then arc welded to the tube's far side for the perfect structural synthesis

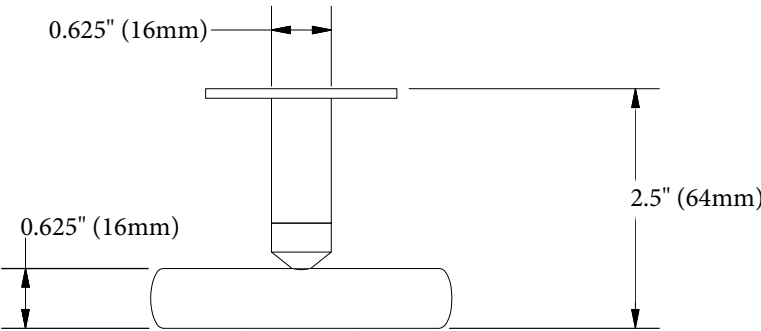
Front



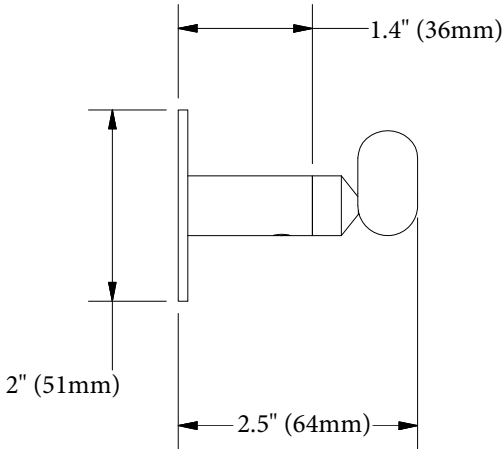
Back



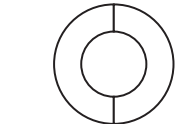
Top



Side



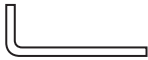
Included Hardware



3M Waterproof Tape (1)



2.5" S/S Screw (1)

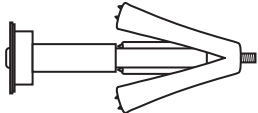


Allen Wrench (1)



Set Screw (1)

Optional Hardware
(Sold Separately)



WINGITS® MASTER Anchor™ (MAW35)
(1)