

WINGITS®

MASTER™

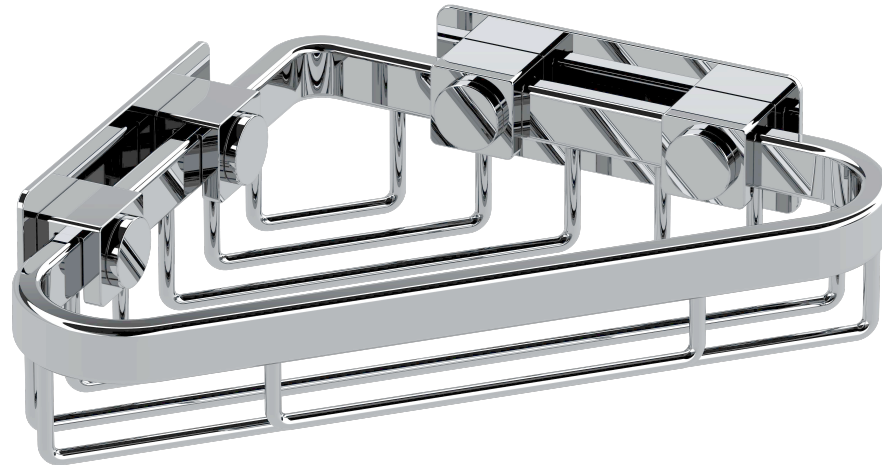
6" Wire Corner Basket

Model:
WCB

Part Numbers:

WCBPS6
Polished Finish

WCBSN6
Satin Finish

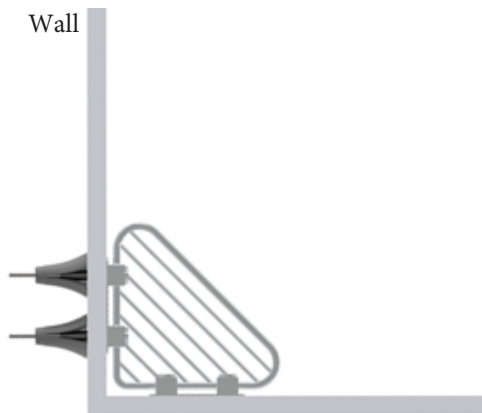


Includes World's
Strongest Fastener®



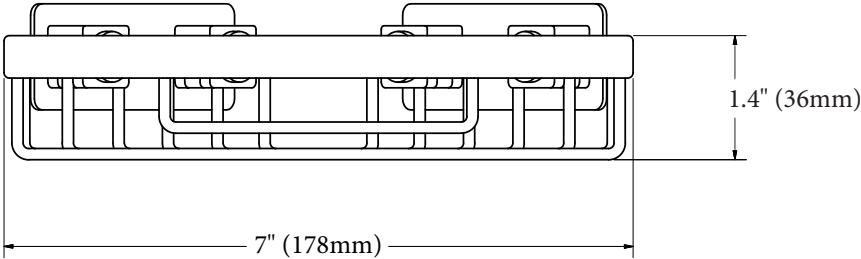
Features:

- Hand Polished Stainless Steel
- Beauty, Functionality & Durability
- Unparalleled Strength when Installed with WINGITS® Fasteners - Included

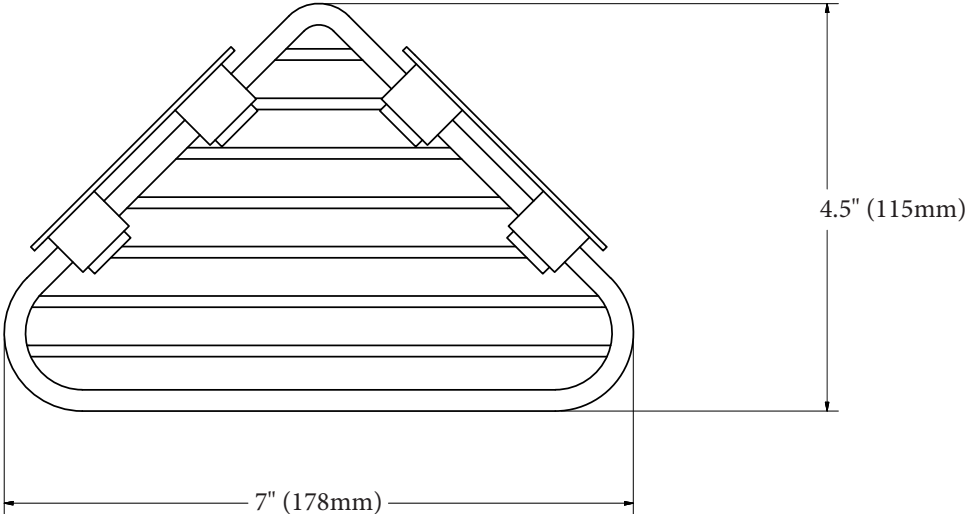


MECHANICAL DATA
Length: 7" (178mm)
Height: 1.75" (44mm)
Depth: 4.5" (115mm)
COMPOSITION
18-8 (304) Stainless Steel
INSTALLATION
Includes WINGITS® Fasteners for hollow-wall construction. Includes 3M® VHB Waterproof Tape.
RECOMMENDED INTEGRATION
Install with WINGITS® Fasteners (included) for Structural Waterproof Installation into hollow walls.

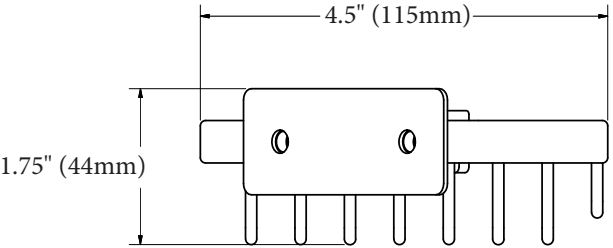
Front



Top



Side



Included Hardware



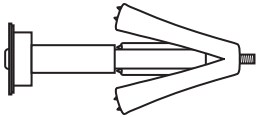
3.25" x 1.25" Wall Guard (2)



S/S Screw for Blocking (4)



Plastic Shield (4)



WINGITS® MASTER Anchor (MAW35) (2)