

Document Number	Revision	Revision Date	Product Date Code Beginning With
L4291	Rev. D	06/2022	B (RC756) C (RC7513)

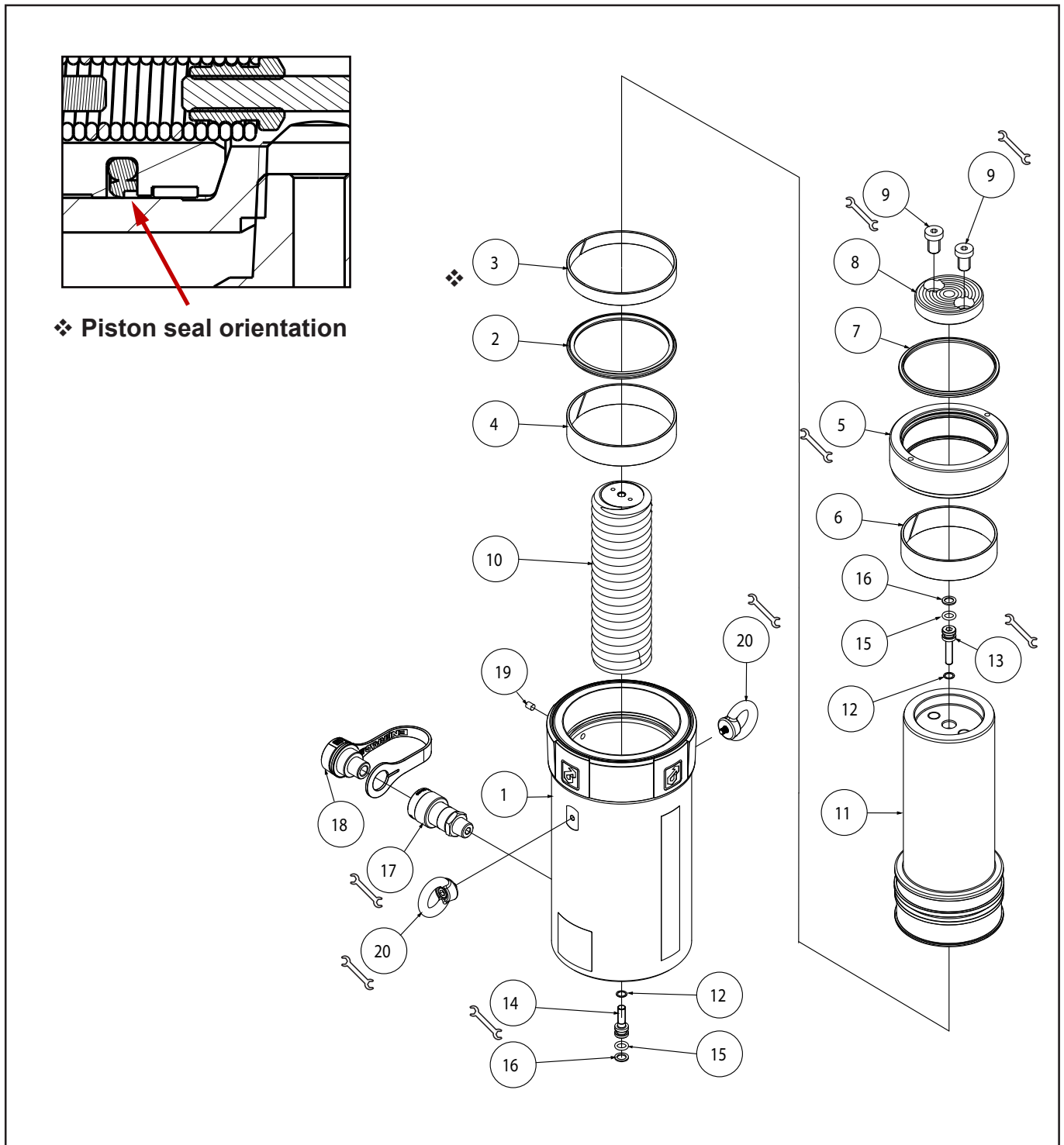


Figure 1, RC Hydraulic Cylinder, 75 Ton

Repair Parts List, Figure 1

Item	Description	Qty	RC756	RC7513
1	Base	1	N/A	N/A
2	Piston Seal	1	▲ ●	▲ ●
3	Wear Band, Plunger	1	▲ ★	▲ ★
4	Wear Band, Plunger	1	▲ ◆	▲ ◆
5	Stop Ring	1	RC75044	RC75044
6	Wear Band, Stop Ring	1	▲ *	▲ *
7	Wiper	1	▲ ✕	▲ ✕
8	Saddle	1	HCL50045	HCL50045
9	Screw, Low Head Socket .50-13 x .75"	2	▲	▲
10	Spring Assembly	1	RC75NKS1	RC75NKS2
11	Plunger	1	RC756040	RC7513040
12	Copper Gasket	2	▲ ■	▲ ■
13	Screw, Socket Head (thread size/ thread length)	1	▲ ■ (M8X1.25/32 mm)	▲ ■ (M8X1.25/45 mm)
14	Screw, Spring (thread size/ thread length)	1	▲ ■ (M8X1.25/24 mm)	▲ ■ (M8X1.25/24 mm)
15	O-Ring	2	▲ ■	▲ ■
16	Backup, Split	2	▲ ■	▲ ■
17	Coupler	1	CR400	CR400
18	Dust Cap ▲	1	CD411	CD411
19	Filter	1	▲	▲
20	Lifting Eye	2	DB8099667	DB8099667
N/S	O-ring, coupler	1	▲	▲
N/S	Enerpac Decal	1	▲	▲
N/S	Warning Decal	1	▲	▲
N/S	Thread Protector	1	▲	▲

Notes:

- ▲ Indicated item included in and available as a part of the Repair Kit RC75NK0⁽¹⁾
- Indicated item included in and available as a part of the Spring Assembly
- Indicated item included in and available as packs of 10 units in Seal Kit RC75NKS (see below)
- ★ Indicated item included in and available as packs of 10 units in Wear Band Kit Plunger RC75NKB1 (see below)
- ◆ Indicated item included in and available as packs of 10 units in Wear Band Kit Plunger RC75NKB2 (see below)
- * Indicated item included in and available as packs of 10 units in Wear Band Kit Stop Ring RC75NKB3 (see below)
- ✕ Indicated item included in and available as packs of 10 units in Wiper Kit RC75NKW (see below)

●★◆*✕ Kits only available in America

⁽¹⁾Viton® seals are available in the RC75NK0V seal kit. Viton® equipped coupler CR400V can also be ordered separately for a complete conversion.



Item nr.	Torque/ remark
5, 20	Secure with Loctite 222 and torque to 70-90 in-lbs [7.9-10.2 Nm]
9	Torque to 15-25 ft-lbs [20-34 Nm]
13, 14	Torque to 90-110 in-lbs [10.2-12.4 Nm]
17	Torque to 40-60 ft-lbs [54-81 Nm]
	Use Loctite 545 or Teflon Tape