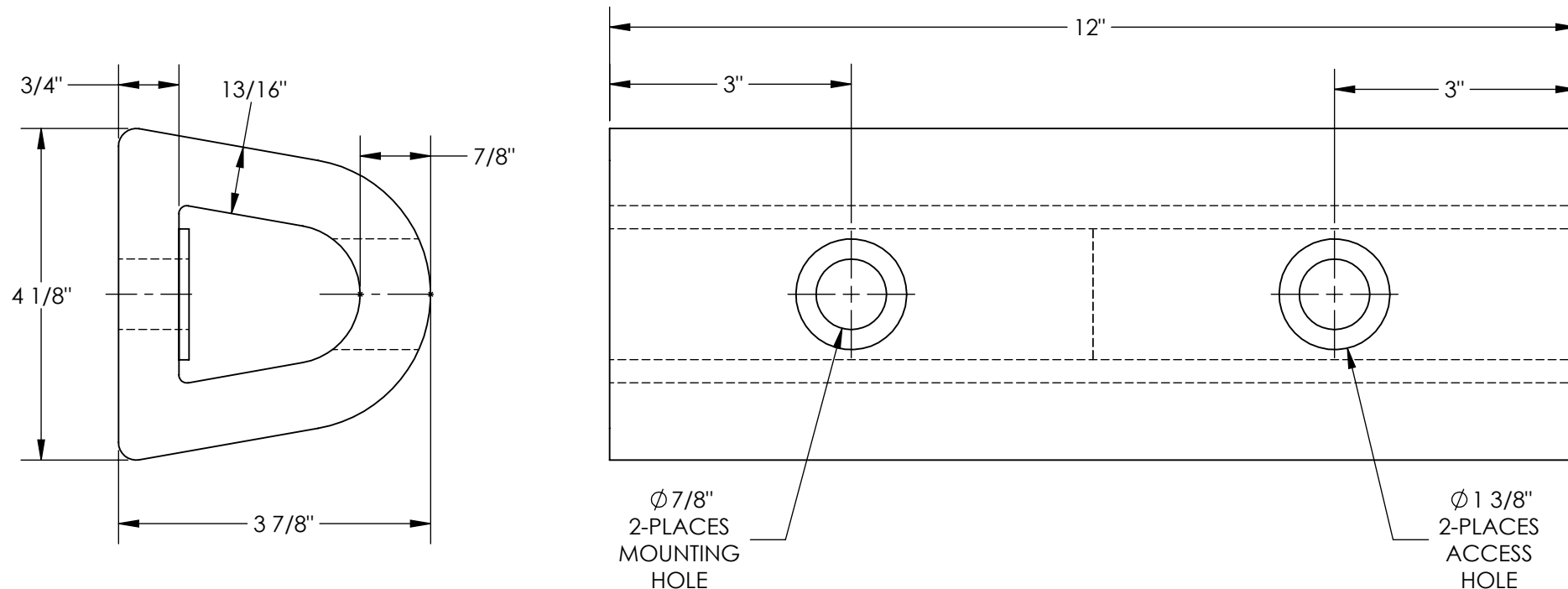


EXTRUDED RUBBER BUMPER - M-4-12

APPROX WEIGHT: 4.36 lbs.
DOES NOT INCLUDE WEIGHT OF POWER OR PACKAGING!!!

*** ANY ADDITIONS, DELETIONS, OR OMISSIONS MUST BE CORRECTED ON THIS DRAWING AS THIS DRAWING WILL BE CONSIDERED ALL INCLUSIVE ***

ALL GRAPHICS PROVIDED ARE FOR REFERENCE ONLY. IF CERTAIN DIMENSIONS ARE CRITICAL PLEASE VERIFY THOSE DIMENSIONS WITH YOUR SALESPERSON



STANDARD FEATURES

- MODEL NUMBER IS M-4-12
- OVERALL WIDTH IS 4 1/8"
- OVERALL LENGTH IS 12"
- OVERALL PROJECTION 3 7/8"
- NUMBER OF MOUNT HOLES 2
- MOUNTING HOLE SIZE $\phi 7/8"$
- ACCESS HOLE SIZE $\phi 1 3/8"$
- (2)-REINFORCEMENT PLATES INCLUDED
SIZE: 1 5/8" x 6"
- DUROMETER READING: A70 \pm 5
- TENSIL: 1850 PSI
- ELONGATION: 220%
- TEAR STRENGTH: 229 LBS
- IMPACT RESISTANCE: 75%
- BUMPER COLOR: BLACK

SPECIAL FEATURES

NONE

DIMENSION TOLERANCE $\pm 3/4"$

APPROVAL	I, THE UNDERSIGNED, AGREE THAT THE PRODUCT AS REPRESENTED SATISFIES DESIGN AND DIMENSION REQUIREMENTS. I ALSO ACKNOWLEDGE MY DUTY TO CONFIRM PRODUCT AND INSTALLATION COMPLIANCE WITH ALL APPLICABLE FEDERAL, STATE AND LOCAL REGULATIONS AND STANDARDS.	
	ANY MODIFIED UNITS ARE NON-RETURNABLE	
	[] As drawn [] As marked	
	Signed: _____ Date: _____	
Printed Name: _____		
LEAD TIME WILL START UPON RECEIPT OF SIGNED APPROVAL DRAWING		

FOR INTERNAL USE ONLY PROJECT SIGN OFF	
SALES	
ENG.	
FAB.	
POWER	

DISTRIBUTOR'S NAME:		P.O.#
VESTIL MANUFACTURING		X
DRAWN BY: JWW		DATE: 04/25/19
REFERENCE: X		SCALE: 1:2
QUOTED LEAD TIME: X		QUOTE # X
		SALES: X
		FILE NAME: 29-007-074