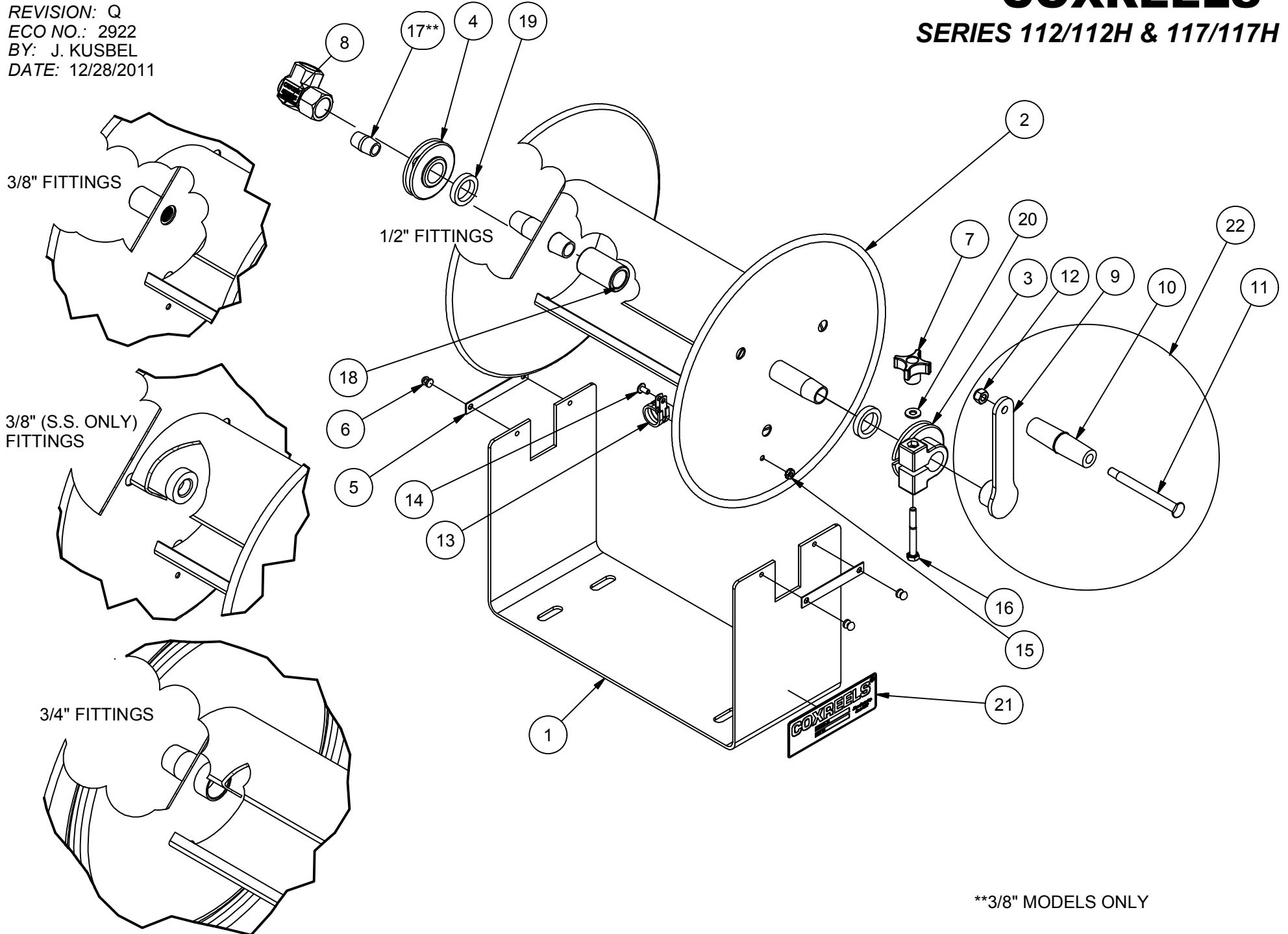


# EXP-40

REVISION: Q  
ECO NO.: 2922  
BY: J. KUSBEL  
DATE: 12/28/2011

# COXREELS

## SERIES 112/112H & 117/117H



\*\*3/8" MODELS ONLY

## COMMON PARTS TO ALL "U" FRAME CHALLENGER REELS

ASSY. ITEM NO.	DETAIL ITEM NO.	PART NO.	DESCRIPTION	112P-3-8	112-3-50	112-3-100	112-3-150	112-4-75	117-3-250	117-3-400	117-3-550	117-4-225	117-4-350	117-5-100	112H-3-100	112H-3-150	117H-4-225		
	1	6304-1-4.5	FRAME, "U", CHALLENGER		1														
		6304-1-8	FRAME, "U", CHALLENGER	1		1										1			
		6304-1-12.5	FRAME, "U", CHALLENGER				1	1									1		
		6304-2-8	FRAME, "U", CHALLENGER							1									
		6304-2-12.5	FRAME, "U", CHALLENGER								1		1		1				1
			6304-2-18	FRAME, "U", CHALLENGER								1		1					
	2		7118-1-4.5	DRUM ASSY, 3/8" NPT, 5.5" X 4.5"W		1													
			7118-1-8	DRUM ASSY, 3/8" NPT, 5.5" X 8"W			1										1		
			7118-1-8-SPEC	DRUM ASSY, 3/8" NPT, 5.5" X 8"W (SS PLUMBING)	1														
			7118-1-12.5	DRUM ASSY, 3/8" NPT, 5.5" X 12.5"W				1										1	
			7118-2-8	DRUM ASSY, 3/8" NPT, 5.5" X 8"W						1									
			7118-2-12.5	DRUM ASSY, 3/8" NPT, 5.5" X 12.5"W								1							
			7118-2-18	DRUM ASSY, 3/8" NPT, 5.5" X 18"W									1						
			7108-1-12.5	DRUM ASSY, 1/2" NPT, 5.5" X 12.5"W					1										
			7108-2-12.5	DRUM ASSY, 1/2" NPT, 5.5" X 12.5"W										1					1
			7108-2-18	DRUM ASSY, 1/2" NPT, 5.5" X 18"W											1				
		7108-5-12.5	DRUM ASSY, 3/4" NPT, 5.5" X 12.5"W												1				
	3		6329-1-1	BEARING, EPDM, .877" ID, CRANK SIDE	1	1	1	1	1	1	1	1	1	1	1	1	1	1	1
	4		6328-1-1	BEARING, EPDM, .877" ID, PLUMBING SIDE	1	1	1	1	1	1	1	1	1	1	1	1	1	1	1
			6328-1-2	BEARING, EPDM, 1.058" ID, PLUMBING SIDE												1			
	5		15711-1	PLATE, KEEPER, BEARING	2	2	2	2	2	2	2	2	2	2	2	2	2	2	2
	6		7105	RIVET, POP, ALUMINUM	4	4	4	4	4	4	4	4	4	4	4	4	4	4	4
	7		15719	KNOB, BLACK, PHENOLIC	1	1	1	1	1	1	1	1	1	1	1	1	1	1	1
	8		1935	SWIVEL, 3/8" NPT, CARBOXYLATED		1	1	1		1	1	1					1	1	
			433-FG-SS	SWIVEL, 3/8" NPT, NITRILE, FOOD GRADE, SS	1														
		439	SWIVEL, 1/2" NPT, CARBOXYLATED					1				1	1					1	
		426	SWIVEL, 3/4" NPT, CARBOXYLATED												1				
22		7272-1	CRANK ARM ASSEMBLY	1	1	1	1	1	1	1	1	1	1	1	1	1	1	1	
	9	7107	CRANK ARM	1	1	1	1	1	1	1	1	1	1	1	1	1	1	1	
	10	6333	HANDLE, CRANK	1	1	1	1	1	1	1	1	1	1	1	1	1	1	1	
	11	1621	BOLT, SHOULDER, 5/16-18	1	1	1	1	1	1	1	1	1	1	1	1	1	1	1	
	12	111-1	NUT, LOCK, 5/16-18 (LOW PROFILE)	1	1	1	1	1	1	1	1	1	1	1	1	1	1	1	
			381	HOSE CLAMP, #10	1	1	1	1		1	1	1				1	1		
	13	383	HOSE CLAMP, #12					1				1	1				1		
		384	HOSE CLAMP, #18												1			1	
		14	245	SCREW, TRUSS HD, 10-32 X 3/8"	1	1	1	1	1	1	1	1	1	1	1	1	1	1	1
	15	130	NUT, KEPS, 10-32	1	1	1	1	1	1	1	1	1	1	1	1	1	1	1	
	16	7146	BOLT, HEX, 1/4-20 X 2-1/4", GR 5	1	1	1	1	1	1	1	1	1	1	1	1	1	1	1	
	17	7115	NIPPLE, 3/8-18 X CLOSE, SCH 80	1	1	1	1		1	1	1					1	1		
	18	7116	AXLE, PLUMBING, 1/2-14 COUPLING					1*					1*	1*				1*	
	19	7145	SPACER	2	2	2	2	2	2	2	2	2	2	2	1	2	2	2	
	20	688	WASHER, FLAT, 1/4" SAE	1	1	1	1	1	1	1	1	1	1	1	1	1	1	1	
	21	10925-5	NAMEPLATE, PRODUCT, STD DECAL	1	1	1	1	1	1	1	1	1	1	1	1	1	1	1	
			5153-100	HOSE, LP, 3/8" X 100', PVC													1***		
		5153-150	HOSE, LP, 3/8" X 150', PVC														1***		
		5154-225	HOSE, LP, 1/2" X 225', PVC															1***	

\*SHOWN FOR REFERENCE. INCLUDED WITH DRUM ASSEMBLY.

\*\*\*INSTALL HOSE ON MODELS WITH "H" DESIGNATION ONLY. (112H-3-100, 112H-3-150, &amp; 117H-4-225)

REVISION: Q

ECO: 2922

DATE: 12/28/2011

NAME: J. KUSBEL