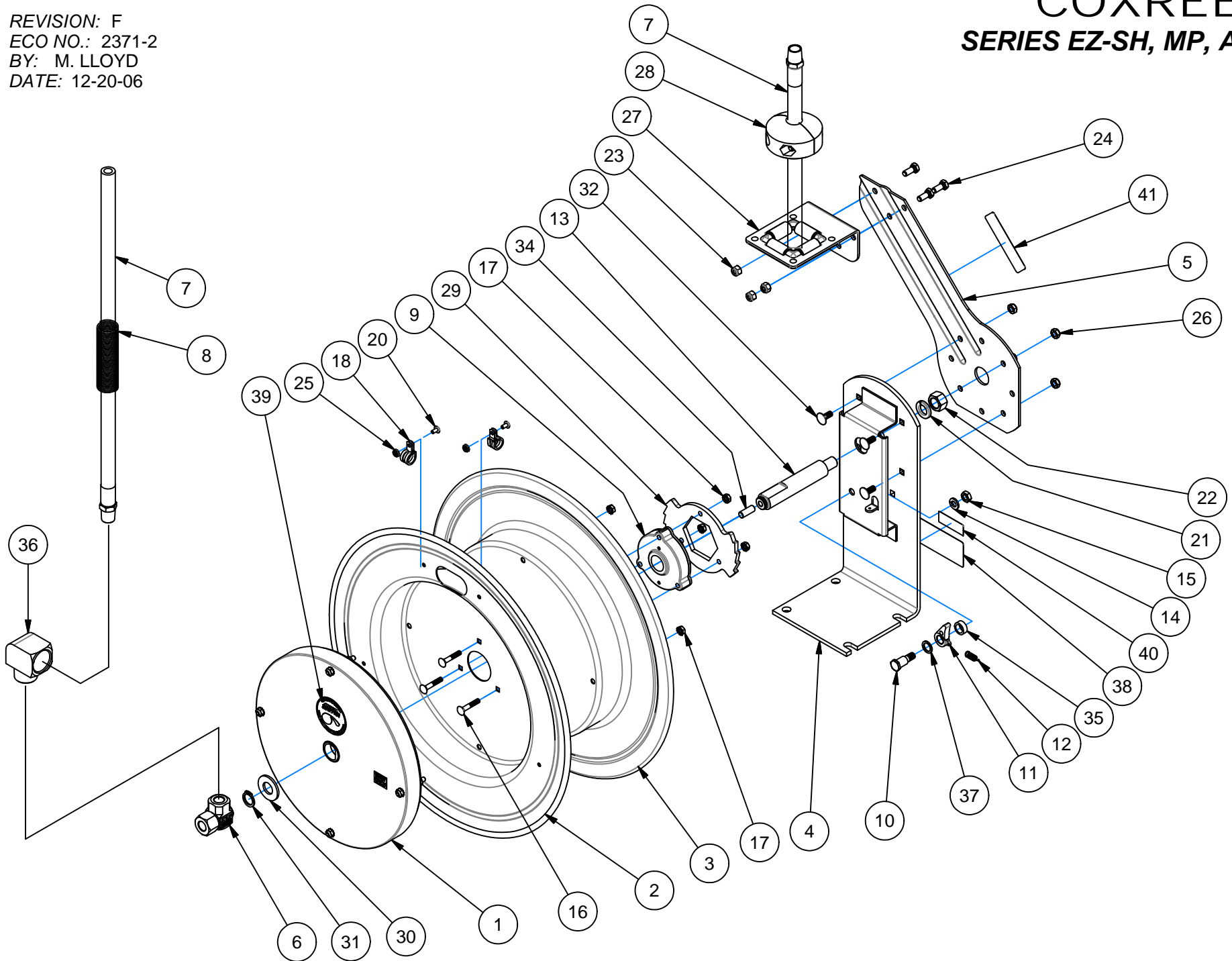


# EXP-15EZ

REVISION: F  
ECO NO.: 2371-2  
BY: M. LLOYD  
DATE: 12-20-06

# COXREELS SERIES EZ-SH, MP, AND HP



COMMON PARTS TO ALL SERIES EZ-SH, EZ-MP AND EZ-HP REELS

ITEM NO.	PART NO.	DESCRIPTION	QTY REQ'D
10	1620	BOLT, SHOULDER, 1/2"x1.5"	1
11	640-1-SS	CAM, LOCKING	1
12	274-1-SS	SPRING, DOG	1
14	437	WASHER, LOCK, 3/8"	1
15	184	NUT, JAM, 3/8-16	1
16	1953	CARRIAGE BOLT, 1/4-20 x 1.5"	3
17	125	NUT, KEPS, 1/4-20	7
20	245	BOLT, 10-32 x 3/8"	2
21	438	WASHER, LOCK, 5/8"	1
22	3584	NUT, 5/8-11	1
23	111	NUT, LOCK, 5/16-18	3
24	312	BOLT, 5/16-18"	3
25	130	NUT, KEPS, 10-32	2

ITEM NO.	PART NO.	DESCRIPTION	QTY REQ'D
26	111-1	NUT, LOCK 5/16-18, LOW PROF	4
29	1924	LOCKING RING	1
30	1755-1	WASHER, SPACER	1
31	1753	RETAINING RING (5160-75)	1
32	10220-75	BOLT, CARRIAGE, 5/16-18x3/4"	4
34	10235-SS	SETSCREW, 3/8-16x1"-SS	1
35	6440-SS	WASHER, SPACER	1
37	6441-1	WASHER, SPACER	1
38	10925-5B	LABEL, ID, STD	1
39	10937	LABEL, EZ-COIL PRODUCT	1
40	10937-1	LABEL, EZ-COIL PATENT NO.	1
41	10950	LABEL, EZ-COIL ARM	1

ITEM NUMBER

MODEL NO.	1	2	3	4	5	6	* 7	* 7	* 7	* 8	9	13	18	27	* 28	36
	SPRING	DRUM	DRUM	BASE	ARM	SWIVEL	HOSE (STD)	HOSE (-OG)	HOSE (-RH)	HOSE GRD	EZ-COIL	AXLE	CLAMP	ROLLER BRKT	BALL STOP	ELBOW
EZ-SH-350	690-2	1703	1702	1743-2	1732	1935	5153-50	5101-50	5045-50	237-1	7474-4-R	1793	381	1728-1	131-3	-
EZ-SH-375	698-1	1705	1704	1744-2	1733	1935	5153-75	5101-75	5045-75	237-1	7474-8-R	1793	381	1829-2	131-3	-
EZ-SH-3100	698-2	1705	1704	1744-2	1733	1935	5153-100	5101-100	5045-100	237-1	7474-8-R	1793	381	1829-2	131-3	-
EZ-SH-450	691-3	1703	1702	1743-2	1732	439	5154-50	5131-50	5066-50	398-1	7474-6-R	1793	383	1728-1	131-4	-
EZ-SH-475	692-2	1705	1704	1744-2	1733	439	5154-75	5131-75	5066-75	398-1	7474-8-R	1794	383	1829-2	131-4	-
EZ-SH-4100	656	1705	1704	1744-2	1733	439	5154-100	5131-100	5066-100	398-1	7474-10-R	1794	383	1829-2	131-4	-
EZ-SH-525	691-1	1703	1702	1743-2	1732	426	5155-25	5163-25	5091-25	398-1	7474-6-R	1793	384	1728-1	430	385
EZ-SHF-525	691-1	1703-1	1702	1743-2	1732	426	5097-25	-	-	398-1	7474-6-R	1793	384	1728-1	430	385
EZ-SH-550	692-1	1705	1704	1744-2	1733	426	5155-50	5163-50	5091-50	398-1	7474-8-R	1794	384	1829-2	430	385

ITEM NUMBER

MODEL NO.	1	2	3	4	5	6	* 7		* 8	9	13	18	27	* 28	36
	SPRING	DRUM	DRUM	BASE	ARM	SWIVEL	HOSE		HOSE GRD	EZ-COIL	AXLE	CLAMP	ROLLER BRKT	BALL STOP	ELBOW
EZ-MP-350	646	1703	1702	1743-2	1732	1935	5224-50		237-1	7474-6-R	1793	381	1728-1	131-3	-
EZ-MP-450	696-1	1703	1702	1743-2	1732	439	5256-50		398-1	7474-8-R	1794	383	1728-1	131-4	-

ITEM NUMBER

MODEL NO.	1	2	3	4	5	6	* 7		* 8	9	13	18	27	* 28	36
	SPRING	DRUM	DRUM	BASE	ARM	SWIVEL	HOSE		HOSE GRD	EZ-COIL	AXLE	CLAMP	ROLLER BRKT	BALL STOP	ELBOW
EZ-HP-150	646	1703	1702	1743-2	1732	499	5304-50		237-1	7474-6-R	1793	115	1728-1	131	-
EZ-HP-350	696-1	1703	1702	1743-2	1732	521	5336-50		237-1	7474-8-R	1794	613	1728-1	131-3	-

\* ON "LESS HOSE" MODELS (EZ-SHL/EZ-MPL/EZ-HPL) EXCLUDE ITEMS #7,#8, AND #28.

NOTE: MODELS SUPPLIED WITH "STANDARD" HOSE UNLESS SUFFIXED WITH "-OG" OR "-RH". USE HOSE NUMBERS AS NOTED ABOVE.

REEL ASSEMBLY REPORT R100 (LATCHOUT REMOVAL), R101 (LOCKING RING PLACEMENT), R112 (TIGHTENING AND TORQUING)