



OWNER'S MANUAL
MANUAL DEL USUARIO
GUIDE D'UTILISATION

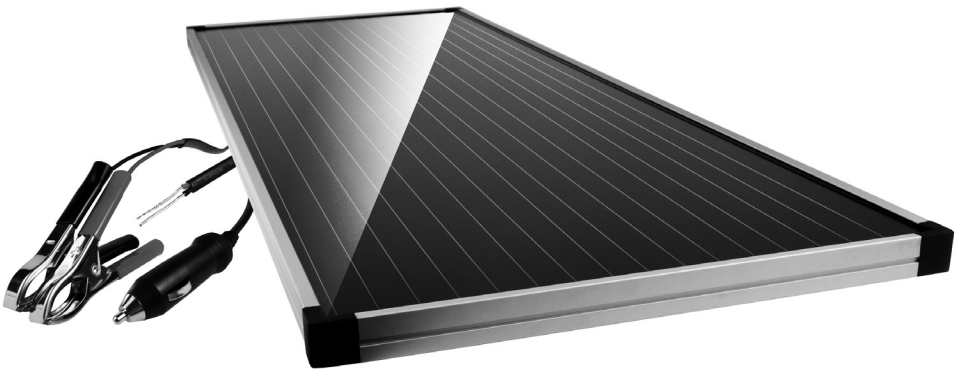
Model / Modelo / Modèle :

SP-1500

**Solar Battery Charger/Maintainer
with charge controller**

**Cargador/Maintenedor Solar de Baterías
con controlador de carga**

**Dispositif d'Entretien / Chargeur
de Batterie Solaire avec régulateur de charge**



PLEASE SAVE THIS OWNERS MANUAL AND READ BEFORE EACH USE. This manual will explain how to use the product safely and effectively. Please read and follow these instructions and precautions carefully.

POR FAVOR CONSERVE ESTE MANUAL DEL USUARIO Y LEALO ANTES DE CADA USO. En este manual le explica cómo utilizar el producto de manera segura y confiable. Por favor, lea y siga las siguientes instrucciones y precauciones.

ESSAYER DE GARDER LE MANUEL D'INSTRUCTIONS ET LE LIRE AVANT CHAQUE UTILISATION. Ce manuel explique comment utiliser l'unité d'une façon sûre et efficace. S'il vous plaît lisez et suivez ces instructions et précautions.

CONTENTS

IMPORTANT SAFETY INSTRUCTIONS	4
PERSONAL PRECAUTIONS	4
PREPARING TO MAINTAIN OR CHARGE	5
SOLAR PANEL LOCATION	5
DC CONNECTION PRECAUTIONS	5
FOLLOW THESE STEPS WHEN BATTERY IS INSTALLED IN VEHICLE	5
FOLLOW THESE STEPS WHEN BATTERY IS OUTSIDE VEHICLE	6
ASSEMBLY AND MOUNTING INSTRUCTIONS	6
FEATURES	7
USING THE SOLAR CHARGE CONTROLLER	7
OPERATING INSTRUCTIONS	8
MAINTENANCE INSTRUCTIONS	9
MOVING AND STORAGE INSTRUCTIONS	9
BEFORE RETURNING FOR REPAIRS	9
SPECIFICATIONS	9
LIMITED WARRANTY	10
WARRANTY CARD	27

CONTENIDOS

INSTRUCCIONES IMPORTANTES DE SEGURIDAD	11
PRECAUCIONES PERSONALES	11
PREPARACIÓN PARA EL MANTENIMIENTO O CARGA	12
UBICACIÓN DEL TABLERO SOLAR	12
PRECAUCIONES DE CONEXIÓN A CC	12
SIGA ESTOS PASOS CUANDO LA BATERÍA ESTÉ COLOCADA EN EL VEHÍCULO	12
SIGA ESTOS PASOS CUANDO LA BATERÍA SE ENCUENTRE FUERA DEL VEHÍCULO	13
INSTRUCCIONES DE MONTAJE Y ENSAMBLE	14
CARACTERÍSTICAS	14
UTILIZANDO EL CONTROLADOR DE CARGA SOLAR	15
INSTRUCCIONES DE OPERACIÓN	15
INSTRUCCIONES DE MANTENIMIENTO	16
INSTRUCCIONES PARA EL TRASLADO Y ALMACENAMIENTO	17
ANTES DE DEVOLVER A REPARACIONES	17
ESPECIFICACIONES	17
GARANTÍA LIMITADA	18
TARJETA DE GARANTÍA	27

TABLE DES MATIÈRES

CONSIGNES DE SÉCURITÉ IMPORTANTES	19
PRÉCAUTIONS PERSONNELLES.....	19
SE PRÉPARER À CONSERVER OU DE CHARGE	20
EMPLACEMENT DU PANNEAU SOLAIRE	20
PRÉCAUTIONS DE RACCORDEMENT CC.....	20
ÉTAPES À SUIVRE SI LA BATTERIE EST INSTALLÉE DANS LE VÉHICULE	21
ÉTAPES À SUIVRE SI LA BATTERIE EST HORS DU VÉHICULE	21
ASSEMBLAGE ET MONTAGE	22
CARACTÉRISTIQUES	22
UTILISER LE RÉGULATEUR DE CHARGE SOLAIRE.....	23
MODE D'EMPLOI.....	23
ENTRETIEN	24
DÉPLACEMENT ET RANGEMENT	25
SI DES RÉPARATIONS SONT NÉCESSAIRES	25
SPÉCIFICATIONS.....	25
GARANTIE LIMITÉE	26
CARTE DE GARANTIE	28

1. IMPORTANT SAFETY INSTRUCTIONS

SAVE THESE INSTRUCTIONS.

1.1 SAVE THESE INSTRUCTIONS –

This manual contains important safety and operating instructions.

RISK OF ELECTRIC SHOCK OR FIRE.

- 1.2 Keep out of reach of children.
- 1.3 Use only recommended attachments. Use of an attachment not recommended or sold by Schumacher® Electric Corporation may result in a risk of fire, electric shock or injury to persons or damage to property.
- 1.4 To reduce the risk of electric shock, unplug the clips from the solar panel before attempting any maintenance or cleaning.
- 1.5 Do not operate the solar panel if it has received a sharp blow, been dropped or otherwise damaged in any way; take it to a qualified service person.
- 1.6 Do not disassemble the solar panel; take it to a qualified service person when service or repair is required. Incorrect reassembly may result in a risk of fire or electric shock.

RISK OF EXPLOSIVE GASES.

- 1.7 WORKING IN THE VICINITY OF A LEAD-ACID BATTERY IS DANGEROUS. BATTERIES GENERATE EXPLOSIVE GASES DURING NORMAL BATTERY OPERATION. FOR THIS REASON, IT IS OF UTMOST IMPORTANCE THAT YOU FOLLOW THE INSTRUCTIONS EACH TIME YOU USE THE SOLAR PANEL.
- 1.8 To reduce the risk of a battery explosion, follow these instructions and those published by the battery manufacturer and the manufacturer of any equipment you intend to use in the vicinity of the battery. Review the cautionary markings on these products and on the engine.
- 1.9 Locate this solar panel 18 inches (45.72 cm) or more above floor level. Do not place on wet ground, anywhere it could be accidentally stepped on or in a place or position where it could fall while being used.
- 1.10 Pursuant to California Proposition 65, this product contains chemicals known to the State of California to cause cancer and birth defects or other reproductive harm. Wash hands after handling.

2. PERSONAL PRECAUTIONS

RISK OF EXPLOSIVE GASES.

- 2.1 NEVER smoke or allow a spark or flame in the vicinity of a battery or engine.
- 2.2 Remove personal metal items such as rings, bracelets, necklaces and watches when working with a lead-acid battery. A lead-acid battery can produce a short-circuit current high enough to weld a ring or the like to metal, causing a severe burn.
- 2.3 Be extra cautious to reduce the risk of dropping a metal tool onto the battery. It might spark or short-circuit the battery or other electrical part that may cause an explosion.
- 2.4 Use this solar panel for maintaining and charging LEAD-ACID batteries only. It is not intended to supply power to a low voltage electrical system other than in a starter-motor application. Do not use this solar panel for maintaining or charging dry-cell batteries that are commonly used with home appliances. These batteries may burst and cause injury to persons and damage to property.
- 2.5 NEVER maintain or charge a frozen battery.
- 2.6 Consider having someone close enough by to come to your aid when you work near a lead-acid battery.
- 2.7 Have plenty of fresh water and soap nearby in case battery acid contacts your skin, clothing or eyes.
- 2.8 Wear complete eye and body protection, including safety goggles and protective clothing. Avoid touching your eyes while working near the battery.
- 2.9 If battery acid contacts your skin or clothing, immediately wash the area with soap and water. If acid enters your eye, immediately flood the eye with cold running water for at least 10 minutes and get medical attention right away.
- 2.10 If battery acid is accidentally swallowed, drink milk, the whites of eggs or water. DO NOT induce vomiting. Seek medical attention immediately.

3. PREPARING TO MAINTAIN OR CHARGE

RISK OF CONTACT WITH BATTERY ACID. BATTERY ACID IS A HIGHLY CORROSIVE SULFURIC ACID.

- 3.1 If it is necessary to remove the battery from the vehicle to maintain or charge it, always remove the grounded terminal first. Make sure all of the accessories in the vehicle are off to prevent arcing.
- 3.2 Be sure the area around the battery is well ventilated while the battery is being maintained or charged.
- 3.3 Clean the battery terminals before maintaining or charging the battery. During cleaning, keep airborne corrosion from coming into contact with your eyes, nose and mouth. Use baking soda and water to neutralize the battery acid and help eliminate airborne corrosion. Do not touch your eyes, nose or mouth.
- 3.4 Add distilled water to each cell until the battery acid reaches the level specified by the battery manufacturer. Do not overfill. For a battery without removable cell caps, such as valve regulated lead acid batteries (VRLA), carefully follow the manufacturer's recharging instructions.
- 3.5 Read, understand and follow all instructions for the solar panel, battery, vehicle and any equipment used near the battery and solar panel. Study all of the battery manufacturer's specific precautions while in use.
- 3.6 Determine the voltage of the battery by referring to the vehicle owner's manual and make sure that the output voltage of the solar panel is the correct voltage.
- 3.7 Make sure that the solar panel cable clips make tight connections.

4. SOLAR PANEL LOCATION

RISK OF EXPLOSION AND CONTACT WITH BATTERY ACID.

- 4.1 Locate the solar panel as far away from the battery as the DC cables permit.
- 4.2 Never place the solar panel directly above the battery being charged or maintained; gases from the battery will corrode and damage the solar panel.
- 4.3 Do not set the battery on top of the solar panel.
- 4.4 Never allow battery acid to drip onto the solar panel when reading the electrolyte specific gravity or filling the battery.
- 4.5 Do not operate the solar panel in a closed-in area or restrict the ventilation in any way.

5. DC CONNECTION PRECAUTIONS

- 5.1 Never allow the clips to touch each other.
- 5.2 Attach the clips to the battery and chassis, as indicated in sections 6 and 7.

6. FOLLOW THESE STEPS WHEN BATTERY IS INSTALLED IN VEHICLE

A SPARK NEAR THE BATTERY MAY CAUSE A BATTERY EXPLOSION. TO REDUCE THE RISK OF A SPARK NEAR THE BATTERY:

- 6.1 Position the DC cables to reduce the risk of damage by the hood, door and moving or hot engine parts. **NOTE:** If it is necessary to close the hood during the maintaining or charging process, ensure that the hood does not touch the metal part of the battery clips or cut the insulation of the cables.
- 6.2 Stay clear of fan blades, belts, pulleys and other parts that can cause injury.
- 6.3 Check the polarity of the battery posts. The POSITIVE (POS, P, +) battery post usually has a larger diameter than the NEGATIVE (NEG, N, -) post.
- 6.4 Determine which post of the battery is grounded (connected) to the chassis. If the negative post is grounded to the chassis (as in most vehicles), see step 6.5. If the positive post is grounded to the chassis, see step 6.6.
- 6.5 For a negative-grounded vehicle, connect the POSITIVE (RED) clip from the solar panel to the POSITIVE (POS, P, +) ungrounded post of the battery. Connect the NEGATIVE (BLACK) clip to the vehicle chassis or engine block away from the battery. Do not connect the clip to the carburetor, fuel lines or sheet-metal body parts. Connect to a heavy gauge metal part of the frame or engine block.
- 6.6 For a positive-grounded vehicle, connect the NEGATIVE (BLACK) clip from the solar panel to the NEGATIVE (NEG, N, -) ungrounded post of the battery. Connect the POSITIVE (RED) clip to the vehicle chassis or engine block away from the battery. Do not connect the clip to the carburetor, fuel lines or sheet-metal body parts. Connect to a heavy gauge metal part of the frame or engine block.

- 6.7 Using the quick-connect connector, plug the clips into the solar panel.
- 6.8 When disconnecting the solar panel, unplug

the clips from the solar panel, remove the clip from the vehicle chassis, then remove the clip from the battery terminal.

7. FOLLOW THESE STEPS WHEN BATTERY IS OUTSIDE VEHICLE

A SPARK NEAR THE BATTERY MAY CAUSE A BATTERY EXPLOSION. TO REDUCE THE RISK OF A SPARK NEAR THE BATTERY:

- 7.1 Check the polarity of the battery posts. The POSITIVE (POS, P, +) battery post usually has a larger diameter than the NEGATIVE (NEG, N, -) post.
- 7.2 Attach at least a 24-inch (61 cm) long 6-gauge (AWG) (13 mm²) insulated battery cable to the NEGATIVE (NEG, N, -) battery post.
- 7.3 Connect the POSITIVE (RED) solar panel clip to the POSITIVE (POS, P, +) post of the battery.
- 7.4 Position yourself and the free end of the cable you previously attached to the NEGATIVE (NEG, N, -) battery post as far

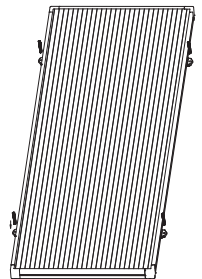
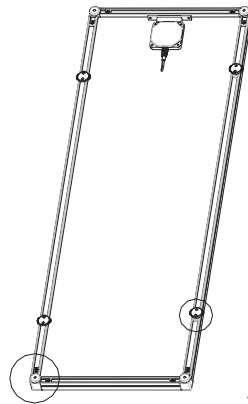
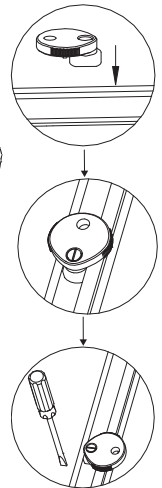
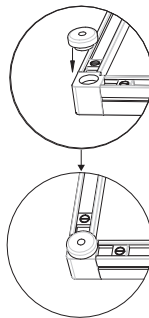
away from the battery as possible – then connect the NEGATIVE (BLACK) solar panel clip to the free end of the cable.

- 7.5 Do not face the battery when making the final connection.
- 7.6 Using the quick-connect connector, plug the clips into the solar panel.
- 7.7 When disconnecting the solar panel, always do so in the reverse order of the connecting procedure and break the first connection while as far away from the battery as practical.
- 7.8 A marine (boat) battery must be removed and maintained or charged on shore. To maintain or charge it onboard requires equipment specially designed for marine use.

8. ASSEMBLY AND MOUNTING INSTRUCTIONS

- 8.1 Remove all cord wraps and uncoil the cables prior to using the solar panel.
- 8.2 The included four foot pads can be mounted to the corners of the solar panel to help increase heat dissipation (see figure 1).
- 8.3 To mount the solar panel (in a dry location off the ground):

1. Place the solar panel face down on a clean flat surface.
2. Place the four plastic mounting brackets in the desired location and rotate each one 90°. Tighten the mounting brackets, using a flat blade screwdriver (see figure 2).
3. Turn the solar panel right side up, and using the mounting brackets as a guide, mark and drill four mounting holes on a secure, flat surface and mount the solar panel with the four stainless steel screws provided.

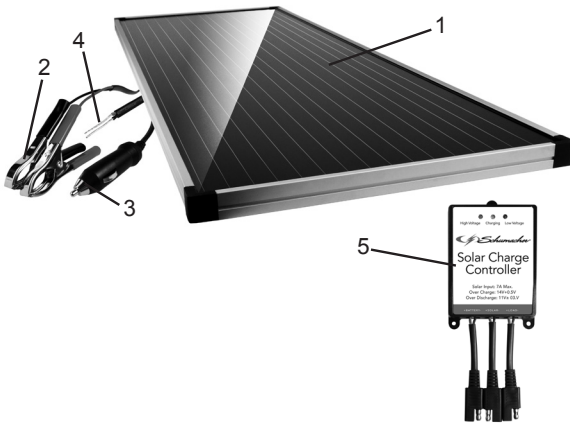


NOTE: Do not over tighten the screws, or you will break the plastic frame of the solar panel.

Fig. 1

Fig. 2

9. FEATURES



1. Solar panel
2. Quick-connect 50 Amp battery clip cable assembly
3. Quick-connect 12V accessory plug cable assembly
4. Tinned wire cable assembly
5. Charge controller
6. Plastic mounting brackets (4) (not shown)
7. Heat-dissipating foot pads (4) (not shown)
8. Mounting screws (4) (not shown)

10. USING THE SOLAR CHARGE CONTROLLER

The solar charge controller or charge regulator is designed to protect batteries from overcharge and excessive discharge when being charged by the solar panel. The controller functions to automatically assure the battery is fully charged and keep the battery fully charged without damages to the battery.

WARNING: Connect and disconnect battery lead only when solar panel and load are disconnected.

- Do not exceed the maximum input ratings.
- Do not misconnect battery, solar panel and load, as this could cause reverse polarity. Avoid contact with water.
- Use only with 12V batteries. Do not connect with damaged batteries.

Follow these instructions:

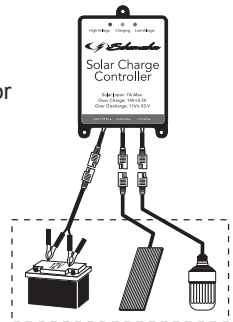
1. Connect the solar panel, 12V rechargeable battery and application (if any), as shown in the illustration. Always connect the battery first.
2. When the solar panel is connected to the solar charge controller, the CHARGING (yellow) LED will light to show that the 12V rechargeable battery is receiving a charge from the solar panel.

NOTE: It is normal for the green and yellow LED to flicker back and forth during normal operation.

The charge controller provides the following protections for the whole system:

- Charging: When the CHARGING (Yellow) LED is lit, the regulator is charging the battery.
- Over-discharge protection: When the LOW VOLTAGE (Red) LED is lit, the charge regulator will shut off the power output to prevent damage to the battery.
- Overcharge protection: When the HIGH VOLTAGE (Green) LED is lit, the regulator will shut off power input from solar panel to the battery.

The solar regulator can be mounted through its three mounting holes.



11. OPERATING INSTRUCTIONS

WARNING: This solar panel must be properly assembled in accordance with the assembly instructions before it is used.

The solar panel does not have an ON/OFF switch. The On and Off commands are controlled by placing the solar panel in the sun only after the battery connections have been made.

You **MUST** disconnect the solar panel from the 12 volt power outlet or battery when starting the engine or driving the vehicle. Electrical surges from the alternator when starting and running may damage the solar panel.

NOTE: The clips and 12V output are always live.

CHARGING AND MAINTAINING A BATTERY

1. Ensure that all of the solar panel components are in place and in good working condition, for example, the plastic boots on the battery clips.
2. Decide whether you are going to use the 12 volt accessory plug or the 50 Amp battery clips to connect the solar panel to the vehicle. Connect the proper cable to the solar panel making sure the connection is secure.
 - If using the 12 volt accessory plug, plug the connector into the vehicle's power outlet making sure the connection is secure.
 - If using the 50 Amp battery clips, connect the battery following the precautions listed in sections 6 and 7.
3. Place the solar panel in the sun. For optimum solar panel output, face the front (glass) side of the solar panel towards the sun, making sure there are no shadows being cast on the panel by the vehicle or other objects. The best orientation to place the solar panel is in a south to north direction with the panel tilted at a suitable angle. The best angle would be the same as your local latitude.
4. To disconnect, reverse the procedure. The Schumacher SP-1500 charges small batteries and maintains large 12 volt batteries, keeping them at full charge. However, if you were to use this unit to *charge* a large battery, you may lose

some of the battery's capacity. This would cause the battery to be unable to hold a charge and become useless.

NOTE: The maintain mode technology allows you to safely maintain a healthy battery for extended periods of time. However, problems with the battery, electrical problems in the vehicle, improper connections or other unanticipated conditions could cause excessive current draws. As such, occasionally monitoring your battery and the maintaining process is recommended.

USING THE QUICK-CONNECT CABLE ASSEMBLIES

Connect either of the two output cable assemblies to the solar panel. Do not place on wet ground, anywhere it could be accidentally stepped on or in a place or position where it could fall while being used. Never use the output cables together or for other applications, as reverse polarity and/or overcharge conditions will occur.

50 AMP BATTERY CLIP CABLE ASSEMBLY

1. Connect the end of the solar charge controller output cable to the end of the 50 amp battery clips cable.
2. Follow the steps in sections 6 and 7 to connect the output clips to the battery.
3. After a good electrical connection is made to the battery, connect the solar panel to the charger controller and place it in the sun, per the instructions in step 4 of the solar panel location section.

12V ACCESSORY PLUG CABLE ASSEMBLY

Maintain or charge your battery without lifting the hood.

1. Connect the end of the 12V accessory plug cable to the solar charge controller.
2. Insert the 12V accessory plug into the 12V accessory outlet.
3. Route the power cord from the solar panel through the vehicle's open window.
4. Place the solar panel in the sun, per the instructions in step 3 of *Operating Instructions*.

12. MAINTENANCE INSTRUCTIONS

- 12.1 After use and before performing maintenance, unplug and disconnect the solar panel (see sections 6, 7 and 8).
- 12.2 Use a dry cloth to wipe all battery corrosion and other dirt or oil from the battery clips, cords and the solar panel.
- 12.3 The solar panel uses a glass substrate; handle with care.
- 12.4 Always keep the glass surface clean using a soft cloth in order to ensure its maximum output.
- 12.5 Ensure that all of the solar panel components are in place and in good working condition, for example, the plastic boots on the battery clips.
- 12.6 Servicing does not require opening the unit, as there are no user-serviceable parts.
- 12.7 All other servicing should be performed by qualified service personnel.

13. MOVING AND STORAGE INSTRUCTIONS

- 13.1 Store the solar panel unplugged, in an upright position.
- 13.2 Store inside, in a cool, dry place.
- 13.3 Do not store the clips clipped together, on or around metal, or clipped to cables.
- 13.4 If the solar panel is moved around the shop or transported to another location, take care to avoid/prevent damage to the cords, clips and solar panel. Failure to do so could result in personal injury or property damage.

14. BEFORE RETURNING FOR REPAIRS

- 14.1 When a maintaining or charging problem arises, make certain that the battery is capable of accepting a normal charge. Double check all connections, the solar panel clips for correct polarity and the quality of the connections from the cables to the clips and from the clips to the battery system. The clips must be clean.
- 14.2 When a battery is very cold, partially charged or sulfated, it will not draw the full rated amperes from the solar panel. It is both dangerous and damaging to a battery to force higher amperage into it than it can effectively use in recharging.
- 14.3 When an UNKNOWN OPERATING PROBLEM arises, please read the complete manual and call the customer service number for information. This will usually eliminate the need for return.

If these solutions do not eliminate the problem, or for more information about troubleshooting, contact customer service for assistance:

services@schumacherelectric.com
www.batterychargers.com
or call 1-800-621-5485
Monday-Friday 7:00AM to 5:00PM CST

For **REPAIR OR RETURN**, contact Customer Service at 1-800-621-5485. **DO NOT SHIP UNIT** until you receive a **RETURN MERCHANDISE AUTHORIZATION (RMA)** number from Customer Service at Schumacher Electric Corporation.

15. SPECIFICATIONS

Peak power output.....	15 Watts
Tested under standard condition.....	AM1.5, 100mW/cm ² , 25°C
Optimum working voltage	17.50 V
Optimum working current.....	850 mA
Operating temperature.....	-40° F–185° F (-40° C–85° C)

16. LIMITED WARRANTY

WARRANTY NOT VALID IN MEXICO.

SCHUMACHER ELECTRIC CORPORATION, 801 BUSINESS CENTER DRIVE, MOUNT PROSPECT, IL 60056-2179, MAKES THIS LIMITED WARRANTY TO THE ORIGINAL RETAIL PURCHASER OF THIS PRODUCT. THIS LIMITED WARRANTY IS NOT TRANSFERABLE OR ASSIGNABLE.

Schumacher Electric Corporation (the "Manufacturer") warrants this solar panel for one (1) year from the date of purchase at retail against defective material or workmanship that may occur under normal use and care. If your unit is not free from defective material or workmanship, Manufacturer's obligation under this warranty is solely to repair or replace your product with a new or reconditioned unit at the option of the Manufacturer. It is the obligation of the purchaser to forward the unit, along with proof of purchase and mailing charges prepaid to the Manufacturer or its authorized representatives in order for repair or replacement to occur.

Manufacturer does not provide any warranty for any accessories used with this product that are not manufactured by Schumacher Electric Corporation and approved for use with this product. This Limited Warranty is void if the product is misused, subjected to careless handling, repaired, or modified by anyone other than Manufacturer or if this unit is resold through an unauthorized retailer.

Manufacturer makes no other warranties, including, but not limited to, express, implied or statutory warranties, including without limitation, any implied warranty of merchantability or implied warranty of fitness for a particular purpose. Further, Manufacturer shall not be liable for any incidental, special or consequential damage claims incurred by purchasers, users or others associated with this product, including, but not limited to, lost profits, revenues, anticipated sales, business opportunities, goodwill, business interruption and any other injury or damage. Any and all such warranties, other than the limited warranty included herein, are hereby expressly disclaimed and excluded. Some states do not allow the exclusion or limitation of incidental or consequential damages or length of implied warranty, so the above limitations or exclusions may not apply to you. This warranty gives you specific legal rights and it is possible you may have other rights which vary from this warranty.

THIS LIMITED WARRANTY IS THE ONLY EXPRESS LIMITED WARRANTY AND THE MANUFACTURER NEITHER ASSUMES OR AUTHORIZES ANYONE TO ASSUME OR MAKE ANY OTHER OBLIGATION TOWARDS THE PRODUCT OTHER THAN THIS WARRANTY.

Schumacher® and the Schumacher logo are registered trademarks of Schumacher Electric Corporation.

1. INSTRUCCIONES IMPORTANTES DE SEGURIDAD

GUARDE ESTAS INSTRUCCIONES.

1.1 GUARDE ESTAS INSTRUCCIONES –

Este manual contiene instrucciones operativas y de seguridad de importancia.

RIESGO DE DESCARGA ELÉCTRICA O INCENDIO.

1.2 Manténgalo alejado de los niños.

1.3 Utilice solamente accesorios recomendados.

El uso de un accesorio no recomendado o suministrado por Schumacher® Electric Corporation puede provocar riesgo de incendio, descarga eléctrica o lesiones a personas o daños a la propiedad.

1.4 Para reducir el riesgo de descarga eléctrica, desenchufe las pinzas del tablero solar antes de intentar llevar a cabo cualquier actividad de mantenimiento o limpieza.

1.5 No utilice el panel solar si este recibió un golpe fuerte, si se cayó o si sufrió daños de cualquier tipo. Hágalo revisar por una persona capacitada que efectúe reparaciones.

1.6 No desarme el tablero solar; hágalo revisar por una persona apacitada que efectúe reparaciones cuando necesite efectuar algún servicio de mantenimiento o una reparación. Si vuelve a ensamblar el panel solar en forma incorrecta puede provocar riesgo de incendio o descarga eléctrica.

RIESGO DE GASES EXPLOSIVOS.

1.7 TRABAJAR CERCA DE A UNA BATERÍA DE PLOMO ES PELIGROSO. LAS BATERÍAS GENERAN GASES EXPLOSIVOS DURANTE SU FUNCIONAMIENTO NORMAL. POR ESTE MOTIVO, ES DE SUMA IMPORTANCIA QUE SIGA LAS INSTRUCCIONES CADA VEZ QUE UTILIZA EL TABLERO SOLAR.

1.8 Para reducir el riesgo de explosión de una batería, siga estas instruccione y aquellas publicadas por el fabricante de la batería y por el fabricante de cualquier equipo que intente utilizar cerca de la batería. Revise las pautas de precaución en estos productos y en el motor.

1.9 Utilice el panel solar a 18 pulgadas (45,72 cm) o más del nivel del suelo. No lo coloque sobre superficies mojadas, en lugares donde se lo podría pisar accidentalmente ni en un lugar de donde se podría caer mientras se utiliza.

1.10 Conforme a la propuesta 65 de California, este producto contiene químicos de los cuales en el Estado de California tiene conocimiento que provocan cáncer y malformaciones congénitas u otras lesiones reproductivas. Lávese las manos después de usar.

2. PRECAUCIONES PERSONALES

RIESGO DE GASES EXPLOSIVOS.

2.1 NUNCA fume ni permita la presencia de chispas o llamas cerca de una batería o un motor.

2.2 No utilice elementos personales de metal tales como anillos, pulseras, collares y relojes al trabajar con una batería de plomo-ácido. Una batería de plomo ácido puede producir una corriente elevada como para soldar un anillo o provocar efectos similares sobre el metal, causando una quemadura de gravedad.

2.3 Tenga especial cuidado para reducir el riesgo de dejar caer una herramienta de metal sobre la batería. Esto podría provocar chispas o un cortocircuito en la batería o en cualquier otra pieza eléctrica que podría provocar una explosión.

2.4 Utilice este tablero solar solamente para mantener baterías de PLOMO-ÁCIDO. Este tablero solar no está destinado a suministrar energía a sistemas eléctricos de baja tensión que no sea un motor de arranque. No utilice este tablero solar para mantener baterías de pila seca que por lo general se utilizan con artefactos domésticos.

Estas baterías podrían explotar y provocar lesiones a personas o daños a la propiedad.

2.5 NUNCA mantener o carga una batería congelada.

2.6 Considere tener a alguna persona cerca suyo que pueda ayudarlo cuando trabaje cerca de una batería de plomo-ácido.

2.7 Cuenté con una gran cantidad de agua potable y jabón a mano en caso de que el ácido de la batería entre en contacto con la piel, la ropa o los ojos.

2.8 Utilice protección visual y corporal completa, incluso gafas de seguridad y prendas de protección. Evite tocarse los ojos mientras trabaje cerca de la batería.

2.9 Si el ácido de la batería entra en contacto con la piel o la ropa, lave de inmediato el área afectada con agua y jabón. En caso de que ingrese ácido en los ojos, lávelos de inmediato con agua corriente fría durante al menos 10 minutos y busque atención médica en forma urgente.

2.10 Si el ácido de la batería se ingiere de manera accidental, se recomienda beber leche, clara de huevo o agua. NO se provoque el vómito. Busque ayuda médica de inmediato.

3. PREPARACIÓN PARA EL MANTENIMIENTO O CARGA

RIESGO DE CONTACTO CON EL ÁCIDO DE LA BATERÍA. EL ÁCIDO DE LA BATERÍA ES ÁCIDO SULFÚRICO ALTAMENTE CORROSIVO.

- 3.1 Si es necesario quitar la batería del vehículo para mantenerla o cargarla, siempre quite la terminal a tierra primero. Asegúrese de que todos los accesorios en el vehículo se apaguen para evitar chispas.
- 3.2 Asegúrese de que el área alrededor de la batería esté bien ventilada mientras la batería se mantiene o se cargue.
- 3.3 Limpie las terminales de la batería antes de mantener o cargar la batería. Durante la limpieza, que la corrosión en el aire no entre en contacto con los ojos, la nariz o la boca. Use bicarbonato de sodio y agua para neutralizar el ácido de la batería para prevenir corrosión en el aire. No se toque los ojos, la nariz o la boca.
- 3.4 Agregue agua destilada a cada pila hasta que el ácido de la batería alcance el nivel especificado por el fabricante. No provoque derrames. En lo que concierne a baterías que no cuentan con tapas extraíbles para pilas, como baterías de plomo-ácido reguladas por válvulas (VRLA, por sus siglas en inglés), siga cuidadosamente las instrucciones de recarga del fabricante.
- 3.5 Lea, comprenda y siga todas las instrucciones para el tablero solar, la batería, el vehículo y cualquier equipo que se utilice cerca de la batería y el panel solar. Controle todas las precauciones específicas establecidas por el fabricante de la batería al realizar la carga.
- 3.6 Determine la tensión de la batería consultando el manual del usuario del vehículo y asegúrese de que la tensión de salida del tablero solar se encuentre en la tensión correcta.
- 3.7 Asegúrese de que las pinzas del cable del tablero solar se encuentren fuertemente conectados.

4. UBICACIÓN DEL TABLERO SOLAR

RIESGO DE CONTACTO CON EL ÁCIDO DE LA BATERÍA.

- 4.1 Ubique el tablero solar a la mayor distancia posible de la batería como lo permitan los cables de CC.
- 4.2 Nunca ubique el tablero solar directamente sobre la batería que se carga. Los gases de la batería corroerán y dañarán el tablero solar.
- 4.3 No ubique la batería sobre el panel solar.
- 4.4 Nunca permita que el ácido de la batería gotee sobre el panel solar cuando lea el peso específico del electrolito o cuando realice el mantenimiento de la batería.
- 4.5 No utilice el panel solar en un área cerrada ni restrinja la ventilación en cualquier forma.

5. PRECAUCIONES DE CONEXIÓN A CC

- 5.1 Nunca permita que las pinzas entre en contacto entre sí.
- 5.2 Sujete las pinzas a la batería y al chasis como se indica en las secciones 6 y 7.

6. SIGA ESTOS PASOS CUANDO LA BATERÍA ESTÉ COLOCADA EN EL VEHÍCULO

UNA CHISPA PROVOCADA CERCA DE LA BATERÍA PUEDE CAUSAR LA EXPLOSIÓN DE LA BATERÍA. PARA REDUCIR EL RIESGO DE PROVOCAR CHISPAS CERCA DE LA BATERÍA:

- 6.1 Posicione bien los cables de CC para reducir el riesgo de daños por el cofre, puertas y partes móviles o calientes del motor o en movimiento. NOTA: Si es necesario cerrar el cofre durante el proceso de mantenimiento o de carga, asegúrese de que el cofre no rose o toque la parte metálica de los clips de la batería o corte el aislamiento de los cables.
- 6.2 Manténgase alejado de las paletas del ventilador, de las correas, poleas y otras piezas que podrían provocar lesiones.
- 6.3 Verifique la polaridad de los bornes de la batería. El borne POSITIVO (POS, P, +) de la batería generalmente posee un diámetro mayor al borne NEGATIVO (NEG, N, -).
- 6.4 Determine qué borne de la batería hace descarga a tierra (se encuentra conectado) con el chasis. Si el borne negativo hace descarga a tierra con el chasis (como en la mayoría de los vehículos), vea el paso 6.5. Si el borne positivo hace descarga a tierra con el chasis, vea el paso 6.6.

- 6.5** En un vehículo con descarga a tierra por borne negativo, conecte la pinza POSITIVA (ROJA) del tablero solar al borne POSITIVO (POS, P, +) sin descarga a tierra de la batería. Conecte la pinza NEGATIVA (NEGRA) al chasis del vehículo o al bloque motor alejado de la batería. No conecte la pinza al carburador, a líneas de combustible ni a cuerpos metálicos. Conéctela a una pieza metálica gruesa de la carrocería o del bloque motor.
- 6.6** En un vehículo con descarga a tierra por borne positivo, conecte la pinza NEGATIVA (NEGRA) del panel solar al borne NEGATIVO (NEG, N, -) sin descarga a tierra de la batería. Conecte la pinza POSITIVA (ROJA) al chasis del vehículo o al bloque motor alejado de la batería. No conecte al carburador, a líneas de combustible ni a cuerpos metálicos. Conéctela a una pieza metálica gruesa de la carrocería o del bloque motor.
- 6.7** Con el conector de conexión rápida, conecte las pinzas en el tablero solar.
- 6.8** Al desconectar el tablero solar, desconecte las pinzas del panel solar, retire la pinza del chasis del vehículo y luego retire la pinza del terminal de la batería.

7. SIGA ESTOS PASOS CUANDO LA BATERÍA SE ENCUENTRE FUERA DEL VEHÍCULO

UNA CHISPA PROVOCADA CERCA DE LA BATERÍA PUEDE CAUSAR LA EXPLOSIÓN DE LA BATERÍA. PARA REDUCIR EL RIESGO DE PROVOCAR CHISPAS CERCA DE LA BATERÍA:

- 7.1** Verifique la polaridad de los bornes de la batería. El borne POSITIVO (POS, P, +) de la batería generalmente posee un diámetro mayor al borne NEGATIVO (NEG, N, -).
- 7.2** Sujete al menos un cable aislado de batería de 24 pulgadas (61 cm) de largo calibre 6 (AWG) (13 mm²) al borne NEGATIVO (NEG, N, -) de la batería.
- 7.3** Conecte la pinza POSITIVA (ROJA) del tablero solar al borne POSITIVO (POS, P, +) de la batería.
- 7.4** Ubíquese junto al extremo libre del cable que previamente sujetó al borne NEGATIVO (NEG, N, -) de la batería a la mayor distancia posible de la batería.
- Luego conecte la pinza NEGATIVA (NEGRA) del tablero solar al extremo libre del cable.
- 7.5** No se ubique en posición frontal a la batería al realizar la conexión final.
- 7.6** Con el conector de conexión rápida conecte las pinzas en el tablero solar.
- 7.7** Al desconectar el tablero solar, siempre hágalo en forma inversa al procedimiento de conexión y realice la primera conexión tan lejos de la batería como sea posible.
- 7.8** Una batería marina (de barco) se debe quitar para mantener cargada fuera. Para mantener o cargarla a bordo requiere de un equipo especialmente diseñado para uso marino.

8. INSTRUCCIONES DE MONTAJE Y ENSAMBLE

- 8.1 Desenrede todos los cordones y extienda los cables antes de usar el tablero solar.
- 8.2 Los cuatro cojines de patas se pueden instalar en las esquinas del tablero solar para ayudar a aumentar la disipación de calor (ver figura 1)
- 8.3 Para montar el tablero solar (en un lugar seco que no toque tierra):
 1. Coloque el tablero solar boca abajo sobre una superficie plana y limpia.
 2. Coloque los cuatro soportes de montaje de plástico en el lugar deseado y gírelos a 90°. Apriete los soportes de montaje con un desarmador de punta plana (ver figura 2).
 3. Gire el lado lateral derecho del tablero solar, y, utilizando los soportes de montaje como guía, marque y taladre cuatro agujeros de montaje en una superficie plana y segura, después monte el tablero solar con los cuatro tornillos de acero inoxidable incluidos en el paquete.

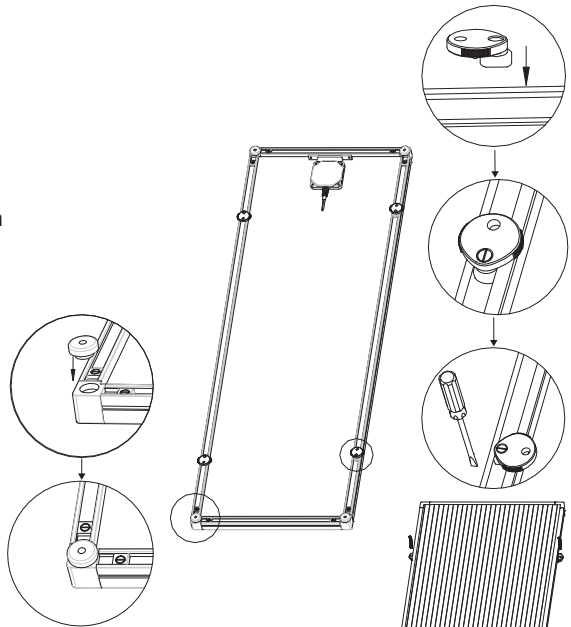
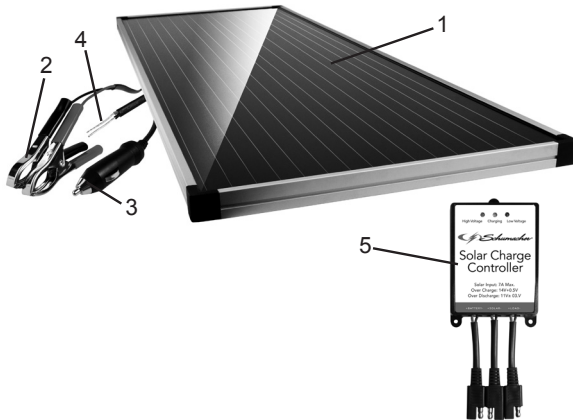


Fig. 1

Fig. 2

NOTA: No ajuste demasiado los tornillos ya que podría quebrar el marco del tablero solar.

9. CARACTERÍSTICAS



1. Panel solar
2. Conexión rápida de la batería 50 amperios de ensamble de cable
3. Conexión rápida 12V accesorios enchufe del cable de la Asamblea
4. Cables de alambre forrado para ensamble
5. Controlador de carga
6. Soportes para montaje de plástico (4) (no se muestra)
7. Cojines de Pie para disipación del calor (4) (no se muestra)
8. Tornillos para ensamblaje (4) (no se muestra)

10. UTILIZANDO EL CONTROLADOR DE CARGA SOLAR

El controlador de carga solar o regulador de carga está diseñado para proteger las baterías de sobrecargas y descargas excesivas al momento de ser cargadas por el tablero solar. El controlador de funciones asegura automáticamente que la batería esté totalmente cargada y mantiene la batería totalmente cargada, sin dañarla.

ADVERTENCIA: Conecte y desconecte el cable de la batería sólo cuando el tablero solar y la carga estén desconectados.

- No exceda el nivel máximo de entrada
- No mal conecte la batería, el panel y la carga, ya que podría provocar la inversión de polaridad. Evite el contacto con el agua.
- Uselo sólo con baterías de 12 V. No conecte baterías dañadas.

Siga las siguientes instrucciones:

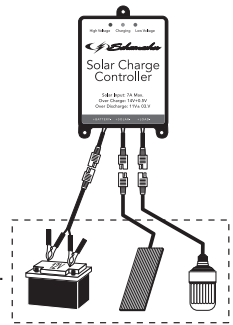
1. Conecte el tablero solar, batería recargable de 12V y el otro aparato (si existe), como se muestra en la ilustración. Siempre conecte la batería primeramente.
2. Cuando el tablero solar se conecta el controlador de carga solar, la luz LED de CARGANDO (amarilla) se encenderá, para mostrar que la batería recargable de 12V está recibiendo una carga del tablero solar.

NOTA: es normal que las luces LED verde y amarilla parpadéen durante la operación normal.

El controlador de carga proporciona las siguientes protecciones para todo el sistema:

- Cargando: Cuando se esté realizando la carga, la luz LED (Amarilla) estará encendida, el regulador está cargando la batería.
- Protección en el exceso de descarga: Cuando la BAJA TENSION, luz LED (Roja) está encendida, el regulador de carga bloqueará la salida de corriente para evitar daños a la batería.
- Protección de sobrecarga: Cuando el ALTO VOLTAJE, luz LED (Verde) está encendida, el regulador de carga bloqueará la de entrada desde el tablero solar a la batería.

El regulador solar se puede montar a través de sus tres orificios de montaje.



11. INSTRUCCIONES DE OPERACIÓN

ADVERTENCIA: Antes de utilizar este tablero solar, debe ensamblarlo correctamente de acuerdo con las instrucciones.

El panel solar carece de interruptor para ENCENDIDO Y APAGADO. Los comandos para encendido y apagado se controlan colocando el tablero solar al sol sólo después de que las conexiones de la batería se hayan realizado.

DEBE desconectar el tablero solar del tomacorriente de 12V o de la batería mientras conduce el vehículo o arranca el motor. Una sobrecarga del alternador podría dañar el panel solar mientras se arranca o maneja el vehículo.

NOTA: Las pinzas y el enchufe de salida de 12V tienen corriente.

MANTENIENDO Y CARGANDO UNA BATERÍA

1. Asegúrese de que todas las piezas del tablero solar estén bien instaladas y en buenas condiciones para funcionar. Por ejemplo, asegúrese de que las botas de plástico son los ganchos de la batería.
 2. Decida si va a utilizar el enchufe de 12 voltios o las pinzas de la batería de 50 Amps., para conectar el controlador solar al vehículo. Conecte el cable adecuado al controlador solar, asegurándose de que la conexión esté segura.
- Si usa el enchufe de 12 voltios de accesorios, enchufe el conector en el encendedor del vehículo asegurándose de que la conexión esté firme.
 - Si se utiliza el 50 clips amperios de la batería, conecte la batería teniendo en cuenta las precauciones que figuran en las secciones 6 y 7.

3. Coloque el tablero solar en el sol. Para que la salida del mantenedor solar de baterías sea óptima, coloque el frente (vidrio) del panel solar hacia el sol, cerciorándose de que no haya sombras originadas por el vehículo ni otros objetos sobre el panel. La mejor orientación para colocar el panel solar es en dirección sur-norte con el panel inclinado a un ángulo conveniente. El mejor ángulo sería igual que la latitud local.
4. Para desconectar el tablero solar, proceda en forma inversa.

El modelo Schumacher SP-1500 carga baterías pequeñas y mantiene baterías de 12 volts., manteniéndolas en completa carga. De modo que, si usted desea *cargar* una batería más grande, esta perderá algo de su capacidad. Esto originará que la batería no mantenga la carga y sea inservible.

NOTA: El modo de mantenimiento es una tecnología que le permite mantener de manera segura una batería que funcione correctamente durante períodos de tiempo prolongados. Sin embargo, problemas con la batería, problemas eléctricos del vehículo, conexiones equivocadas y otras condiciones que podrían surgir, pueden llegar a causar absorción de corriente excesiva. De modo que se recomienda enérgicamente supervisar la batería y el proceso de carga.

USO DE LA CONEXIÓN RÁPIDA MONTAJES DE CABLE

Conectar cualquiera de los dos conjuntos de cables de salida al controlador de carga

solar. No coloque el regulador solar en la tierra húmeda, en lugares donde se lo podría pisar accidentalmente ni en un lugar de donde se podría caer mientras se utiliza. Nunca junta los cables ni los use para otros propósitos, esto ocasionará polaridad invertida o sobrecarga.

50 AMPERIOS DE LA BATERÍA CLIP DE ENSAMBLAJE DE CABLES

1. Conecte la punta del cable de salida del tablero solar de baterías a la punta del cable con pinzas de la batería de 50 amperes.
2. Siga los pasos descritos en las secciones 6 y 7 para hacer la conexión a las pinzas de la batería.
3. Después de hacer una buena conexión eléctrica a la batería, coloque el tablero solar en el sol, por las instrucciones del paso 4 de la sección para la ubicación del tablero solar.

12V ACCESORIOS ENCHUFE DEL CABLE DE LA ASAMBLEA

Para mantener o cargar la batería sin necesidad de levantar el cofre.

1. Conecte el extremo del cable del enchufe de 12 Volts del accesorio al controlador de carga solar.
2. Inserte el enchufe accesorio de 12V a la salida de 12V.
3. Introduzca el cable de corriente del tablero solar por la ventanilla abierta del vehículo.
4. Exponga el tablero solar directo al sol, de acuerdo con las instrucciones que figuran en el paso 3 de la sección *Instrucciones de Operación*.

12. INSTRUCCIONES DE MANTENIMIENTO

- 12.1 Desenchufe y desconecte el tablero solar después de usarlo y antes de realizar el mantenimiento (vea las secciones 6, 7 y 8).
- 12.2 Utilice un paño seco para limpiar la corrosión de la batería y cualquier suciedad o aceite de las pinzas de la batería, los cables y el panel solar.
- 12.3 El tablero solar usa un sustrato de vidrio; manéjelo con cuidado.
- 12.4 Mantenga la superficie del vidrio limpia, utilizando un paño suave para asegurar un rendimiento máximo.
- 12.5 Asegúrese de que todas las piezas del tablero solar estén bien instaladas y en buenas condiciones para funcionar, por ejemplo, los protectores de plástico de las pinzas de la batería.
- 12.6 Para realizar mantenimiento no es necesario abrir la unidad, ya que no existen piezas a las cuales puede realizarle mantenimiento el usuario.
- 12.7 Cualquier otro servicio debe realizarse por personal calificado.

13. INSTRUCCIONES PARA EL TRASLADO Y ALMACENAMIENTO

- 13.1** Guarde el tablero solar desenchufado en posición vertical.
- 13.2** Almacénelo en el interior, en un lugar fresco y seco.
- 13.3** No guarde las pinzas entrelazadas entre sí, sobre metales o cerca de ellos, ni enganchadas a cables.
- 13.4** Si el tablero solar se mueve a otro sitio del taller o se transporta a otro lugar, trate de evitar o prevenir que los cables, las pinzas y el tablero solar sufran daños. Si ignora estas recomendaciones podría sufrir lesiones personales o causar daños en la propiedad.

14. ANTES DE DEVOLVER A REPARACIONES

- 14.1** Cuando un problema de mantenimiento o carga surge, asegúrese de que la batería es capaz de aceptar una carga normal. Revise doblemente todas las conexiones, las pinzas del tablero solar para asegurar la polaridad y la calidad de las conexiones de los cables a las pinzas y de las pinzas de la batería del sistema. Las pinzas deben estar limpias.
- 14.2** Cuando la batería está muy fría, parcialmente cargada o sulfatada no obtendrá todo el índice de amperes del tablero solar. Es peligroso y perjudicial para la batería forzar un amperaje mayor al que puede utilizar efectivamente en una recarga.
- 14.3** Cuando surja un PROBLEMA DE FUNCIONAMIENTO DESCONOCIDO, lea todo el manual y comuníquese con el número de atención al cliente para recibir más información, que generalmente eliminará la necesidad de devolución.

Si estas soluciones no eliminan el problema o si desea obtener más información sobre la solución de problemas, póngase en contacto con el departamento de servicio al cliente para recibir asistencia:

services@schumacherelectric.com
www.batterychargers.com
o llame 1-800-621-5485
Lunes-viernes 7:00AM to 5:00PM CST

Para **REPARACIÓN O DEVOLUCIÓN**, comuníquese con Servicios al Cliente al 1-800-621-5485. **NO ENVÍE LA UNIDAD** hasta que usted reciba **AUTORIZACIÓN DE DEVOLUCIÓN DE MERCANCÍA (RMA)** de Servicios al Cliente de Schumacher Electric Corporation.

15. ESPECIFICACIONES

Salida máxima de energía	15 W
Probado en condición normal	AM1,5; 100mW/cm ² , 25°C
Tensión óptima de funcionamiento	17,50 V
Corriente óptima de funcionamiento	850 mA
Temperatura de funcionamiento	-40 ° F–185 ° F (-40 ° C–85 ° C)

16. GARANTÍA LIMITADA

GARANTÍA NO VÁLIDA EN MÉXICO.

SCHUMACHER ELECTRIC CORPORATION, 801 BUSINESS CENTER DRIVE, MOUNT PROSPECT, IL 60056-2179, OTORGA LA PRESENTE GARANTÍA LIMITADA AL COMPRADOR MINORISTA ORIGINAL DE ESTE PRODUCTO. LA PRESENTE GARANTÍA LIMITADA NO PUEDE TRANSFERIRSE NI CEDERSE.

Schumacher Electric Corporation (el "Fabricante") otorga garantía por este tablero solar, por un plazo de un (1) año a partir de la fecha de compra al por menor, por cualquier defecto de material o de mano de obra que pudieran surgir por su uso y cuidado normal. Si su unidad tiene defectos de material o de mano de obra, el Fabricante tendrá la obligación de reparar o sustituir el producto por uno nuevo o por una unidad reparada (a elección del fabricante), conforme a la presente garantía. Es la obligación del comprador enviar la unidad con comprobante de compra y los gastos de envío prepagos al Fabricante o a sus representantes autorizados para que estos reparen o reemplacen el producto.

El Fabricante no otorga garantía por los accesorios utilizados con este producto que no sean los fabricados por Schumacher Electric Corporation y que no estén aprobados para su uso con este producto. La presente Garantía Limitada será nula si el producto se utiliza en forma errónea, se trata de manera inadecuada, es reparado o modificado por personas que no sean el Fabricante o si esta unidad es revendida a través de un vendedor minorista no autorizado.

El Fabricante no otorga ninguna otra garantía, incluidas, a título enunciativo, las garantías expresas, implícitas o legales, incluyendo, a modo de ejemplo, las garantías implícitas de comerciabilidad o adecuación a un fin específico. Asimismo, el Fabricante no será responsable ante reclamos por daños accidentales, especiales ni directos en los que incurran los compradores, usuarios u otras personas asociadas al producto, incluidos, a título enunciativo, reclamos por ingresos y ganancias no percibidos, ventas anticipadas, oportunidades comerciales, fondo de comercio, la interrupción de la actividad comercial o cualquier otro daño que haya provocado. Todas las garantías, excepto la garantía limitada incluida en el presente documento quedan expresamente anuladas y excluidas. Algunos estados no permiten la exclusión ni la limitación de los daños accidentales ni directos o el plazo de garantía implícita, por lo que las limitaciones o exclusiones mencionadas anteriormente podrían no corresponder con su caso. La presente garantía le otorga derechos legales específicos y es probable que usted cuente con otros derechos que podrían diferir de los incluidos en la presente garantía.

LA PRESENTE GARANTÍA LIMITADA ES LA ÚNICA GARANTÍA LIMITADA EXPRESA Y EL FABRICANTE NO ASUME NI AUTORIZA A NADIE A ASUMIR O A ADQUIRIR NINGUNA OTRA OBLIGACIÓN RESPECTO DEL PRODUCTO QUE NO SEA LA PRESENTE GARANTÍA.

Schumacher® y el logo Schumacher son marcas registradas de Schumacher Electric Corporation.

1. CONSIGNES DE SÉCURITÉ IMPORTANTES

CONSERVER CES INSTRUCTIONS.

1.1 CONSERVER CES INSTRUCTIONS –

Ce manuel contient des instructions importantes concernant la sécurité et le fonctionnement.

RISQUE D'ÉLECTROCUTION OU D'INCENDIE.

1.2 Garder hors de la portée des enfants.

1.3 Utiliser uniquement avec les accessoires recommandés. L'utilisation d'un accessoire non recommandé ou pas fourni par Schumacher® Electric Corporation peut poser un risque d'incendie, d'électrocution, de blessures corporelles ou de dommages matériels.

1.4 Afin de réduire le risque d'électrocution, débrancher les pinces du panneau solaire avant d'entreprendre toute tâche d'entretien ou de nettoyage.

1.5 Ne pas utiliser le panneau solaire s'il a subi un choc important, s'il est tombé ou s'il est endommagé d'une manière quelconque; l'apporter à un technicien qualifié.

1.6 Ne pas désassembler le panneau solaire; l'apporter à un technicien qualifié si de l'entretien ou des réparations sont nécessaires. L'assemblage incorrect peut poser un risque d'incendie ou d'électrocution.

RISQUE DE GAZ EXPLOSIFS

1.7 LE TRAVAIL À PROXIMITÉ D'UNE BATTERIE PLOMB-ACIDE EST DANGEREUX. CES BATTERIES PRODUISENT DES GAZ EXPLOSIFS DURANT LEUR FONCTIONNEMENT NORMAL. POUR CETTE RAISON, IL EST EXTRÊMEMENT IMPORTANT D'OBSERVER LES DIRECTIVES POUR TOUTE UTILISATION DU PANNEAU SOLAIRE.

1.8 Afin de réduire le risque d'explosion de la batterie, observer ces directives et celles publiées par les fabricants de la batterie et de tout matériel qui sera utilisé à proximité de la batterie. Consulter les avertissements sur ces produits et sur le moteur.

1.9 Placer le panneau solaire à au moins 18 po (46 cm) du sol. Ne pas le placer sur le sol mouillé, à un endroit où l'on pourrait marcher dessus accidentellement ni dans un endroit ou une position d'où il pourrait tomber durant l'utilisation.

1.10 Conformément au règlement de California Proposition 65, ce produit contient des produits chimiques reconnus par l'État de la Californie comme étant une cause de cancer, de déficience de naissance ou d'autres troubles reproductifs. Laver les mains après manipulation.

2. PRÉCAUTIONS PERSONNELLES

RISQUE DE GAZ EXPLOSIFS.

2.1 NE JAMAIS fumer ou permettre la présence d'étincelles ou de flammes à proximité d'une batterie ou d'un moteur.

2.2 Enlever tout objet métallique tel que des bagues, des bracelets, des colliers et des montres lors du travail sur une batterie plomb-acide. Une batterie plomb-acide peut produire un court-circuit suffisant pour souder une bague ou autre bijou à une pièce métallique et causer des brûlures graves.

2.3 Faire preuve d'une prudence extrême afin de réduire le risque de laisser tomber un outil métallique sur la batterie. Cela pourrait causer de l'étincelage ou court-circuiter la batterie ou d'autres composants électriques et causer une explosion.

2.4 Utiliser ce dispositif d'entretien de batterie solaire seulement sur des batteries PLOMB-ACIDE. Il n'est pas conçu pour alimenter un système électrique à basse

tension autre qu'un démarreur. Ne pas utiliser ce panneau solaire pour l'entretien de piles sèches qui sont couramment utilisées dans des appareils domestiques. Ces batteries peuvent exploser et causer des blessures corporelles ou des dommages matériels.

2.5 NE JAMAIS maintenir ou charge une batterie gelée.

2.6 Il est préférable d'avoir une personne qui puisse facilement venir à son secours lorsque l'on travaille à proximité d'une batterie plomb-acide.

2.7 Avoir à portée de la main une quantité abondante d'eau et de savon en cas de contact de l'acide de la batterie avec la peau, les yeux ou les vêtements.

2.8 Porter une protection complète pour les yeux et le corps, y compris des lunettes de sécurité et des vêtements protecteurs. Éviter de se toucher les yeux alors qu'on travaille à proximité de la batterie.

2.9 Si l'acide de la batterie entre en contact avec la peau ou les vêtements, laver immédiatement la zone à l'eau et au savon. Si l'acide pénètre dans un œil, immédiatement rincer à grande eau avec de l'eau froide pendant au moins 10

minutes et obtenir immédiatement des soins médicaux.

2.10 Si de l'acide de batterie est ingéré accidentellement, boire du lait, des blancs d'œufs ou de l'eau. NE PAS faire vomir. Obtenir immédiatement des soins médicaux.

3. SE PRÉPARER À CONSERVER OU DE CHARGE

RISQUE DE CONTACT AVEC DE L'ACIDE DE BATTERIE. L'ACIDE DE BATTERIE EST UN ACIDE SULFURIQUE TRÈS CORROSIF.

3.1 S'il est nécessaire d'enlever la batterie du véhicule pour maintenir ou de charge, retirez toujours la borne terre en premier. Assurez-vous que tous les accessoires du véhicule sont éteints pour éviter un arc électrique.

3.2 Soyez sûr la zone autour la batterie est bien ventilé tandis la batterie est maintenue ou facturés.

3.3 Nettoyez les terminaux batterie avant maintenir ou charger la batterie. Pendant le nettoyage, gardez la corrosion aéroportée d'entrer en contact avec vos yeux, le nez et la bouche. Utilisez bicarbonate et eau pour neutraliser l'acide batterie et aidera éliminer la corrosion aéroportés. Ne touchez pas vos yeux, votre nez ou votre bouche.

3.4 Ajouter de l'eau distillée à chaque cellule jusqu'à ce que l'acide de la batterie atteigne le niveau prescrit par le fabricant. Ne pas trop remplir. Si la batterie n'est pas munie de bouchons amovibles, tel que les batteries plomb-acide à régulation par soupape, observer attentivement les instructions de recharge du fabricant.

3.5 Lire, comprendre et suivre toutes les instructions pour le panneau, batterie solaire, des véhicules et des équipements utilisés à proximité du panneau de la batterie et de solaire. Étudier toutes les précautions spécifiques du fabricant de batteries en cours d'utilisation.

3.6 Déterminer la tension de la batterie en consultant le manuel du propriétaire du véhicule et veiller à ce que la tension de sortie du panneau solaire soit la bonne.

3.7 S'assurer que les pinces des câbles du panneau solaire établissent une connexion solide.

4. EMBLACEMENT DU PANNEAU SOLAIRE

RISQUE D'EXPLOSION ET DE CONTACT AVEC L'ACIDE DE LA BATTERIE.

4.1 Placer le panneau solaire aussi loin de la batterie que le permet le câble CC.

4.2 Ne jamais placer le panneau solaire directement au-dessus de la batterie ; les gaz corrosifs de la batterie causeront des dommages au dispositif d'entretien de batterie solaire.

4.3 Ne pas poser la batterie sur le panneau solaire.

4.4 Ne jamais laisser de l'acide de batterie dégoutter sur le panneau solaire durant la mesure de la densité de l'électrolyte ou de l'appoint de la batterie.

4.5 Ne pas utiliser le panneau solaire dans un espace clos ou limiter l'aération de quelque façon que ce soit.

5. PRÉCAUTIONS DE RACCORDEMENT CC

5.1 Ne jamais laisser les pinces se toucher.

5.2 Brancher les pinces à la batterie et au châssis comme indiqué aux sections 6 et 7.

6. ÉTAPES À SUIVRE SI LA BATTERIE EST INSTALLÉE DANS LE VÉHICULE

UNE ÉTINCELLE PRÈS DE LA BATTERIE PEUT CAUSER UNE EXPLOSION. POUR RÉDUIRE LE RISQUE D'ÉTINCELLES PRÈS DE LA BATTERIE :

- 6.1 Met un câbles CC pour réduire le risque de dommages par la hotte, porte et pièces moteur chauds ou mobiles. **REMARQUE:** Si il est nécessaire de fermer le capot pendant le processus de maintien ou de charge, s'assurer que le capot ne touche pas la partie métallique des clips de la batterie ou couper l'isolation des câbles.
- 6.2 Rester à l'écart des pales de ventilateur, des poulies et d'autres pièces qui peuvent causer des blessures.
- 6.3 Vérifier la polarité des bornes de la batterie. La borne POSITIVE (POS, P, +) de la batterie est habituellement d'un diamètre supérieur à la borne NÉGATIVE (NEG, N, -).
- 6.4 Déterminer quelle borne de la batterie est mise à la terre (branchée) au châssis. Si la borne négative est mise à la masse au châssis (comme dans le cas de la majorité des véhicules), consulter l'étape 6.5. Si la borne positive est mise à la masse au châssis, consulter l'étape 6.6.
- 6.5 Pour un véhicule avec mise à la masse négative, brancher la pince POSITIVE (ROUGE) du panneau solaire à la borne POSITIVE (POS, P, +) non mise à la terre de la batterie. Brancher la pince NÉGATIVE (NOIRE) au châssis du véhicule ou du bloc-moteur, pas sur la batterie. Ne pas brancher la pince au carburateur, aux canalisations de carburant ou à des pièces de carrosserie métalliques. La brancher à une pièce métallique épaisse du cadre ou du bloc-moteur.
- 6.6 Pour un véhicule avec mise à la masse positive, brancher la pince NÉGATIVE (NOIRE) du panneau solaire à la borne NÉGATIVE (NEG, N, -) non mise à la masse de la batterie. Brancher la pince POSITIVE (ROUGE) au châssis du véhicule ou du bloc-moteur, pas sur la batterie. Ne pas brancher la pince au carburateur, aux canalisations de carburant ou à des pièces de carrosserie métalliques. La brancher à une pièce métallique épaisse du cadre ou du bloc-moteur.
- 6.7 Au moyen du branchement rapide, brancher les pinces au panneau solaire.
- 6.8 Pour débrancher le panneau solaire, débrancher les pinces du panneau solaire, débrancher la pince du châssis du véhicule, puis enlever la pince de la borne de la batterie.

7. ÉTAPES À SUIVRE SI LA BATTERIE EST HORS DU VÉHICULE

UNE ÉTINCELLE PRÈS DE LA BATTERIE PEUT CAUSER UNE EXPLOSION. AFIN DE RÉDUIRE LE RISQUE D'ÉTINCELLES PRÈS DE LA BATTERIE :

- 7.1 Vérifier la polarité des bornes de la batterie. La borne POSITIVE (POS, P, +) de la batterie est habituellement d'un diamètre supérieur à la borne NÉGATIVE (NEG, N, -).
- 7.2 Raccorder un câble de batterie isolé d'au moins 24 po (61 cm) de calibre 6 (AWG) (13 mm²) à la borne NÉGATIVE (NEG, N, -) de la batterie.
- 7.3 Brancher la pince POSITIVE (ROUGE) du panneau solaire à la borne POSITIVE (POS, P, +) de la batterie.
- 7.4 Se placer et l'extrémité du câble raccordé au préalable à la borne NÉGATIVE (NEG, N, -) de la batterie aussi loin que possible de la batterie, puis brancher la pince NÉGATIVE (NOIRE) du panneau solaire à l'extrémité du câble.
- 7.5 Ne pas faire face à la batterie lors de ce dernier raccordement.
- 7.6 Au moyen du connecteur rapide, brancher les pinces au panneau solaire.
- 7.7 Lors du débranchement, toujours procéder en sens inverse des procédures de branchement et couper la première connexion le plus loin de la batterie possible.
- 7.8 Un bateau (marin) de la batterie doit être retirée et maintenu ou chargée sur le rivage. Afin de maintenir ou de charge qu'il bord nécessite un équipement spécialement conçu pour un usage marin.

8. ASSEMBLAGE ET MONTAGE

- 8.1 Enlever toutes les attaches des câbles et les dérouler avant d'utiliser le panneau solaire.
- 8.2 Les quatre inclus coussinets peuvent être montés sur les coins de la responsable de panneaux solaires pour aider à accroître la dissipation de la chaleur (voir figure 1).
- 8.3 Pour monter le soutien du panneau solaire (dans un endroit sec du sol) :
 1. Placez le panneau solaire sur une surface plane et propre.
 2. Placez les quatre supports de montage en plastique à l'endroit désiré et faire tourner chaque un 90 °. Serrer les supports de montage à l'aide d'un tournevis plat (voir figure 2).
 3. Tournez le côté droit du panneau solaire et, en utilisant les supports de montage comme guide, marquer et percer quatre trous de fixation sur une surface stable et plane et monter le panneau solaire avec les quatre vis en acier inoxydable fournies.

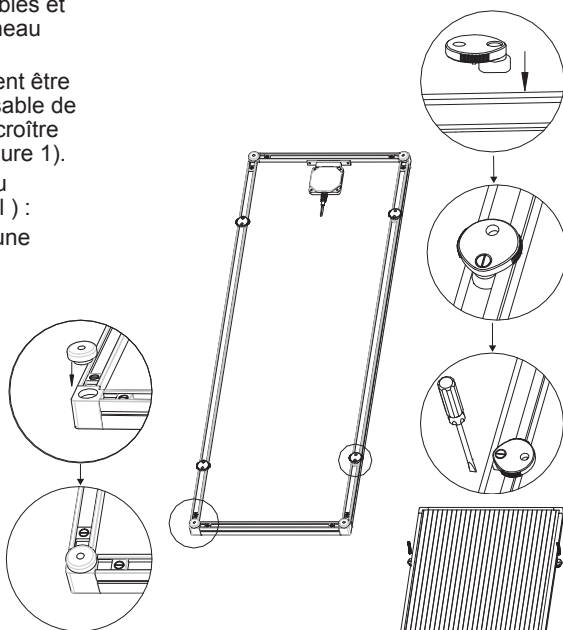
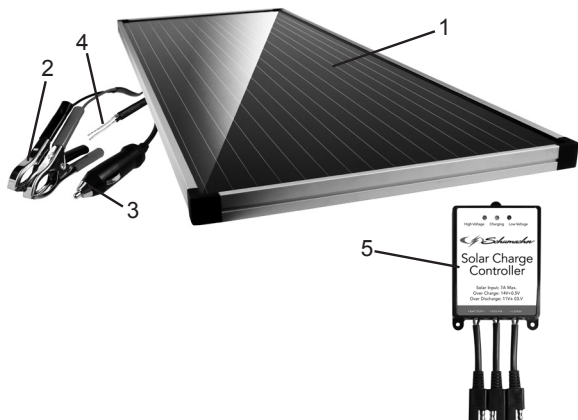


Fig. 1

Fig. 2

REMARQUE : Ne pas trop serrer les vis, car cela pourrait casser le cadre en plastique du panneau solaire.

9. CARACTÉRISTIQUES



1. Panneau solaire
2. Branchement rapide de la batterie 50 Amp cable clip assemblée
3. Branchement rapide 12 V accessoire plug cable assemblée
4. Assemblée étamé câble
5. Contrôleur de charge
6. Supports de montage en plastique (4) (pas montré)
7. De dissipation de chaleur coussinets (4) (pas montré)
8. Vis de montage (4) (pas montré)

10. UTILISER LE RÉGULATEUR DE CHARGE SOLAIRE

Le régulateur de charge solaire ou régulateur de charge est conçu pour protéger les piles de la surcharge et décharge excessive lorsqu'il est chargé par le panneau solaire. Le contrôleur fonctionne automatiquement assurer la batterie est complètement chargée et garder la batterie complètement chargée, sans dommages à la batterie.

AVERTISSEMENT : Connecter et déconnecter les batteries au plomb que lorsque le panneau solaire et de la charge.

- Ne pas dépasser les cotes d'entrée maximale.
- Ne pas connecter par erreur la batterie, panneau solaire et de la charge, car cela pourrait provoquer l'inversion de polarité. Éviter le contact avec l'eau.
- Utilisez uniquement avec les batteries 12V. Nne connectez pas avec des batteries endommagées.

Suivez ces instructions :

1. Connecter le panneau solaire, batterie rechargeable 12 V et d'application (le cas échéant), comme le montre l'illustration. Toujours connecter la batterie en premier.
2. Lorsque le panneau solaire est relié au régulateur de charge solaire, la charge (jaune) s'allume pour montrer que la

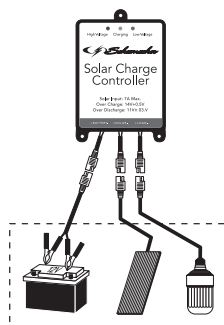
batterie rechargeable de 12 V reçoit une charge à partir du panneau solaire.

REMARQUE : il est normal que le voyant vert et jaune à clignoter avant et en arrière pendant le fonctionnement normal.

Le régulateur de charge fournit les protections suivantes pour l'ensemble du système :

- Charge : Lorsque la recharge (jaune) est allumé, le régulateur est en charge de la batterie.
- Plus de la décharge de protection : lorsque la tension faible (rouge) est allumé, le régulateur de charge s'éteindra puissance pour éviter d'endommager la batterie.
- Protection contre les surcharges : quand la haute tension (vert) est allumé, le régulateur s'éteint entrée d'alimentation de panneau solaire à la batterie.

Le régulateur solaire peut être monté à travers ses trois trous de montage.



11. MODE D'EMPLOI

AVERTISSEMENT : Ce panneau solaire doit être adéquatement assemblé conformément aux directives avant son utilisation.

Le panneau solaire ne comporte pas d'interrupteur. Il est activé ou désactivé en plaçant le panneau solaire au soleil seulement après l'avoir raccordé à la batterie.

Il FAUT débrancher le panneau solaire de la prise d'alimentation 12 V ou de la batterie avant de faire démarrer le moteur ou de conduire le véhicule. Des pointes de courant de l'alternateur au démarrage ou durant le fonctionnement peuvent endommager le panneau solaire.

REMARQUE : Les clips et prise 12 V de sortie son toujours vivant.

MAINTENU OU CHARGE D'UNE BATTERIE

1. Veiller à ce que tous les composants du dispositif d'entretien de batterie solaire soient en place et en bon état de fonctionnement. Par exemple, assurez-vous que les botes en plastique sont sur les clips de la batterie.
 2. Décidez si vous allez utiliser la fiche 12 volts ou accessoires les 50 clips de la batterie AMP pour relier le contrôleur solaire pour le véhicule. Branchez le câble approprié pour le contrôleur solaire, en s'assurant que la connexion est sécurisée.
- Si vous utilisez la prise 12 volts, branchez le connecteur dans la prise électrique du véhicule en s'assurant que la connexion est sécurisée.
 - Si vous utilisez les 50 clips de la batterie ampli, les brancher à la batterie en observant les précautions données aux sections 6 et 7.

3. Placer le panneau solaire au soleil. Pour obtenir le rendement optimal du dispositif d'entretien de batterie solaire, orienter l'avant du panneau solaire (verre) vers le soleil en veillant à ce que le tableau de bord ou d'autres objets dans le véhicule ne projettent pas d'ombre dessus. L'orientation idéale est de placer le panneau solaire dans l'axe nord-sud et adéquatement incliné. L'angle optimal est le même que la latitude locale.
4. Pour débrancher, procéder en sens inverse.

L'appareil Schumacher SP-1500 maintient la charge des batteries de 12 volts à pleine capacité. Pour l'entretien de la charge d'une batterie, il est conseillé d'utiliser le dispositif d'entretien de batterie solaire. Toutefois, l'utilisation de ce dispositif d'entretien de batterie solaire pour charger une batterie, peut entraîner une perte de capacité de la batterie. Cela pourrait empêcher la batterie de maintenir sa charge et la rendre inutilisable. Par conséquent, nous déconseillons l'utilisation de cet appareil pour recharger une batterie.

REMARQUE : La technologie de mode d'entretien permet de maintenir une batterie en bon état sans danger pour de longues périodes. Cependant, des problèmes dans la batterie ou des troubles électriques dans le véhicule, comme une mauvaise connexion ou d'autres conditions non anticipées, peuvent produire une consommation de courant excessive. Il est donc préconisé de surveiller occasionnellement la batterie et le processus d'entretien.

UTILISATION DE LA CONNEXION RAPIDE ASSEMBLAGES DE CÂBLES

Connectez l'une des deux assemblées câble de sortie au régulateur de charge solaire. Ne pas placer le régulateur solaire sur sol mouillé, à un endroit où l'on pourrait marcher dessus accidentellement ni dans un endroit ou une position d'où il pourrait tomber durant l'utilisation. Ne jamais utiliser les câbles de sortie ensemble ou pour d'autres applications, comme l'inversion de polarité et / ou des conditions de surcharge se produit.

BATTERIE 50 AMP CABLE CLIP ASSEMBLÉE

1. Branchez l'autre extrémité du câble de sortie régulateur de charge solaire pour la fin de la batterie 50 ampères attache-câbles.
2. Suivre les étapes des sections 6 et 7 pour brancher les pinces à la batterie.
3. Après une bonne connexion électrique est faite aux batteries, placer le panneau solaire au soleil, selon les instructions dans étape 4 de la section *Emplacement Panneau Solaire*.

12 V ACCESSOIRE PLUG CABLE ASSEMBLÉE

Elle permet de faire l'entretien de la batterie sans ouvrir le capot.

1. Branchez l'autre extrémité du câble 12V prise accessoire du régulateur de charge solaire.
2. Insérer la fiche dans la prise d'alimentation 12 V du véhicule.
3. Acheminer le cordon d'alimentation du dispositif d'entretien de batterie solaire par une fenêtre ouverte du véhicule.
4. Placer le panneau solaire au soleil conformément aux directives de l'étape 3 du *Mode d'Emploi*.

12. ENTRETIEN

- 12.1 Après utilisation et avant d'effectuer la maintenance, déconnecter et débrancher le panneau solaire (voir les sections 6, 7 et 8).
- 12.2 Avec un chiffon sec, essuyer toute la corrosion, la saleté ou l'huile des pinces de batterie, des câbles et du panneau solaire.
- 12.3 Le panneau solaire est composé d'un substrat de verre ; le manipuler avec soin.
- 12.4 Toujours garder la surface du panneau solaire propre avec un chiffon propre afin de garantir le rendement maximal.
- 12.5 Veiller à ce que tous les composants du panneau solaire sont en place et en bon état de fonctionnement, par exemple, les gaines de caoutchouc des pinces de batterie.
- 12.6 Il n'est pas nécessaire d'ouvrir l'appareil pour en faire l'entretien ; il ne contient aucune pièce réparable par l'utilisateur.
- 12.7 Tout autre entretien doit être effectué par un technicien qualifié.

13. DÉPLACEMENT ET RANGEMENT

- 13.1** Ranger le panneau solaire débranché à la verticale.
- 13.2** Ranger à l'intérieur dans un endroit frais et sec.
- 13.3** Ne pas ranger les pinces accrochées ensemble, sur une pièce métallique ou sur les câbles.
- 13.4** Si le panneau solaire est déplacé dans l'atelier ou transporté à un autre endroit, éviter d'endommager les câbles, les pinces ou le dispositif d'entretien de batterie solaire. Sinon, cela pourrait causer des blessures corporelles ou des dommages matériels.

14. SI DES RÉPARATIONS SONT NÉCESSAIRES

- 14.1** Lorsqu'un problème maintenir ou recharge surgit, assurez-vous que la batterie est capable d'accepter une charge normale. Vérifiez toutes les connexions, les clips de panneaux solaires pour la polarité et la qualité des connexions des câbles aux clips et des clips à la batterie. Les clips doivent être propres.
- 14.2** Si la batterie est très froide, partiellement chargée ou sulfatée, elle ne pourra pas recevoir tout le courant nominal produit par le panneau solaire. C'est dangereux et dommageable pour la batterie de forcer dans la batterie un courant supérieur à ce qu'elle peut efficacement utiliser pour la recharge.
- 14.3** Si un PROBLÈME DE FONCTIONNEMENT INCONNU se produit, la lecture du manuel au complet ou un appel au service à la clientèle afin d'obtenir de l'information permet habituellement d'éliminer le besoin de retourner le produit.

Si ces solutions ne permettent pas d'éliminer le problème, ou pour plus d'informations sur le dépannage, contacter le service technique au :

services@schumacherelectric.com

www.batterychargers.com

ou composez le 1-800-621-5485

Du lundi au Vendredi 07h00-17h00 CST

Pour **RÉPARATION OU RETOUR**, contactez le service technique au 1-800-621-5485. **NE PAS ENVOYER L'UNITÉ** jusqu'à ce que vous receviez une **AUTORISATION DE RETOUR DE MARCHANDISE (RMA)** auprès du service clientèle au Schumacher Electric Corporation.

15. SPÉCIFICATIONS

Puissance maximale	15 watts
Essai sous des conditions normales	AM1,5, 100 mW / cm ² , 25 °C
Tension en circuit fermé optimale	17,50 V
Courant en circuit fermé optimal	850 mA
Température de fonctionnement	-40 ° F à 185 ° F (-40 ° C à 85 ° C)

16. GARANTIE LIMITÉE

CETTE GARANTIE N'EST PAS VALIDE AU MEXIQUE.

SCHUMACHER ELECTRIC CORPORATION, 801 BUSINESS CENTER DRIVE, MOUNT PROSPECT, IL 60056-2179, OFFRE CETTE GARANTIE LIMITÉE À L'ACHETEUR AU DÉTAIL ORIGINAL DE CE PRODUIT. CETTE GARANTIE LIMITÉE N'EST PAS TRANSFÉRABLE NI CESSIBLE.

Schumacher Electric Corporation (le « fabricant ») garantit ce panneau solaire pour une période d'un (1) an à compter de la date d'achat au détail pour tout défaut de matériau ou de fabrication qui peut se présenter dans des conditions normales d'utilisation et d'entretien. Si votre appareil n'est pas exempt de défauts de matériau ou de fabrication, l'obligation du fabricant en vertu de cette garantie est uniquement de réparer ou de remplacer ce produit par un appareil neuf ou remis à neuf, au gré du fabricant. L'acheteur est tenu de faire parvenir l'appareil avec preuve d'achat et affranchir les frais d'expédition au Fabricant ou à ses représentants autorisés, afin qu'une réparation ou un remplacement puisse avoir lieu.

Le fabricant n'offre aucune garantie pour tout accessoire utilisé avec ce produit qui n'est pas fabriqué par Schumacher Electric Corporation ou dont l'utilisation avec cet appareil n'est pas approuvée. Cette garantie limitée est nulle et sans valeur si le produit est mal utilisé, soumis à une manipulation négligente, réparé ou modifié par quiconque autre que le fabricant ou si cet appareil est revendu par un marchand non autorisé.

Le fabricant n'offre aucune autre garantie, y compris et sans s'y limiter, des garanties expresses, implicites ou statutaires, y compris et sans s'y limiter, toute garantie implicite quant à la qualité marchande ou à l'adéquation du produit à une fin particulière. De plus, le fabricant ne peut pas être tenu responsable de tout dommage accidentel, spécial ou indirect réclamé par l'acheteur, l'utilisateur ou toute autre personne associée à ce produit, y compris et sans s'y limiter, la perte de profits, de revenus, de ventes prévues, d'occasions d'affaires, de bonne volonté, d'interruption des activités ou de toute autre blessure ou dommage. Toute telle garantie autre que la garantie limitée ci-dessus est par les présentes rejetée et exclue. Certains États ou certaines provinces n'autorisent pas l'exclusion ou la limitation des dommages accidentels ou indirects ou la durée de la garantie implicite; les limites et exclusions ci-dessus pourraient ne pas s'appliquer dans votre cas. Cette garantie vous confère des droits juridiques particuliers et il est possible que vous puissiez avoir des droits différents de ceux conférés par cette garantie.

CETTE GARANTIE LIMITÉE EST LA SEULE GARANTIE LIMITÉE EXPRESSE ET LE FABRICANT N'ASSUME PAS ET N'AUTORISE PERSONNE À ASSUMER OU À OFFRIR D'AUTRES OBLIGATIONS CONCERNANT CE PRODUIT AUTRE QUE LA PRÉSENTE GARANTIE.

Schumacher® et le logo Schumacher sont des marques déposées de Schumacher Electric Corporation.

WARRANTY CARD / TARJETA DE GARANTÍA

SAVE ON POSTAGE! ACTIVATE YOUR WARRANTY ONLINE – THE QUICK AND EASY WAY!

Go to www.batterychargers.com to register your product online.

(No internet access? Send in the completed warranty card.)



1 YEAR LIMITED
WARRANTY PROGRAM
REGISTRATION

MODEL: _____ **DESCRIPTION:** _____

This is the only express limited warranty, and the manufacturer neither assumes nor authorizes anyone to assume or make any other obligation. There is no other warranty, other than what is described in the product owner's manual.

The warranty card should be submitted within 30 days of purchase. The customer must keep the ORIGINAL receipt because it will be required for any warranty claims.

This warranty is not transferable. Send warranty card only.

DO NOT SEND UNIT TO THIS ADDRESS FOR REPAIR.

Mail this card to: Schumacher Electric Corporation
801 Business Center Drive
Mount Prospect, IL 60056-2179

Name _____

Street Address _____

City _____ State _____ Zip Code _____

Phone _____ Email _____

Store Name Where Purchased _____ Date of Purchase _____

Store Location _____ UPC Number _____

Serial Number _____ (SEE PRODUCT)

For faster warranty activation, go to www.batterychargers.com to register your product online.

¡AHORRE EN EL ENVÍO! ¡ACTIVE SU GARANTÍA EN LÍNEA-LA FORMA MAS RÁPIDA Y FÁCIL!

Visite nuestra página en www.batterychargers.com para registrar su producto en línea.

(¿No tiene acceso al internet? Llene la tarjeta de garantía y envíela.)



PROGRAMA DE REGISTRO
DE 1 AÑO DE GARANTÍA
LIMITADA

MODELO: _____ **DESCRIPCIÓN:** _____

Esta es la única garantía limitada expresa, y el productor no autoriza ni otorga a alguien a realizar alguna otra obligación. No existe ninguna otra garantía más que la descrita en el manual del dueño.

La tarjeta de garantía debe enviarse durante los primeros 30 días después de la compra. El cliente debe mantener el recibo de compra ORIGINAL como comprobante, el cual le otorga todo derecho a cualquier reclamo de garantía.

Esta garantía no es transferible. Envíe tarjeta de garantía solamente.

NO ENVÍE LA UNIDAD A ESTA DIRECCIÓN PARA SU REPARACIÓN.

Enviar esta tarjeta a: Schumacher Electric Corporation
801 Business Center Drive
Mount Prospect, IL 60056-2179

Nombre _____

Dirección _____

Ciudad _____ Estado _____ C.P. _____

Tel: _____ Correo electrónico _____

Nombre de la Tienda donde se Compró _____ Fecha de compra _____

Localización de la Tienda _____ Numero de Serie _____

Código de barras _____ (CONSULTE EL PRODUCTO)

Para una activación más rápida, visite nuestra página de internet en www.batterychargers.com

CARTE DE GARANTIE

**PAS BESOIN DE VOIE POSTAL ! ACTIVEZ VOTRE GARANTIE SUR INTERNET –
LA VOIE PLUS RAPIDE ET FACILE! Aller sur www.batterychargers.com pour enregistrer
votre produit en ligne. (Pas d'accès internet? Envoyer la carte de garantie par poste.)**



INSCRIPTION AU
PROGRAMME DE GARANTIE
LIMITÉE DE 1 AN

MODÈLE : _____ **DESCRIPTION :** _____

Ceci représente la seule garantie limitée expresse, et le fabricant n'accepte ni autorise qui que ce soit d'assumer ou de prendre toute autre obligation. Il n'existe aucune autre garantie que celle décrite dans le manuel du propriétaire du produit.

La carte de garantie doit être soumise dans les 30 jours suivant l'achat.

Le client doit retenir le reçu de caisse ORIGINAL puisqu'il sera requis pour une éventuelle réclamation au titre de la garantie. Cette garantie n'est pas transférable.

Envoyer la carte de garantie seulement.

NE PAS ENVOYER L'UNITÉ À CETTE ADRESSE POUR RÉPARATION.

Envoyer cette carte à : **Schumacher Electric Corporation
801 Business Center Drive
Mount Prospect, IL 60056-2179 (É.-U)**

Nom _____

Adresse _____

Ville _____ Prov _____ Code postal _____

Tél : _____ Courriel _____

Nom du magasin où vous avez acheté le produit _____ Date de l'achat _____

Emplacement du magasin _____ Numéro CUP _____

Numéro de série _____ (VOIR PRODUIT)

Pour l'activation rapide de garantie, aller sur www.batterychargers.com pour enregistrer votre produit en ligne.