

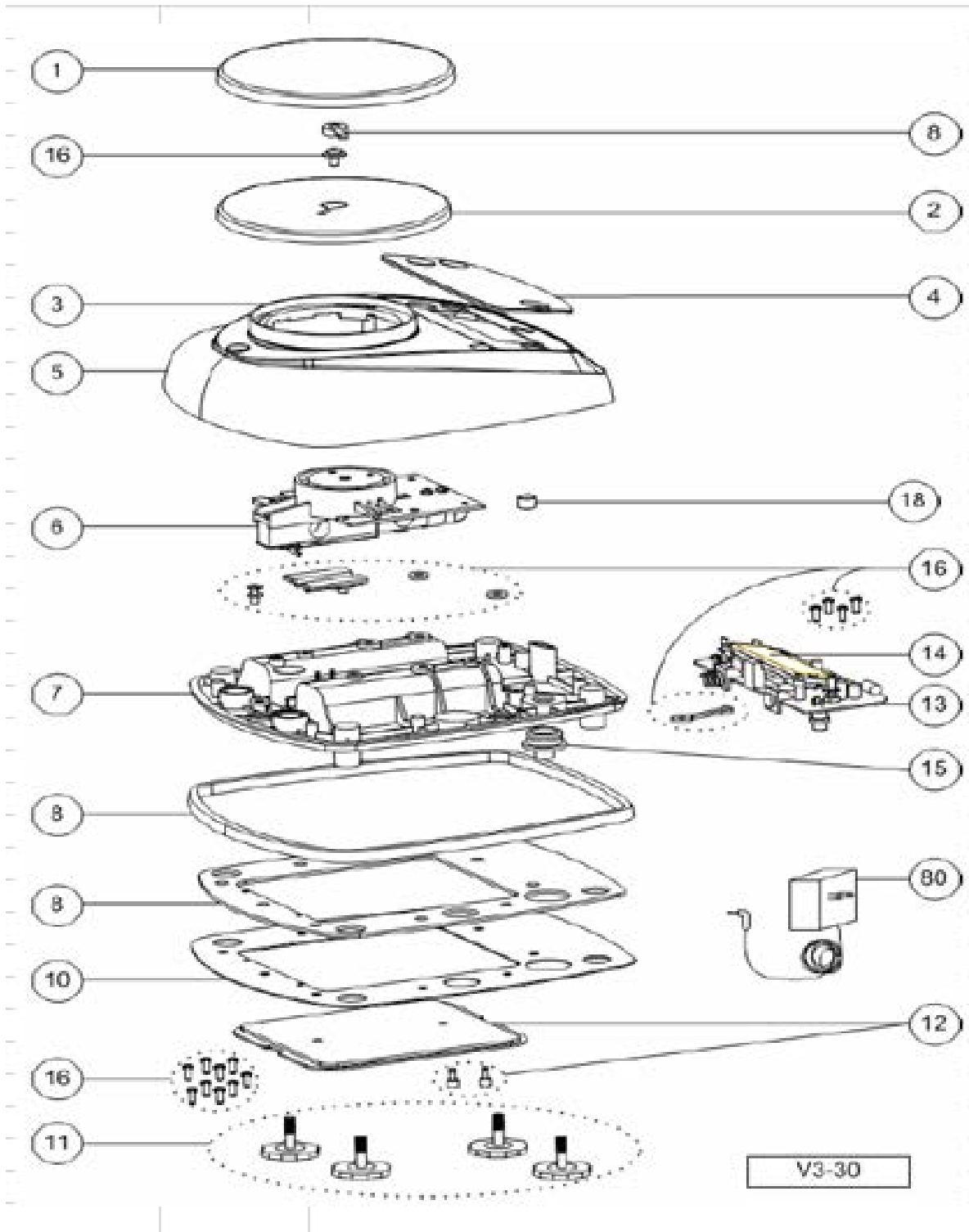


**Service Parts List**

**Click on the model being serviced**

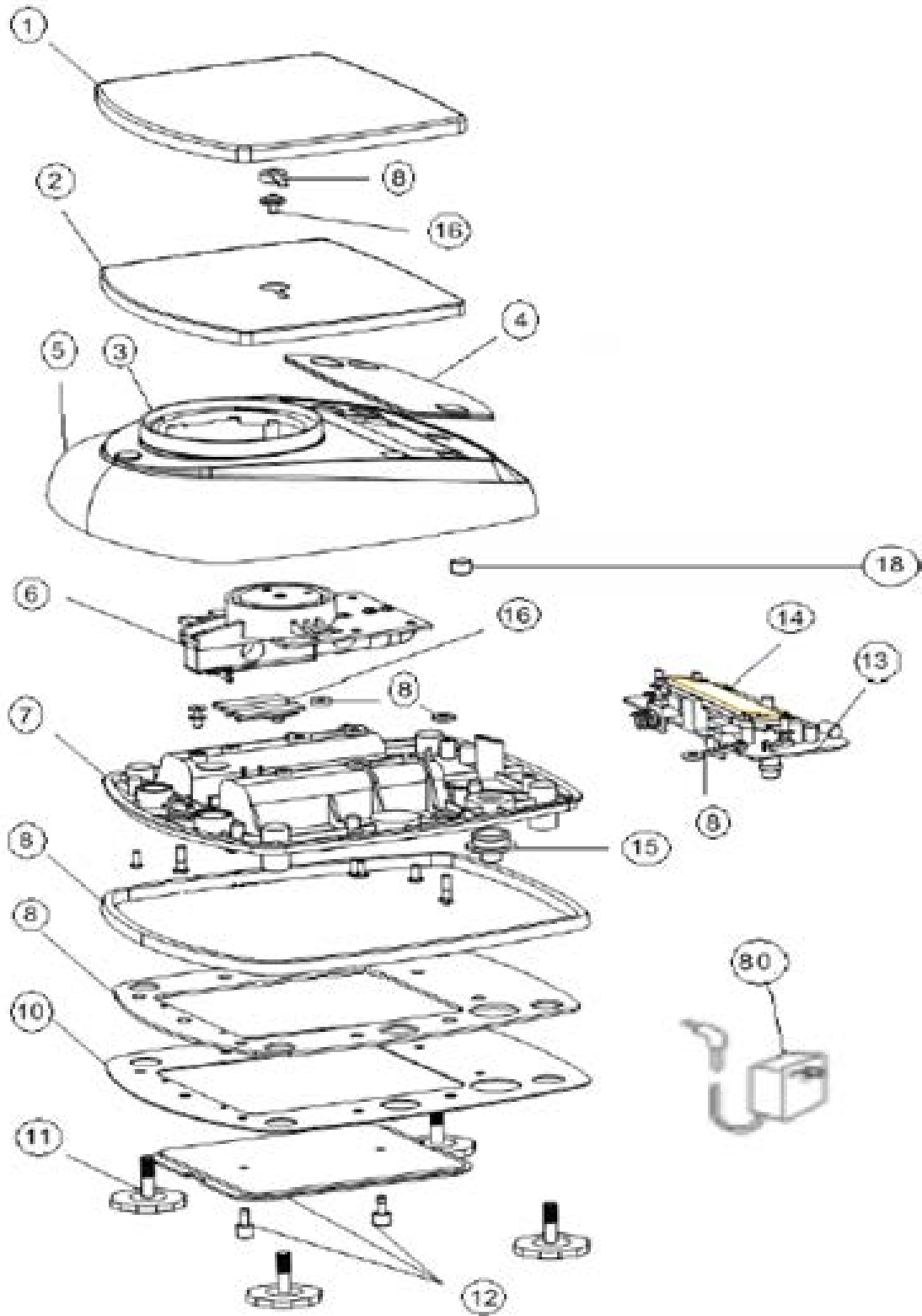
<a href="#"><u>V31XH202</u></a> <a href="#"><u>V31XH202JP</u></a>	<a href="#"><u>V31XH4</u></a> <a href="#"><u>V31XH2</u></a> <a href="#"><u>V31XH2JP</u></a>
<a href="#"><u>V31X3</u></a> <a href="#"><u>V31X3JP</u></a>	<a href="#"><u>V31X6</u></a> <a href="#"><u>V31X6JP</u></a>
<a href="#"><u>V31XW301</u></a> <a href="#"><u>V31XW301JP</u></a>	<a href="#"><u>V31XW301-M</u></a>
<a href="#"><u>V31XW6</u></a> <a href="#"><u>V31XW6JP</u></a>	<a href="#"><u>V31XW6-M</u></a>  <a href="#"><u>V31XW3-M</u></a>  <a href="#"><u>V31XW6-N</u></a>
<a href="#"><u>V31XW3</u></a> <a href="#"><u>V31XW3JP</u></a>	<a href="#"><u>V31XW3-N</u></a>

**Note: in one box, all models are saring same spare part list**



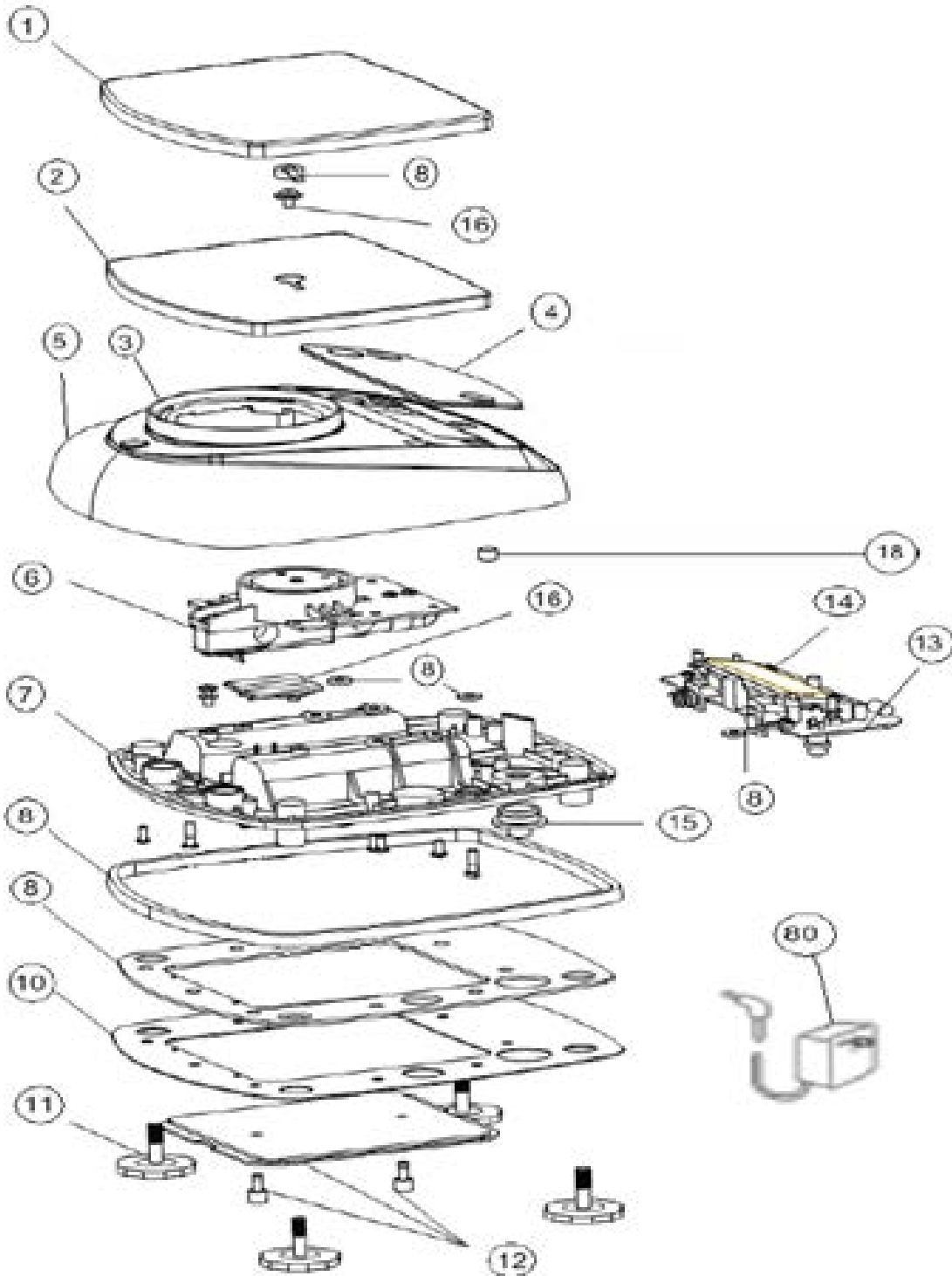
Part numbers are subject to change without notice.

Drawing Item	Part Number	Description
1	72203367	Pan, Round,120mm, V31
2	72203365	Pan Support Round, V31
3	72203456	Plastic insert Non-IP,V31
4	72203378	Function Label, Xtreme no Level, V31
4	72218673	Function Label, Xtreme, V31
4	72219335	Function Label, Xtreme, V31, JP
5	72203383	Hsg, Top, IP Models, No Labels, V31
6	72203361	Loadcell,200g, V31
7	72203381	Hsg, Bottom, V31
8	72203454	Seal Kit, Housing, V31
10	72203380	Hsg, Bottom Plate, No LFT, V31
11	71172939	Feet,4, Adjustable, FD, V31,V51
12	72203374	Battery Cover,Seal and Screws, V31
13	72203369	PCB, Main, Hi Resolution, V31
14	72203360	LCD w/Backlight, V31
15	72203453	Seal, AC Adapter, V31
16	72203451	Hardware Kit, V31
18	71160413	Level, Bubble, ScoutPro, V31
NS	72203375	Box, V31
NS	72203449	Pkg, Complete, V31
NS	80251227	Manual, Instr., DE,EN,ES,FR,IT_V31
NS	72203450	Service Interface, V31
NS	72217446	PCB Rubber Washer, V31
80	46001803	PWR,W,IN,10W,12VDC,A25x55x9x100,L
80	46001780	Plug set, AU/US/EU/UK

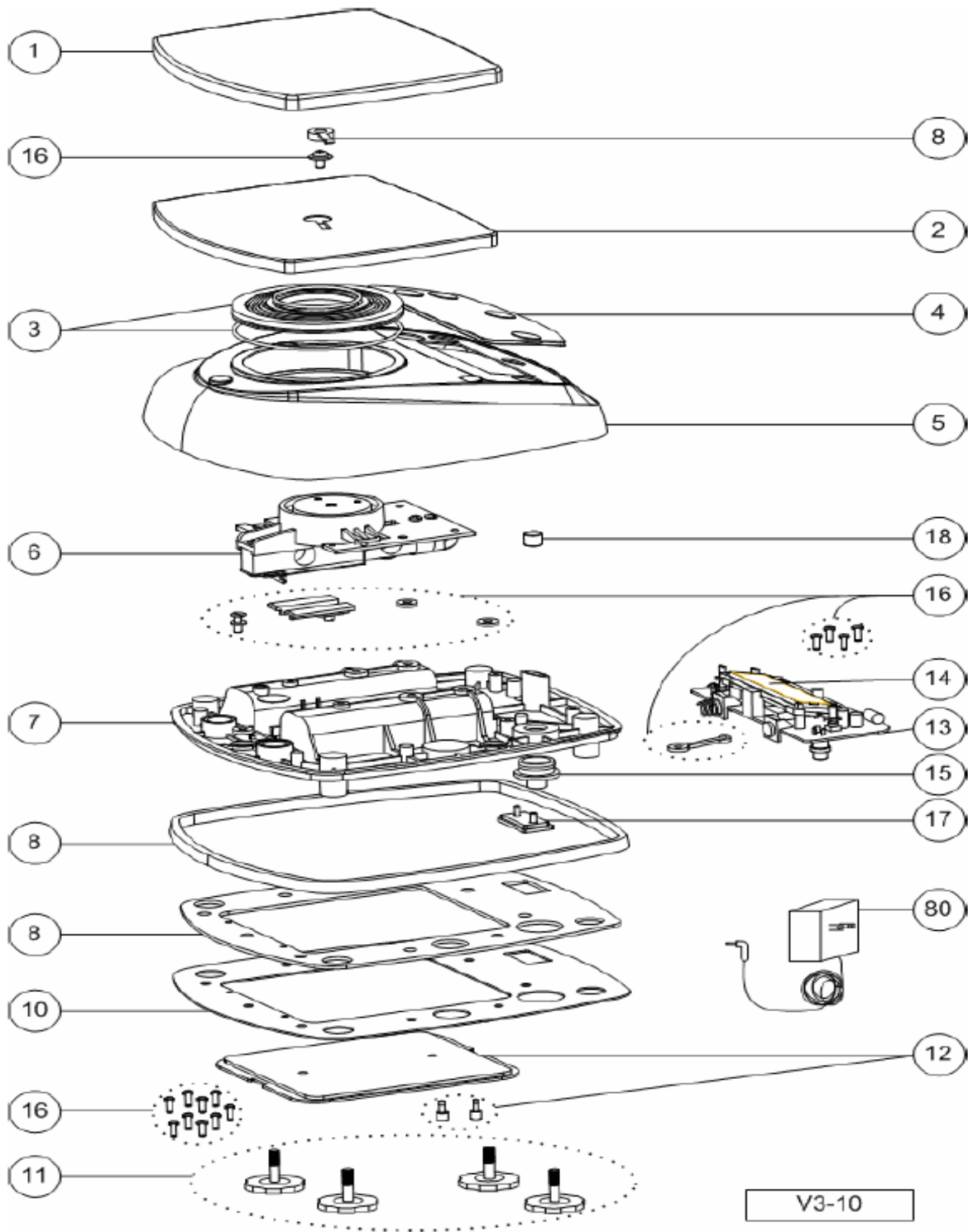


Part numbers are subject to change without notice.

Drawing Item	Part Number	Description
1	72203368	Pan, Square,146mm x 158mm V31
2	72203366	Pan Support Square, V31
3	72203456	Plastic insert Non-IP,V31
4	72203378	Function Label, Xtreme no Level, V31
4	72218673	Function Label, Xtreme, V31
4	72219335	Function Label, Xtreme, V31, JP
5	72203382	Hsg, Top, Ex IP Model,No Labels,V31
6	72203364	Loadcell,6000g, V31
7	72203381	Hsg, Bottom, V31
8	72203454	Seal Kit, Housing, V31
10	72203380	Hsg, Bottom Plate, No LFT, V31
11	71172939	Feet,4, Adjustable, FD, V31,V51
12	72203374	Battery Cover,Seal and Screws, V31
13	72203369	PCB, Main, Hi Resolution, V31
14	72203360	LCD w/Backlight, V31
15	72203453	Seal, AC Adapter, V31
16	72203451	Hardware Kit, V31
18	71160413	Level, Bubble, ScoutPro, V31
NS	72203375	Box, V31
NS	72203449	Pkg, Complete, V31
NS	80251227	Manual, Instr., DE,EN,ES,FR,IT_V31
NS	72203450	Service Interface, V31
NS	72217446	PCB Rubber Washer, V31
80	46001803	PWR,W,IN,10W,12VDC,A25x55x9x100,L
80	46001780	Plug set, AU/US/EU/UK



<u>Drawing Item</u>	<u>Part Number</u>	<u>Description</u>
1	72203368	Pan, Square,146mm x 158mm V31
2	72203366	Pan Support Square, V31
3	72203456	Plastic insert Non-IP,V31
4	72203378	Function Label, Xtreme no Level, V31
4	72218673	Function Label, Xtreme, V31
4	72219335	Function Label, Xtreme, V31, JP
5	72203382	Hsg, Top, Ex IP Model,No Labels,V31
6	72203363	Loadcell,10kg, V31
7	72203381	Hsg, Bottom, V31
8	72203454	Seal Kit, Housing, V31
10	72203380	Hsg, Bottom Plate, No LFT, V31
11	71172939	Feet,4, Adjustable, FD, V31,V51
12	72203374	Battery Cover,Seal and Screws, V31
13	72203370	PCB, Main, Low Resolution, V31
14	72203360	LCD w/Backlight, V31
15	72203453	Seal, AC Adapter, V31
16	72203451	Hardware Kit, V31
18	71160413	Level, Bubble, ScoutPro, V31
NS	72203375	Box, V31
NS	72203449	Pkg, Complete, V31
NS	80251227	Manual, Instr., DE,EN,ES,FR,IT_V31
NS	72203450	Service Interface, V31
NS	72217446	PCB Rubber Washer, V31
80	46001803	PWR,W,IN,10W,12VDC,A25x55x9x100,L
80	46001780	Plug set, AU/US/EU/UK

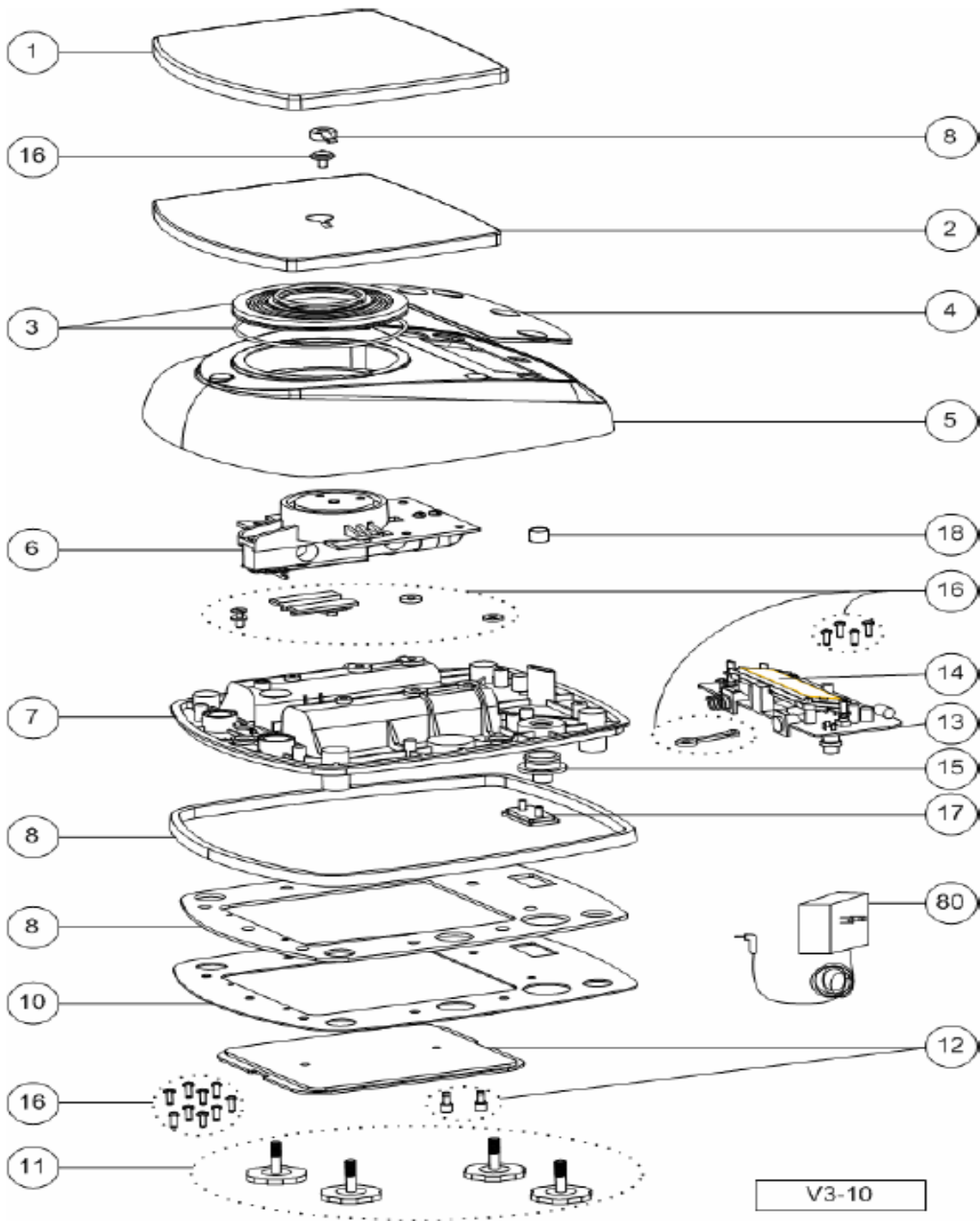


Part numbers are subject to change without notice.



Drawing Item	Part Number	Description
1	72203368	Pan, Square,146mm x 158mm V31
2	72203366	Pan Support Square, V31
3	72203452	Load Cell Seal Kit, IP Models, V31
4	72203377	Function Label, Xtreme W, V31
4	72219334	Function Label, Xtreme, W V31, JP
5	72203383	Hsg, Top, IP Models, No Labels, V31
6	72203362	Loadcell,400g, V31
7	72203381	Hsg, Bottom, V31
8	72203454	Seal Kit, Housing, V31
10	72203379	Hsg, Bottom Plate, LFT, V31
11	71172939	Feet,4, Adjustable, FD, V31,V51
12	72203374	Battery Cover,Seal and Screws, V31
13	72203371	PCB, Main, OIML-NTEP, V31
14	72203360	LCD w/Backlight, V31
15	72203453	Seal, AC Adapter, V31
16	72203451	Hardware Kit, V31
17	72203455	Seal Kit, LFT, V31
18	71160413	Level, Bubble, ScoutPro, V31
NS	72203375	Box, V31
NS	72203449	Pkg, Complete, V31
NS	80251227	Manual, Instr., DE,EN,ES,FR,IT_V31
NS	72203450	Service Interface, V31
NS	72217090	Breather membrane Kit, V31
NS	72217446	PCB Rubber Washer, V31
80	46001803	PWR,W,IN,10W,12VDC,A25x55x9x100,L
80	46001780	Plug set, AU/US/EU/UK

Part numbers are subject to change without notice.



Part numbers are subject to change without notice.

Drawing Item	Part Number	Description
1	72203368	Pan, Square,146mm x 158mm V31
2	72203366	Pan Support Square, V31
3	72203452	Load Cell Seal Kit, IP Models, V31
4	72203377	Function Label, Xtreme W, V31
4	72219334	Function Label, Xtreme, W V31, JP
5	72203383	Hsg, Top, IP Models, No Labels, V31
6	72203364	Loadcell,6000g, V31
7	72203381	Hsg, Bottom, V31
8	72203454	Seal Kit, Housing, V31
10	72203379	Hsg, Bottom Plate, LFT, V31
11	71172939	Feet,4, Adjustable, FD, V31,V51
12	72203374	Battery Cover,Seal and Screws, V31
13	72203371	PCB, Main, OIML-NTEP, V31
14	72203360	LCD w/Backlight, V31
15	72203453	Seal, AC Adapter, V31
16	72203451	Hardware Kit, V31
17	72203455	Seal Kit, LFT, V31
18	71160413	Level, Bubble, ScoutPro, V31
NS	72203375	Box, V31
NS	72203449	Pkg, Complete, V31
NS	80251227	Manual, Instr., DE,EN,ES,FR,IT_V31
NS	72203450	Service Interface, V31
NS	72217090	Breather membrane Kit, V31
NS	72217446	PCB Rubber Washer, V31
80	46001803	PWR,W,IN,10W,12VDC,A25x55x9x100,L
80	46001780	Plug set, AU/US/EU/UK

Part numbers are subject to change without notice.